



(en) *Operator's Manual*

(bg) *Инструкции за експлоатация*

(cs) *Návod k obsluze*

(et) *Kasutusjuhend*

(hr) *Priručnik za operatora*

(hu) *Kezelési útmutató*

(it) *Naudojimo instrukcija*

(lv) *Operatora rokasgrāmata*

(pl) *Instrukcja obsługi*

(ro) *Manual de utilizare*

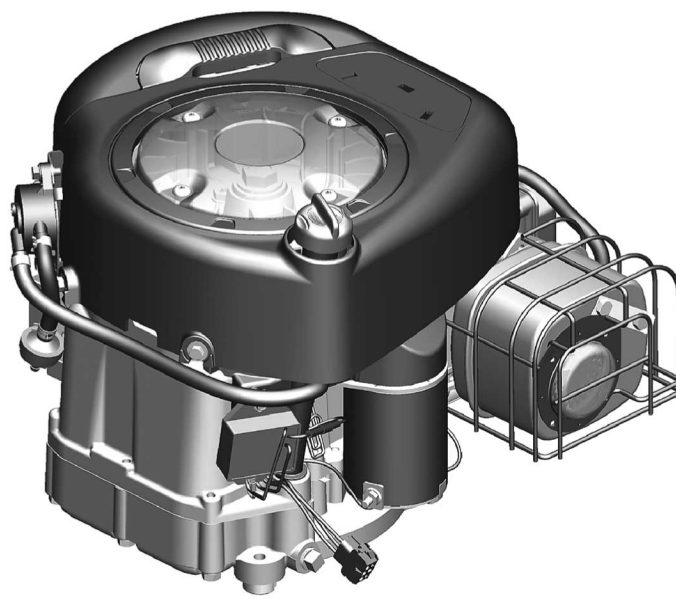
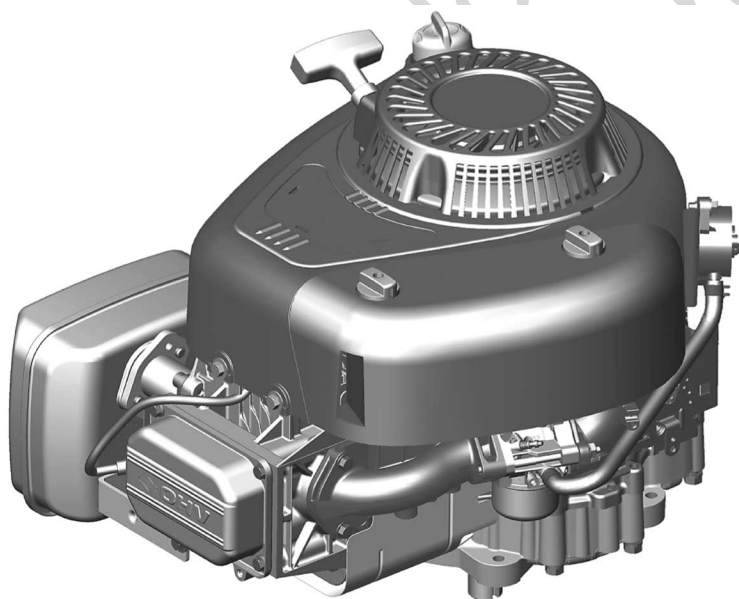
(ru) *Руководство по эксплуатации*

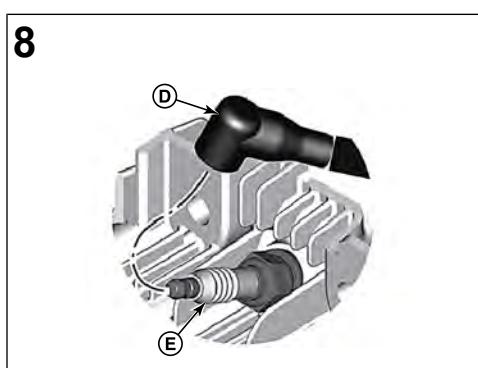
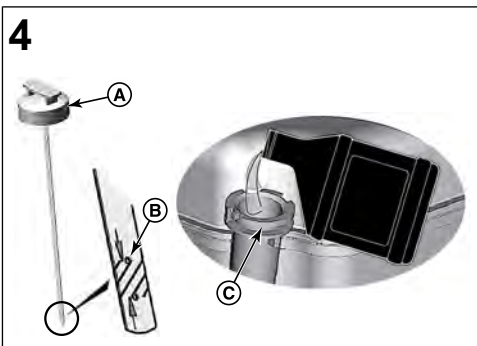
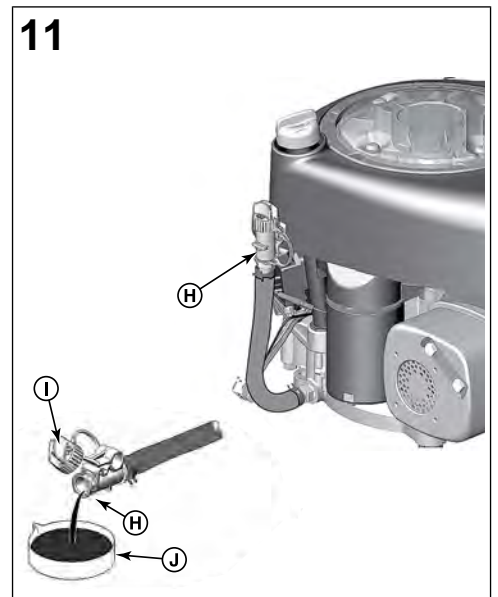
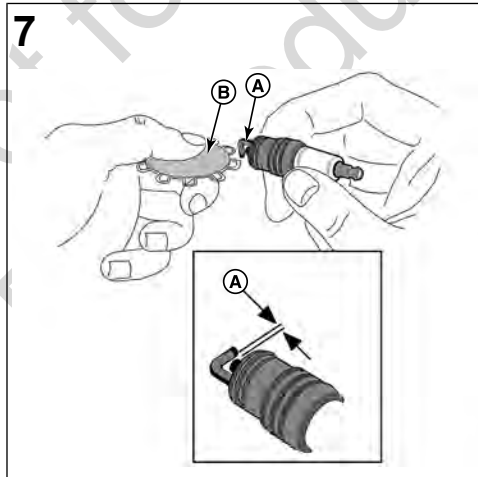
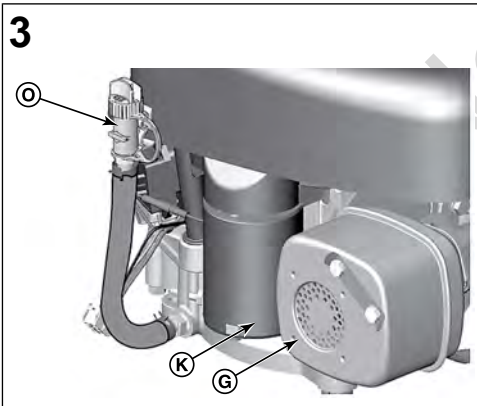
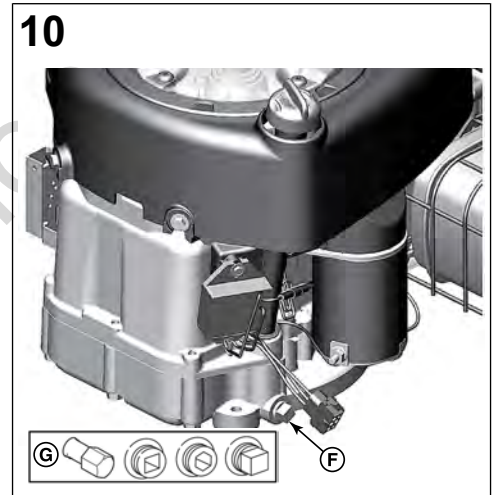
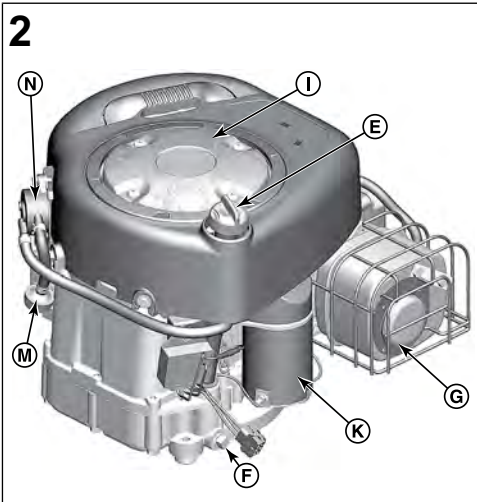
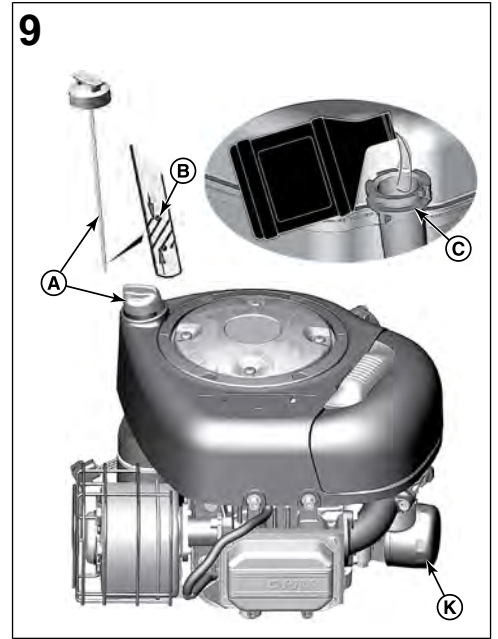
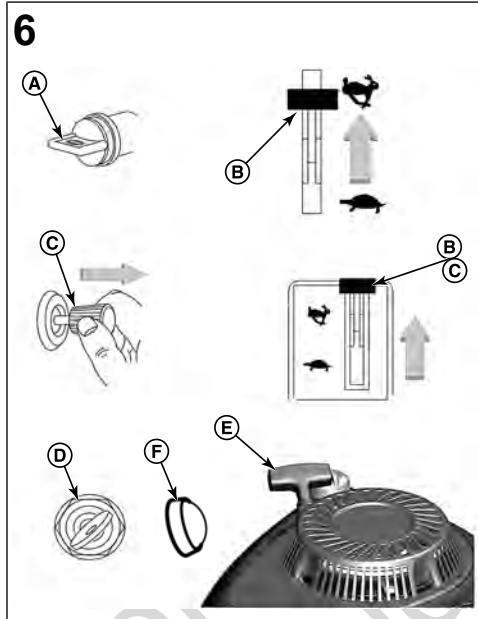
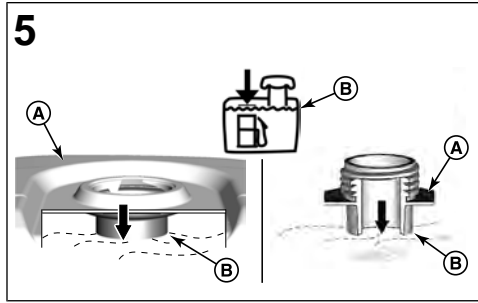
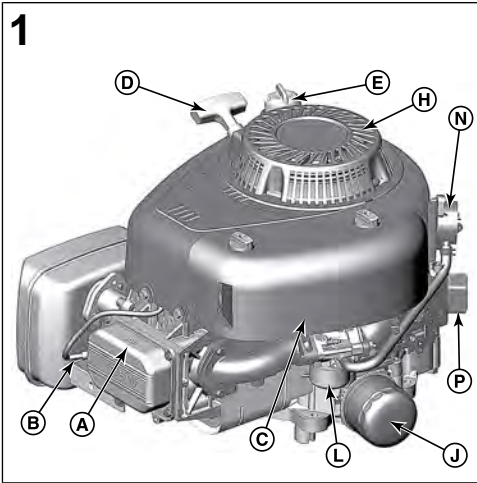
(sk) *Pokyny na obsluhu a údržbu*

(sl) *Priročnik za uporabo*

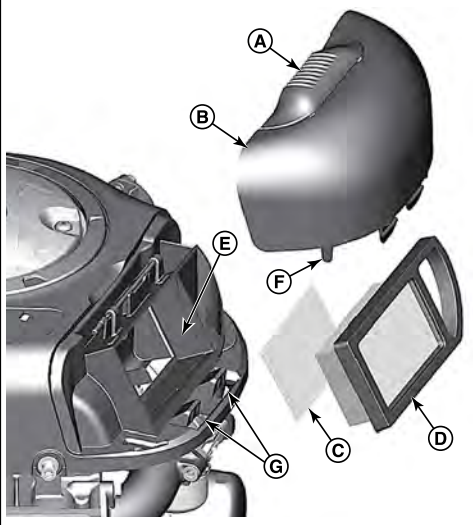
(tr) *Kullanma Kılavuz*

Models: 210000
310000

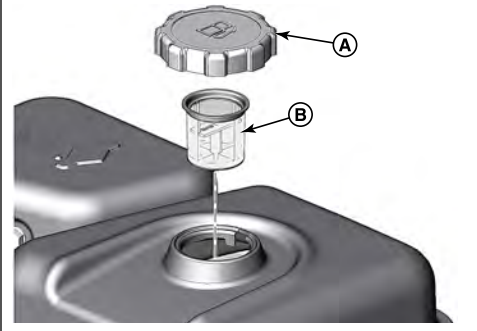




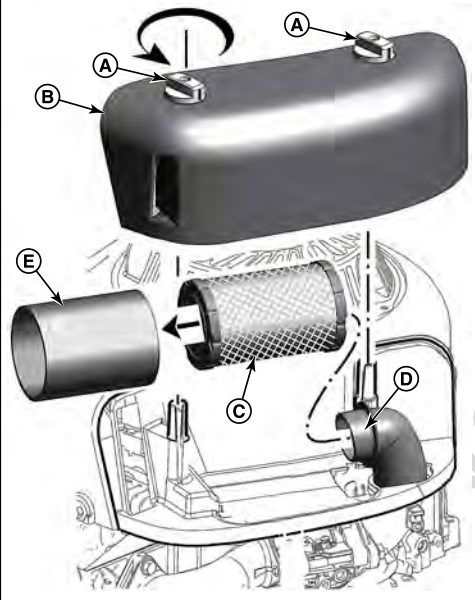
12



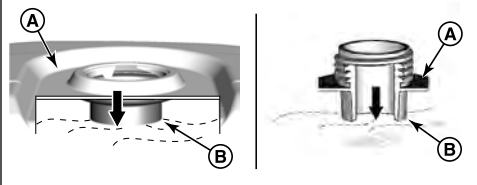
15



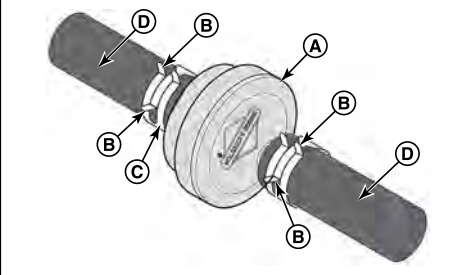
13



16



14



Not for
Reproduction

This manual contains safety information to make you aware of the hazards and risks associated with engines and how to avoid them. It also contains instructions for the proper use and care of the engine. Because Briggs & Stratton Corporation does not necessarily know what equipment this engine will power, it is important that you read and understand these instructions and the instructions for the equipment. **Save these original instructions for future reference.**

Note: The figures and illustrations in this manual are provided for reference only and may differ from your specific model. Contact your dealer if you have questions.

For replacement parts or technical assistance, record below the engine model, type, and code numbers along with the date of purchase. These numbers are located on your engine (see the **Features and Controls** section).

Date of Purchase	
Engine Model - Type - Trim	
Engine Serial Number	

Look for the 2D barcode located on some engines. When viewed with a 2D-capable device, the code will bring up our website where you can access support information for this product. Data rates apply. Some countries may not have online support information available.



Recycling Information

		All packaging, used oil, and batteries should be recycled according to applicable government regulations.
--	--	---

Operator Safety

Safety Alert Symbol and Signal Words

The safety alert symbol is used to identify safety information about hazards that can result in personal injury. A signal word (DANGER, WARNING, or CAUTION) is used with the alert symbol to indicate the likelihood and the potential severity of injury. In addition, a hazard symbol may be used to represent the type of hazard.

DANGER indicates a hazard which, if not avoided, **will result in death or serious injury.**

WARNING indicates a hazard which, if not avoided, **could result in death or serious injury.**

CAUTION indicates a hazard which, if not avoided, **could result in minor or moderate injury.**

NOTICE indicates an situation that **could result in damage to the product.**

Hazard Symbols and Meanings

Symbol	Meaning	Symbol	Meaning
	Safety information about hazards that can result in personal injury.		Read and understand the Operator's Manual before operating or servicing the unit.
	Fire hazard		Explosion hazard

Symbol	Meaning	Symbol	Meaning
	Shock hazard		Toxic fume hazard
	Hot surface hazard		Noise hazard - Ear protection recommended for extended use.
	Thrown object hazard - Wear eye protection.		Explosion hazard
	Frostbite hazard		Kickback hazard
	Amputation hazard - moving parts		Chemical Hazard
	Thermal heat hazard		Corrosive

Safety Messages



WARNING

Certain components in this product and its related accessories contain chemicals known to the State of California to cause cancer, birth defects, or other reproductive harm. Wash hands after handling.



WARNING

The engine exhaust from this product contains chemicals known to the State of California to cause cancer, birth defects, or other reproductive harm.



WARNING

Briggs & Stratton Engines are not designed for and are not to be used to power: fun-karts; go-karts; children's, recreational, or sport all-terrain vehicles (ATVs); motorbikes; hovercraft; aircraft products; or vehicles used in competitive events not sanctioned by Briggs & Stratton. For information about competitive racing products, see www.briggsracing.com. For use with utility and side-by-side ATVs, please contact Briggs & Stratton Engine Application Center, 1-866-927-3349. Improper engine application may result in serious injury or death.



WARNING



Fuel and its vapors are extremely flammable and explosive.

Fire or explosion can cause severe burns or death.

When Adding Fuel

- Turn engine off and let engine cool at least 2 minutes before removing the fuel cap.
- Fill fuel tank outdoors or in well-ventilated area.
- Do not overfill fuel tank. To allow for expansion of the fuel, do not fill above the bottom of the fuel tank neck.
- Keep fuel away from sparks, open flames, pilot lights, heat, and other ignition sources.
- Check fuel lines, tank, cap, and fittings frequently for cracks or leaks. Replace if necessary.
- If fuel spills, wait until it evaporates before starting engine.

When Starting Engine

- Ensure that spark plug, muffler, fuel cap and air cleaner (if equipped) are in place and secured.
- Do not crank engine with spark plug removed.
- If engine floods, set choke (if equipped) to OPEN / RUN position, move throttle (if equipped) to FAST position and crank until engine starts.

When Operating Equipment

- Do not tip engine or equipment at angle which causes fuel to spill.
- Do not choke the carburetor to stop engine.
- Never start or run the engine with the air cleaner assembly (if equipped) or the air filter (if equipped) removed.

When Changing Oil

- If you drain the oil from the top oil fill tube, the fuel tank must be empty or fuel can leak out and result in a fire or explosion.

When Tipping Unit for Maintenance

- When performing maintenance that requires the unit to be tipped, the fuel tank, if mounted on the engine, must be empty or fuel can leak out and result in a fire or explosion.

When Transporting Equipment

- Transport with fuel tank EMPTY or with fuel shut-off valve in the CLOSED position.

When Storing Fuel Or Equipment With Fuel In Tank

- Store away from furnaces, stoves, water heaters or other appliances that have pilot lights or other ignition sources because they can ignite fuel vapors.



Starting engine creates sparking.

Sparking can ignite nearby flammable gases.

Explosion and fire could result.

- If there is natural or LP gas leakage in area, do not start engine.
- Do not use pressurized starting fluids because vapors are flammable.



POISONOUS GAS HAZARD. Engine exhaust contains carbon monoxide, a poisonous gas that could kill you in minutes. You CANNOT see it, smell it, or taste it. Even if you do not smell exhaust fumes, you could still be exposed to carbon monoxide gas. If you start to feel sick, dizzy, or weak while using this product, get to fresh air RIGHT AWAY. See a doctor. You may have carbon monoxide poisoning.

- Operate this product ONLY outside far away from windows, doors and vents to reduce the risk of carbon monoxide gas from accumulating and potentially being drawn towards occupied spaces.
- Install battery-operated carbon monoxide alarms or plug-in carbon monoxide alarms with battery back-up according to the manufacturer's instructions. Smoke alarms cannot detect carbon monoxide gas.
- DO NOT run this product inside homes, garages, basements, crawlspaces, sheds, or other partially-enclosed spaces even if using fans or opening doors and windows for ventilation. Carbon monoxide can quickly build up in these spaces and can linger for hours, even after this product has shut off.
- ALWAYS place this product downwind and point the engine exhaust away from occupied spaces.



Rapid retraction of starter cord (kickback) will pull hand and arm toward engine faster than you can let go.

Broken bones, fractures, bruises or sprains could result.

- When starting engine, pull the starter cord slowly until resistance is felt and then pull rapidly to avoid kickback.
- Remove all external equipment / engine loads before starting engine.
- Direct-coupled equipment components such as, but not limited to, blades, impellers, pulleys, sprockets, etc., must be securely attached.



Rotating parts can contact or entangle hands, feet, hair, clothing, or accessories.

Traumatic amputation or severe laceration can result.

- Operate equipment with guards in place.
- Keep hands and feet away from rotating parts.
- Tie up long hair and remove jewelry.
- Do not wear loose-fitting clothing, dangling drawstrings or items that could become caught.



Running engines produce heat. Engine parts, especially muffler, become extremely hot.

Severe thermal burns can occur on contact.

Combustible debris, such as leaves, grass, brush, etc. can catch fire.

- Allow muffler, engine cylinder and fins to cool before touching.
- Remove accumulated debris from muffler area and cylinder area.
- It is a violation of California Public Resource Code, Section 4442, to use or operate the engine on any forest-covered, brush-covered, or grass-covered land unless the exhaust system is equipped with a spark arrester, as defined in Section 4442, maintained in effective working order. Other states or federal jurisdictions may have similar laws. Contact the original equipment manufacturer, retailer, or dealer to obtain a spark arrester designed for the exhaust system installed on this engine.



Unintentional sparking can result in fire or electric shock.

Unintentional start-up can result in entanglement, traumatic amputation, or laceration.

Fire hazard

Before performing adjustments or repairs:

- Disconnect the spark plug wire and keep it away from the spark plug.
- Disconnect battery at negative terminal (only engines with electric start.)
- Use only correct tools.
- Do not tamper with governor spring, links or other parts to increase engine speed.
- Replacement parts must be of the same design and installed in the same position as the original parts. Other parts may not perform as well, may damage the unit, and may result in injury.
- Do not strike the flywheel with a hammer or hard object because the flywheel may later shatter during operation.

When testing for spark:

- Use approved spark plug tester.
- Do not check for spark with spark plug removed.

Features and Controls

Engine Controls

Compare the illustration (Figure: 1, 2, 3) with your engine to familiarize yourself with the location of various features and controls.

- Engine Identification Numbers **Model - Type - Code**
- Spark Plug
- Air Cleaner
- Starter Cord Handle (if equipped)
- Dipstick
- Oil Drain Plug
- Muffler, Muffler Guard (if equipped), Spark Arrester (if equipped)
- Air Intake Grille
- Air Intake Grille

- J. Oil Filter (if equipped)
- K. Electric Starter (if equipped)
- L. Carburetor
- M. Fuel Filter (if equipped)
- N. Fuel Pump (if equipped)
- O. Quick Oil Drain (if equipped)
- P. Electronic Control Unit (if equipped)

A	SAE 30 - Below 40 °F (4 °C) the use of SAE 30 will result in hard starting.
B	10W-30 - Above 80 °F (27 °C) the use of 10W-30 may cause increased oil consumption. Check oil level more frequently.
C	5W-30
D	Synthetic 5W-30
E	Vanguard™ Synthetic 15W-50

Engine Control Symbols and Meanings

Symbol	Meaning	Symbol	Meaning
	Engine speed - FAST		Engine speed - SLOW
	Engine speed - STOP		ON - OFF
	Engine start - Choke CLOSED		Engine start - Choke OPEN
	Fuel Cap Fuel Shut-off - OPEN		Fuel Shut-off - CLOSED
	Fuel level - Maximum Do not overfill		

Operation

Oil Recommendations

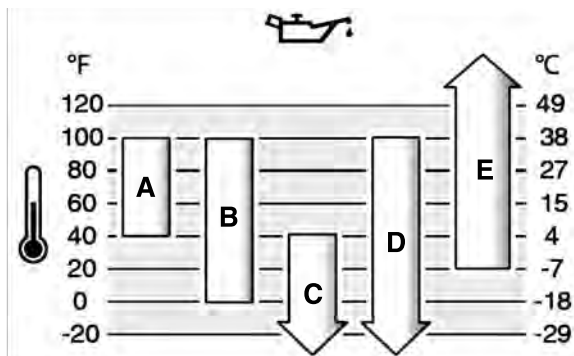
Oil Capacity: See the *Specifications* section.

NOTICE

This engine was shipped from Briggs & Stratton without oil. Equipment manufacturers or dealers may have added oil to the engine. Before you start the engine for the first time, make sure to check the oil level and add oil according to the instructions in this manual. If you start the engine without oil, it will be damaged beyond repair and will not be covered under warranty.

We recommend the use of Briggs & Stratton Warranty Certified oils for best performance. Other high-quality detergent oils are acceptable if classified for service SF, SG, SH, SJ or higher. Do not use special additives.

Outdoor temperatures determine the proper oil viscosity for the engine. Use the chart to select the best viscosity for the outdoor temperature range expected. Engines on most outdoor power equipment operate well with 5W-30 Synthetic oil. For equipment operated in hot temperatures, Vanguard™ 15W-50 Synthetic oil provides the best protection.



Check Oil Level

See Figure: 4

Before adding or checking the oil

- Make sure the engine is level.
- Clean the oil fill area of any debris.

1. Remove the dipstick (A, Figure 4) and wipe with a clean cloth.
2. Install and tighten the dipstick (A, Figure 4).
3. Remove the dipstick and check the oil level. Correct oil level is at the top of the full indicator (B, Figure 4) on the dipstick.
4. If oil level is low, slowly add oil into the engine oil fill (C, Figure 4). **Do not overfill.** After adding oil, wait one minute and then recheck the oil level.

Note: Do not add oil at the quick oil drain, if equipped. For location, see *Features and Controls*.

5. Reinstall and tighten the dipstick (A, Figure 4).

Low Oil Protection System (if equipped)

Some engines are equipped with a low oil sensor. If the oil is low, the sensor will either activate a warning light or stop the engine. Stop the engine and follow these steps before restarting the engine.

- Make sure the engine is level.
- Check the oil level. See the *Check Oil Level* section.
- If the oil level is low, add the proper amount of oil. Start the engine and make sure the warning light (if equipped) is not activated.
- If the oil level is not low, do not start the engine. Contact a Briggs & Stratton Authorized Service Dealer to have the oil problem corrected.

Fuel Recommendations

Fuel must meet these requirements:

- Clean, fresh, unleaded gasoline.
- A minimum of 87 octane/87 AKI (91 RON). High altitude use, see below.
- Gasoline with up to 10% ethanol (gasohol) is acceptable.

NOTICE Do not use unapproved gasolines, such as E15 and E85. Do not mix oil in gasoline or modify the engine to run on alternate fuels. Use of unapproved fuels will damage the engine components, which will not be covered under warranty.

To protect the fuel system from gum formation, mix a fuel stabilizer into the fuel. See *Storage*. All fuel is not the same. If starting or performance problems occur, change fuel providers or change brands. This engine is certified to operate on gasoline. The emissions control system for this engine is EM (Engine Modifications).

High Altitude

At altitudes over 5,000 feet (1524 meters), a minimum 85 octane/85 AKI (89 RON) gasoline is acceptable.

For carbureted engines, high altitude adjustment is required to maintain performance. Operation without this adjustment will cause decreased performance, increased fuel consumption, and increased emissions. Contact a Briggs & Stratton Authorized Service Dealer for high altitude adjustment information. Operation of the engine at altitudes below 2,500 feet (762 meters) with the high altitude adjustment is not recommended.

For Electronic Fuel Injection (EFI) engines, no high altitude adjustment is necessary.

Add Fuel

See Figure: 5



WARNING

Fuel and its vapors are extremely flammable and explosive.

Fire or explosion can cause severe burns or death.

When adding fuel

- Turn engine off and let engine cool at least 2 minutes before removing the fuel cap.
- Fill fuel tank outdoors or in well-ventilated area.
- Do not overfill fuel tank. To allow for expansion of the fuel, do not fill above the bottom of the fuel tank neck.
- Keep fuel away from sparks, open flames, pilot lights, heat, and other ignition sources.
- Check fuel lines, tank, cap, and fittings frequently for cracks or leaks. Replace if necessary.
- If fuel spills, wait until it evaporates before starting engine.

1. Clean the fuel cap area of dirt and debris. Remove the fuel cap.
2. Fill the fuel tank (A, Figure 5) with fuel. To allow for expansion of the fuel, do not fill above the bottom of the fuel tank neck (B).
3. Reinstall the fuel cap.

Start and Stop Engine

See Figure: 6

Start Engine



WARNING

Rapid retraction of starter cord (kickback) will pull hand and arm toward engine faster than you can let go.

Broken bones, fractures, bruises or sprains could result.

- When starting engine, pull the starter cord slowly until resistance is felt and then pull rapidly to avoid kickback.



WARNING

Fuel and its vapors are extremely flammable and explosive.

Fire or explosion can cause severe burns or death.

When Starting Engine

- Ensure that spark plug, muffler, fuel cap and air cleaner (if equipped) are in place and secured.
- Do not crank engine with spark plug removed.
- If engine floods, set choke (if equipped) to OPEN / RUN position, move throttle (if equipped) to FAST position and crank until engine starts.



WARNING

POISONOUS GAS HAZARD. Engine exhaust contains carbon monoxide, a poisonous gas that could kill you in minutes. You CANNOT see it, smell it, or taste it. Even if you do not smell exhaust fumes, you could still be exposed to carbon monoxide gas. If you start to feel sick, dizzy, or weak while using this product, shut it off and get to fresh air RIGHT AWAY. See a doctor. You may have carbon monoxide poisoning.

- Operate this product ONLY outside far away from windows, doors and vents to reduce the risk of carbon monoxide gas from accumulating and potentially being drawn towards occupied spaces.
- Install battery-operated carbon monoxide alarms or plug-in carbon monoxide alarms with battery back-up according to the manufacturer's instructions. Smoke alarms cannot detect carbon monoxide gas.
- DO NOT run this product inside homes, garages, basements, crawlspaces, sheds, or other partially-enclosed spaces even if using fans or opening doors and windows for ventilation. Carbon monoxide can quickly build up in these spaces and can linger for hours, even after this product has shut off.
- ALWAYS place this product downwind and point the engine exhaust away from occupied spaces.

NOTICE This engine was shipped from Briggs & Stratton without oil. Before you start the engine, make sure you add oil according to the instructions in this manual. If you start the engine without oil, it will be damaged beyond repair and will not be covered under warranty.

Determine The Starting System

Before starting the engine, you must determine the type of starting system that is on your engine. Your engine will have one of the following types.

- **ReadyStart® System:** This features a temperature controlled automatic choke. This type does not have a primer.
- **Electronic Fuel Management System:** This features an Electronic Control Unit that monitors engine and temperature conditions. This type does not have a manual choke or a primer.
- **Choke System:** This features a choke to be used for starting in cool temperatures. Some models will have a separate choke control while others will have a combination choke / throttle control. This type does not have a primer.

To start your engine, follow the instructions for your type of starting system.

Note: Equipment may have remote controls. See the equipment manual for location and operation of remote controls.

ReadyStart® System

1. Check the engine oil. See the **Check Oil Level** section.
2. Make sure equipment drive controls, if equipped, are disengaged.
3. Move the fuel shut-off (A, Figure 6), if equipped, to the OPEN position.
4. Move the throttle control (B, Figure 6), if equipped, to the FAST position. Operate the engine in the FAST position.

Note: For starting in cold weather temperatures (below 32° F), move the combination choke / throttle lever (B C, Figure 6) to the CHOKE position.

5. **Key Switch, if equipped:** Turn the key switch (D, Figure 6) to the ON / START position.

Start / Stop Button, if equipped: Push the start / stop button (F, Figure 6).

NOTICE To extend the life of the starter, use short starting cycles (five seconds maximum). Wait one minute between starting cycles.

Note: If the engine does not start after repeated attempts, contact you local dealer or go to **BRIGGSandSTRATTON.com** or call **1-800-233-3723** (in USA).

Electronic Fuel Management System

1. Check the engine oil. See the **Check Oil Level** section.
2. Make sure equipment drive controls, if equipped, are disengaged.
3. Move the fuel shut-off (A, Figure 6), if equipped, to the OPEN position.
4. Move the throttle control (B, Figure 6), if equipped, to the FAST position. Operate the engine in the FAST position.
5. **Rewind Start, if equipped:** Turn the key switch (D, Figure 6) to the ON / START position.
6. **Rewind Start, if equipped:** Firmly hold the starter cord handle (E, Figure 6). Pull the starter cord handle slowly until resistance is felt, then pull rapidly.



WARNING

Rapid retraction of the starter cord (kickback) will pull your hand and arm toward the engine faster than you can let go. Broken bones, fractures, bruises or sprains could result. When starting engine, pull the starter cord slowly until resistance is felt and then pull rapidly to avoid kickback.

7. **Electric Start, if equipped:** Turn the key switch (D, Figure 6) to the ON / START position.

NOTICE To extend the life of the starter, use short starting cycles (five seconds maximum). Wait one minute between starting cycles.

Note: If the engine does not start after repeated attempts, contact you local dealer or go to **BRIGGSandSTRATTON.com** or call **1-800-233-3723** (in USA).

Choke System

1. Check the engine oil. See the **Check Oil Level** section.
2. Make sure equipment drive controls, if equipped, are disengaged.

- Move the fuel shut-off (A, Figure 6), if equipped, to the OPEN position.
- Move the throttle control (B, Figure 6), if equipped, to the FAST position. Operate the engine in the FAST position.
- Move the choke control (C, Figure 6) to the CLOSED position. For models with a combination choke / throttle control (B C), move the control to the CHOKE position.

Note: Choke is usually unnecessary when restarting a warm engine.

- Rewind Start, if equipped:** Turn the key switch (D, Figure 6) to the ON / START position.
- Rewind Start, if equipped:** Firmly hold the starter cord handle (E, Figure 6). Pull the starter cord handle slowly until resistance is felt, then pull rapidly.



WARNING

Rapid retraction of the starter cord (kickback) will pull your hand and arm toward the engine faster than you can let go. Broken bones, fractures, bruises or sprains could result. When starting engine, pull the starter cord slowly until resistance is felt and then pull rapidly to avoid kickback.

- Electric Start, if equipped:** Turn the key switch (D, Figure 6) to the ON / START position.

NOTICE To extend the life of the starter, use short starting cycles (five seconds maximum). Wait one minute between starting cycles.

- As the engine warms up, move the choke control (C, Figure 6) to the OPEN position. For models with a combination choke / throttle control (B C), move the control to the FAST position.

Note: If the engine does not start after repeated attempts, contact your local dealer or go to BRIGGSandSTRATTON.com or call 1-800-233-3723 (in USA).

Stop Engine



WARNING



Fuel and its vapors are extremely flammable and explosive.

Fire or explosion can cause severe burns or death.

- Do not choke the carburetor to stop the engine.
- Key Switch, if equipped:** With the throttle control in the FAST position, turn the key switch (D, Figure 6) to the OFF position. Remove the key and keep in a safe place out of the reach of children.
Start / Stop Button, if equipped: With the throttle control in the FAST position, push the START / STOP button (F, Figure 6).
 - After the engine stops, move the fuel shut-off (A, Figure 6), if equipped, to the CLOSED position.

Maintenance

NOTICE If the engine is tipped during maintenance, the fuel tank, if mounted on engine, must be empty and the spark plug side must be up. If the fuel tank is not empty and if the engine is tipped in any other direction, it may be difficult to start due to oil or gasoline contaminating the air filter and/or the spark plug.



WARNING

When performing maintenance that requires the unit to be tipped, the fuel tank, if mounted on the engine, must be empty or fuel can leak out and result in a fire or explosion.

We recommend that you see any Briggs & Stratton Authorized Service Dealer for all maintenance and service of the engine and engine parts.

NOTICE All the components used to build this engine must remain in place for proper operation.



WARNING



Unintentional sparking can result in fire or electric shock.

Unintentional start-up can result in entanglement, traumatic amputation, or laceration.

Fire hazard

Before performing adjustments or repairs:

- Disconnect the spark plug wire and keep it away from the spark plug.
- Disconnect battery at negative terminal (only engines with electric start.)
- Use only correct tools.
- Do not tamper with governor spring, links or other parts to increase engine speed.
- Replacement parts must be of the same design and installed in the same position as the original parts. Other parts may not perform as well, may damage the unit, and may result in injury.
- Do not strike the flywheel with a hammer or hard object because the flywheel may later shatter during operation.

When testing for spark:

- Use approved spark plug tester.
- Do not check for spark with spark plug removed.

Emissions Control Service

Maintenance, replacement, or repair of the emissions control devices and systems may be performed by any off-road engine repair establishment or individual. However, to obtain "no charge" emissions control service, the work must be performed by a factory authorized dealer. See the Emissions Control Statements.

Maintenance Schedule

First 5 Hours
<ul style="list-style-type: none"> Change oil ³
Every 8 Hours or Daily
<ul style="list-style-type: none"> Check engine oil level Clean area around muffler and controls Clean air intake grille
Every 25 Hours or Annually
<ul style="list-style-type: none"> Clean air filter ¹ Clean pre-cleaner (if equipped) ¹
Every 50 Hours or Annually
<ul style="list-style-type: none"> Change engine oil ⁴ Replace oil filter (if equipped) ⁴ Service exhaust system
Every 100 Hours or Annually
<ul style="list-style-type: none"> Change engine oil ⁵ Replace oil filter (if equipped) ⁵
Annually
<ul style="list-style-type: none"> Replace spark plug Replace air filter Replace pre-cleaner (if equipped) Replace fuel filter (if equipped) Service fuel system Service cooling system ¹ Check valve clearance ²

¹ In dusty conditions or when airborne debris is present, clean more often.

² Not required unless engine performance problems are noted.

³ Only engines without oil filter.

⁴ Engine without oil filter or with standard black oil filter (see **Specifications** page for part number).

⁵ Engines with high-efficiency yellow or orange oil filter (see **Specifications** page for part number).

Electronic Fuel Management System

The Electronic Fuel Management System monitors engine temperature, engine speed, and battery voltage to adjust the choke during engine starting and warm up. There are no adjustments on the system. If starting or operation problems occur, contact an Authorized Briggs & Stratton Dealer.

NOTICE Make sure to follow the steps below or the Electronic Fuel Management System could be damaged.

- Never start the engine if the battery cables are loose.
- Turn the key to the off position before disconnecting, removing and / or installing the battery.
- Never use a battery charger to start the engine.
- Never disconnect the battery cables while the engine is running.
- When connecting the battery cables, first connect the positive (+) cable and then connect the negative (-) cable to the battery.
- When charging the battery, turn the ignition switch to the off position and disconnect the negative (-) battery cable from the battery.
- Do not spray water directly on the Electronic Control Unit.

Carburetor and Engine Speed

Never make adjustments to the carburetor or engine speed. The carburetor was set at the factory to operate efficiently under most conditions. Do not tamper with the governor spring, linkages, or other parts to change the engine speed. If any adjustments are required contact a Briggs & Stratton Authorized Service Dealer for service.

NOTICE The equipment manufacturer specifies the maximum speed for the engine as installed on the equipment. **Do not exceed** this speed. If you are unsure what the equipment maximum speed is, or what the engine speed is set to from the factory, contact a Briggs & Stratton Authorized Service Dealer for assistance. For safe and proper operation of the equipment, the engine speed should be adjusted only by a qualified service technician.

Service Spark Plug

See Figure: 7

Check the gap (A, Figure 7) with a wire gauge (B). If necessary, reset the gap. Install and tighten the spark plug to the recommended torque. For gap setting or torque, see the **Specifications** section.

Note: In some areas, local law requires using a resistor spark plug to suppress ignition signals. If this engine was originally equipped with a resistor spark plug, use the same type for replacement.

Service Exhaust System



Running engines produce heat. Engine parts, especially muffler, become extremely hot.

Severe thermal burns can occur on contact.

Combustible debris, such as leaves, grass, brush, etc. can catch fire.

- Allow muffler, engine cylinder and fins to cool before touching.
- Remove accumulated debris from muffler area and cylinder area.
- It is a violation of California Public Resource Code, Section 4442, to use or operate the engine on any forest-covered, brush-covered, or grass-covered land unless the exhaust system is equipped with a spark arrester, as defined in Section 4442, maintained in effective working order. Other states or federal jurisdictions may have similar laws. Contact the original equipment manufacturer, retailer, or dealer to obtain a spark arrester designed for the exhaust system installed on this engine.

Remove accumulated debris from muffler and cylinder area. Inspect the muffler for cracks, corrosion, or other damage. Remove the deflector or the spark arrester, if equipped, and inspect for damage or carbon blockage. If damage is found, install replacement parts before operating.



Replacement parts must be of the same design and installed in the same position as the original parts. Other parts may not perform as well, may damage the unit, and may result in injury.

Change Engine Oil

See Figure: 8, 9, 10, 11

Used oil is a hazardous waste product and must be disposed of properly. Do not discard with household waste. Check with your local authorities, service center, or dealer for safe disposal/recycling facilities.

Remove Oil

1. With engine off but still warm, disconnect the spark plug wire (D, Figure 8) and keep it away from the spark plug (E).
2. Remove the dipstick (A, Figure 9).

Oil Drain Plug, if equipped

1. Remove the oil drain plug (F, Figure 10). Drain the oil into an approved container.

Note: Any of the oil drain plugs (G, Figure 10) may be installed in the engine.

2. After the oil has drained, install and tighten the oil drain plug (F, Figure 10).

Quick Oil Drain, if equipped

1. Disconnect the quick oil drain hose (H, Figure 11) from the side of the engine.
2. Turn and remove the oil drain cap (I, Figure 11). Carefully lower the quick oil drain (H) into an approved container (J).
3. After the oil has drained, install the quick oil drain cap (I, Figure 11). Attach the quick oil drain hose (H) to the side of the engine.

Change Oil Filter, if equipped

Some models are equipped with an oil filter. For replacement intervals, see the **Maintenance Schedule**.

1. Drain the oil from the engine. See **Remove Oil** section.
2. Remove the oil filter (K, Figure 9) and dispose of properly.
3. Before you install the new oil filter, lightly lubricate the oil filter gasket with fresh, clean oil.
4. Install the oil filter by hand until the gasket contacts the oil filter adapter, then tighten the oil filter 1/2 to 3/4 turns.
5. Add oil. See **Add Oil** section.
6. Start and run the engine. As the engine warms up, check for oil leaks.
7. Stop the engine and check the oil level. Correct oil level is at the top of the full indicator (B, Figure 9) on the dipstick.

Add Oil

- Make sure the engine is level.
- Clean the oil fill area of any debris.
- See the **Specifications** section for oil capacity.

1. Remove the dipstick (A, Figure 9) and wipe with a clean cloth.
2. Slowly pour oil into the engine oil fill (C, Figure 9). **Do not overfill.** After adding oil, wait one minute and then check the oil level.

Note: Do not add oil at the quick oil drain (H, Figure 11), if equipped.

3. Install and tighten the dipstick (A, Figure 9).
4. Remove the dipstick and check the oil level. Correct oil level is at the top of the full indicator (B, Figure 9) on the dipstick.
5. Reinstall and tighten the dipstick (A, Figure 9).
6. Connect the spark plug wire (D, Figure 8) to the spark plug (E).

Service Air Filter

See Figure: 12, 13



Fuel and its vapors are extremely flammable and explosive.

Fire or explosion can cause severe burns or death.

- Never start and run the engine with the air cleaner assembly (if equipped) or the air filter (if equipped) removed.

NOTICE Do not use pressurized air or solvents to clean the filter. Pressurized air can damage the filter and solvents will dissolve the filter.

See the **Maintenance Schedule** for service requirements.

Various models use either a foam or a paper filter. Some models may also have an optional pre-cleaner that can be washed and reused. Compare the illustrations in this manual with the type installed on your engine and service as follows.

Paper Air Filter

1. Pull up on the cover handle (A, Figure 12). Rotate the cover handle toward the engine and then remove the cover (B).
2. Remove the pre-cleaner (C, Figure 12), if equipped, and the filter (D).
3. To loosen debris, gently tap the filter (D, Figure 12) on a hard surface. If the filter is excessively dirty, replace with a new filter.
4. Wash the pre-cleaner (C, Figure 12) in liquid detergent and water. Allow the pre-cleaner (C) to thoroughly air dry. **Do not** oil the pre-cleaner.
5. Assemble the dry pre-cleaner (C, Figure 12) and the filter (D) to the engine base (E).
6. Align the tabs (F, Figure 12) on the cover (B) with the slots (G) in the blower housing.
7. Rotate the cover handle (A, Figure 12) back and push down to lock in place.

Paper Air Filter

1. Loosen the fastener(s) (A, Figure 13).
2. Remove the cover (B, Figure 13).
3. To remove the filter (C, Figure 13), lift the end of the filter and then pull the filter off the intake (D).
4. To loosen debris, gently tap the filter (C, Figure 13) on a hard surface. If the filter is excessively dirty, replace with a new filter.
5. Remove the pre-cleaner (E, Figure 13), if equipped, from the filter (C).
6. Wash the pre-cleaner (E, Figure 13), if equipped, in liquid detergent and water. Allow the pre-cleaner to thoroughly air dry. Do not oil the pre-cleaner.
7. Assemble the dry pre-cleaner (E, Figure 13), if equipped, to the filter (C).
8. Install the filter (C, Figure 13) on the intake (D). Push the end of the filter down into the engine base. Make sure filter fits securely in the engine base.
9. Install the air filter cover (B, Figure 13) and secure with fastener(s) (A).

Service Fuel System

See Figure: 14, 15



Fuel and its vapors are extremely flammable and explosive.

Fire or explosion can cause severe burns or death.

- Keep fuel away from sparks, open flames, pilot lights, heat, and other ignition sources.
- Check fuel lines, tank, cap, and fittings frequently for cracks or leaks. Replace if necessary.
- Before cleaning or replacing the fuel filter, drain the fuel tank or close the fuel shut-off valve.
- If fuel spills, wait until it evaporates before starting engine.
- Replacement parts must be the same and installed in the same position as the original parts.

Fuel Filter, if equipped

1. Before cleaning or replacing the fuel filter (A, Figure 14), drain the fuel tank or close the fuel shut-off valve. Otherwise, fuel can leak out and cause a fire or explosion.
2. Use pliers to squeeze tabs (B, Figure 14) on the clamps (C), then slide the clamps away from the fuel filter (A). Twist and pull the fuel lines (D) off of the fuel filter.
3. Check the fuel lines (D, Figure 14) for cracks or leaks. Replace if necessary.
4. Replace the fuel filter (A, Figure 14) with an original equipment replacement filter.
5. Secure the fuel lines (D, Figure 14) with clamps (C) as shown.

Fuel Strainer, if equipped

1. Remove the fuel cap (A, Figure 15).
2. Remove the fuel strainer (B, Figure 15).
3. If the fuel strainer is dirty, clean or replace it. If you replace the fuel strainer, make sure to use an original equipment replacement fuel strainer.

Service Cooling System



Running engines produce heat. Engine parts, especially muffler, become extremely hot.

Severe thermal burns can occur on contact.

Combustible debris, such as leaves, grass, brush, etc., can catch fire.

- Allow muffler, engine cylinder and fins to cool before touching.
- Remove accumulated debris from muffler area and cylinder area.

NOTICE Do not use water to clean the engine. Water could contaminate the fuel system. Use a brush or dry cloth to clean the engine.

This is an air cooled engine. Dirt or debris can restrict air flow and cause the engine to overheat, resulting in poor performance and reduced engine life.

1. Use a brush or dry cloth to remove debris from the air intake grille.
2. Keep linkage, springs and controls clean.
3. Keep the area around and behind the muffler, if equipped, free of any combustible debris.
4. Make sure the oil cooler fins, if equipped, are free of dirt and debris.

After a period of time, debris can accumulate in the cylinder cooling fins and cause the engine to overheat. This debris cannot be removed without partial disassembly of the engine. Have a Briggs & Stratton Authorized Service Dealer inspect and clean the air cooling system as recommended in the **Maintenance Schedule**.

Storage



Fuel and its vapors are extremely flammable and explosive.

Fire or explosion can cause severe burns or death.

When Storing Fuel Or Equipment With Fuel In Tank

- Store away from furnaces, stoves, water heaters or other appliances that have pilot lights or other ignition sources because they can ignite fuel vapors.

Fuel System

See Figure: 16

Store the engine level (normal operating position). Fill fuel tank (A, Figure 16) with fuel. To allow for expansion of fuel, do not overfill above the fuel tank neck (B).

Fuel can become stale when stored over 30 days. Stale fuel causes acid and gum deposits to form in the fuel system or on essential carburetor parts. To keep fuel fresh, use **Briggs & Stratton Advanced Formula Fuel Treatment & Stabilizer**, available wherever Briggs & Stratton genuine service parts are sold.

There is no need to drain gasoline from the engine if a fuel stabilizer is added according to instructions. Run the engine for two (2) minutes to circulate the stabilizer throughout the fuel system before storage.

If gasoline in the engine has not been treated with a fuel stabilizer, it must be drained into an approved container. Run the engine until it stops from lack of fuel. The use of a fuel stabilizer in the storage container is recommended to maintain freshness.

Engine Oil

While the engine is still warm, change the engine oil. See the **Change Engine Oil** section.

Troubleshooting

For assistance, contact your local dealer or go to **BRIGGSandSTRATTON.com** or call **1-800-233-3723** (in USA).

Specifications

Model: 210000	
Displacement	21.01 ci (344 cc)

Model: 210000	
Bore	3.437 in (87,30 mm)
Stroke	2.264 in (57,51 mm)
Oil Capacity - without filter	42 - 44 oz (1,24 - 1,30 L)
Oil Capacity - with filter	46 - 48 oz (1,36 - 1,40 L)
Spark Plug Gap	0.030 in (0,76 mm)
Spark Plug Torque	180 lb-in (20 Nm)
Armature Air Gap	0.010 - 0.014 in (0,25 - 0,36 mm)
Intake Valve Clearance	0.003 - 0.005 in (0,08 - 0,13 mm)
Exhaust Valve Clearance	0.005 - 0.007 in (0,13 - 0,18 mm)

Model: 310000	
Displacement	30.59 ci (501 cc)
Bore	3.563 in (90,49 mm)
Stroke	3.062 in (77,77 mm)
Oil Capacity - without filter	42 - 44 oz (1,24 - 1,30 L)
Oil Capacity - with filter	46 - 48 oz (1,36 - 1,40 L)
Spark Plug Gap	0.030 in (0,76 mm)
Spark Plug Torque	180 lb-in (20 Nm)
Armature Air Gap	0.010 - 0.014 in (0,25 - 0,36 mm)
Intake Valve Clearance	0.003 - 0.005 in (0,08 - 0,13 mm)
Exhaust Valve Clearance	0.005 - 0.007 in (0,13 - 0,18 mm)

Engine power will decrease 3.5% for each 1,000 feet (300 meters) above sea level and 1% for each 10° F (5.6° C) above 77° F (25° C). The engine will operate satisfactorily at an angle up to 15°. Refer to the equipment operator's manual for safe allowable operating limits on slopes.

Service Parts - Model: 210000	
Service Part	Part Number
Air Filter, Paper (see Figure 13)	796032
Air Filter Pre-cleaner, Foam (see Figure 13)	798911
Air Filter, Paper (see Figure 12)	698413, 5079
Air Filter Pre-cleaner, Foam (see Figure 12)	697292, 5079
Oil - SAE 30 (20 oz, 0,6 L)	100005
Oil - SAE 30 (48 oz, 1,4 L)	100028
Oil Filter	492932
Advanced Formula Fuel Treatment & Stabilizer	100117, 100120
Fuel Filter - engine without fuel pump	394358, 5098
Fuel Filter - engine with fuel pump	691035, 5065
Resistor Spark Plug	491055
Long Life Platinum Spark Plug	5066
Spark Plug Wrench	89838, 5023
Spark Tester	19368

Service Parts - Model: 310000	
Service Part	Part Number
Air Filter, Paper (see Figure 13)	796031
Air Filter Pre-cleaner, Foam (see Figure 13)	797704
Air Filter, Paper (see Figure 12)	698083, 5077
Air Filter Pre-cleaner, Foam (see Figure 12)	697015, 5077
Air Filter, Flat Washable	697153, 5078
Oil - SAE 30 (20 oz, 0,6 L)	100005
Oil - SAE 30 (48 oz, 1,4 L)	100028
Oil Filter, Standard - Black	492932
Oil Filter, High Efficiency - Yellow	795890
Oil Filter, High Efficiency - Orange	798576

Service Parts - Model: 310000	
Advanced Formula Fuel Treatment & Stabilizer	100117, 100120
Fuel Filter - engine without fuel pump	394358, 5098
Fuel Filter - engine with fuel pump	691035, 6065
Resistor Spark Plug	491055
Long Life Platinum Spark Plug	5066
Spark Plug Wrench	89838, 5023
Spark Tester	19368

We recommend that you see any Briggs & Stratton Authorized Dealer for all maintenance and service of the engine and engine parts.

Power Ratings: The gross power rating for individual gasoline engine models is labeled in accordance with SAE (Society of Automotive Engineers) code J1940 Small Engine Power & Torque Rating Procedure, and is rated in accordance with SAE J1995. Torque values are derived at 2600 RPM for those engines with "rpm" called out on the label and 3060 RPM for all others; horsepower values are derived at 3600 RPM. The gross power curves can be viewed at www.BRIGGSandSTRATTON.COM. Net power values are taken with exhaust and air cleaner installed whereas gross power values are collected without these attachments. Actual gross engine power will be higher than net engine power and is affected by, among other things, ambient operating conditions and engine-to-engine variability. Given the wide array of products on which engines are placed, the gasoline engine may not develop the rated gross power when used in a given piece of power equipment. This difference is due to a variety of factors including, but not limited to, the variety of engine components (air cleaner, exhaust, charging, cooling, carburetor, fuel pump, etc.), application limitations, ambient operating conditions (temperature, humidity, altitude), and engine-to-engine variability. Due to manufacturing and capacity limitations, Briggs & Stratton may substitute an engine of higher rated power for this engine.

Warranty

Briggs & Stratton Engine Warranty

Effective January 2017

Limited Warranty

Briggs & Stratton warrants that, during the warranty period specified below, it will repair or replace, free of charge, any part that is defective in material or workmanship or both. Transportation charges on product submitted for repair or replacement under this warranty must be borne by purchaser. This warranty is effective for and is subject to the time periods and conditions stated below. For warranty service, find the nearest Authorized Service Dealer in our dealer locator map at BRIGGSandSTRATTON.COM. The purchaser must contact the Authorized Service Dealer, and then make the product available to the Authorized Service Dealer for inspection and testing.

There is no other express warranty. Implied warranties, including those of merchantability and fitness for a particular purpose, are limited to the warranty period listed below, or to the extent permitted by law. Liability for incidental or consequential damages are excluded to the extent exclusion is permitted by law. Some states or countries do not allow limitations on how long an implied warranty lasts, and some states or countries do not allow the exclusion or limitation of incidental or consequential damages, so the above limitation and exclusion may not apply to you. This warranty gives you specific legal rights and you may also have other rights which vary from state to state and country⁴.

Standard Warranty Terms 1, 2, 3

Brand / Product Name	Consumer Use	Commercial Use
Vanguard™; Commercial Series	36 months	36 months
Engines Featuring Dura-Bore™ Cast Iron Sleeve	24 months	12 months
All Other Engines	24 months	3 months

¹These are our standard warranty terms, but occasionally there may be additional warranty coverage that was not determined at time of publication. For a listing of current warranty terms for your engine, go to BRIGGSandSTRATTON.com or contact your Briggs & Stratton Authorized Service Dealer.

²There is no warranty for engines on equipment used for prime power in place of a utility or for standby generators used for commercial purposes. Engines used in competitive racing or on commercial or rental tracks are not warranted.

³Vanguard installed on standby generators: 24 months consumer use, no warranty commercial use. Vanguard installed on utility vehicles: 24 months consumer use, 24 months commercial use. Commercial Series with manufacturing date before July 2017, 24 months consumer use, 24 months commercial use.

⁴In Australia - Our goods come with guarantees that cannot be excluded under the Australian Consumer Law. You are entitled to a replacement or refund for a major failure and for compensation for any other reasonably foreseeable loss or damage. You are also entitled to have the goods repaired or replaced if the goods fail to be

of acceptable quality and the failure does not amount to a major failure. For warranty service, find the nearest Authorized Service Dealer in our dealer locator map at BRIGGSandSTRATTON.COM, or by calling 1300 274 447, or by emailing or writing to salesenquiries@briggsandstratton.com.au, Briggs & Stratton Australia Pty Ltd, 1 Moorebank Avenue, Moorebank, NSW, Australia, 2170.

The warranty period begins on the original date of purchase by the first retail or commercial consumer. "Consumer use" means personal residential household use by a retail consumer. "Commercial use" means all other uses, including use for commercial, income producing or rental purposes. Once an engine has experienced commercial use, it shall thereafter be considered as a commercial use engine for purposes of this warranty.

Save your proof of purchase receipt. If you do not provide proof of the initial purchase date at the time warranty service is requested, the manufacturing date of the product will be used to determine the warranty period. Product registration is not required to obtain warranty service on Briggs & Stratton products.

About Your Warranty

This limited warranty covers engine-related material and/or workmanship issues only, and not replacement or refund of the equipment to which the engine may be mounted. Routine maintenance, tune-ups, adjustments, or normal wear and tear are not covered under this warranty. Similarly, warranty is not applicable if the engine has been altered or modified or if the engine serial number has been defaced or removed. This warranty does not cover engine damage or performance problems caused by:

1. The use of parts that are not original Briggs & Stratton parts;
2. Operating the engine with insufficient, contaminated, or an incorrect grade of lubricating oil;
3. The use of contaminated or stale fuel, gasoline formulated with ethanol greater than 10%, or the use of alternative fuels such as liquefied petroleum or natural gas on engines not originally designed/manufactured by Briggs & Stratton to operate on such fuels;
4. Dirt which entered the engine because of improper air cleaner maintenance or re-assembly;
5. Striking an object with the cutter blade of a rotary lawn mower, loose or improperly installed blade adapters, impellers, or other crankshaft coupled devices, or excessive v-belt tightness;
6. Associated parts or assemblies such as clutches, transmissions, equipment controls, etc., which are not supplied by Briggs & Stratton;
7. Overheating due to grass clippings, dirt and debris, or rodent nests which plug or clog the cooling fins or flywheel area, or by operating the engine without sufficient ventilation;
8. Excessive vibration due to over-speeding, loose engine mounting, loose or unbalanced cutter blades or impellers, or improper coupling of equipment components to the crankshaft;
9. Misuse, lack of routine maintenance, shipping, handling, or warehousing of equipment, or improper engine installation.

Warranty service is available only through Briggs & Stratton Authorized Service Dealers. Locate your nearest Authorized Service Dealer in our dealer locator map at BRIGGSandSTRATTON.COM or by calling 1-800-233-3723 (in USA).

80004537 (Rev. C)

Briggs & Stratton Emissions Warranty

California, U.S. EPA, and Briggs & Stratton Corporation Emissions Control Warranty Statement - Your Warranty Rights and Obligations

For Briggs & Stratton Engine Models with "F" Trim Designation (Model-Type-Trim Representation xxxxxx xxxx Fx)

The California Air Resources Board, U.S. EPA, and Briggs & Stratton (B&S) are pleased to explain the emissions control system warranty on your Model Year 2017-2019 engine/equipment. In California, new small off-road engines and large spark ignited engines less than or equal to 1.0 liter must be designed, built, and equipped to meet the State's stringent anti-smog standards. B&S must warrant the emissions control system on your engine/equipment for the periods of time listed below provided there has been no abuse, neglect, or improper maintenance of your engine/equipment.

Your exhaust emissions control system may include parts such as the carburetor or fuel injection system, ignition system, and catalytic converter. Also included may be hoses, belts, connectors, sensors, and other emissions-related assemblies. Your evaporative emission control system may include parts such as: carburetors, fuel tanks, fuel lines, fuel caps, valves, canisters, filters, vapor hoses, clamps, connectors, and other associated components.

Where a warrantable condition exists, B&S will repair your engine/equipment at no cost to you including diagnosis, parts, and labor.

Manufacturer's Warranty Coverage:

Small off-road engines and large spark ignited engines less than or equal to 1.0 liter, and any related emissions components of the equipment, are warranted for two years, or for the time period listed in the respective engine or product warranty statement, whichever is greater. If any emissions-related part on your B&S engine/equipment is defective, the part will be repaired or replaced by B&S.

Owner's Warranty Responsibilities:

- As the engine/equipment owner, you are responsible for the performance of the required maintenance listed in your Operator's Manual. B&S recommends that you retain all receipts covering maintenance on your engine/equipment, but B&S cannot deny warranty solely for the lack of receipts or your failure to ensure the performance of all scheduled maintenance.
- As the engine/equipment owner, you should however be aware that B&S may deny you warranty coverage if your engine/equipment or a part has failed due to abuse, neglect, improper maintenance, or unapproved modifications.
- You are responsible for presenting your engine/equipment to a B&S distribution center, servicing dealer, or other equivalent entity, as applicable, as soon as a problem exists. The warranty repairs should be completed in a reasonable amount of time, not to exceed 30 days. If you have any questions regarding your warranty rights and responsibilities, you should contact B&S at 1-800-444-7774 (in USA) or BRIGGSandSTRATTON.COM.

Briggs & Stratton Emissions Control Warranty Provisions

The following are specific provisions relative to your Emissions Control Warranty Coverage. It is in addition to the B&S engine warranty for non-regulated engines found in the Operator's Manual.

1. **Warranted Emissions Parts**
Coverage under this warranty extends only to the parts listed below (the emissions control systems parts) to the extent these parts were present on the B&S engine and/or B&S supplied fuel system.
 - a. **Fuel Metering System**
 - Cold start enrichment system (soft choke)
 - Carburetor or fuel injection system
 - Oxygen sensor
 - Electronic control unit
 - Fuel pump module
 - Fuel line, fuel line fittings, clamps
 - Fuel tank, cap and tether
 - Carbon canister
 - b. **Air Induction System**
 - Air cleaner
 - Intake manifold
 - Purge and vent line
 - c. **Ignition System**
 - Spark plug(s)
 - Magneto ignition system
 - d. **Catalyst System**
 - Catalytic converter
 - Exhaust manifold
 - Air injection system or pulse valve
 - e. **Miscellaneous Items Used in Above Systems**
 - Vacuum, temperature, position, time sensitive valves and switches
 - Connectors and assemblies

2. **Length of Coverage**
Coverage is for a period of two years from date of original purchase, or for the time period listed in the respective engine or product warranty statement, whichever is greater. B&S warrants to the original purchaser and each subsequent purchaser that the engine is designed, built, and equipped so as to conform with all applicable regulations adopted by the Air Resources Board; that it is free from defects in material and workmanship that could cause the failure of a warranted part; and that it is identical in all material respects to the engine described in the manufacturer's application for certification. The warranty period begins on the date the engine is originally purchased.

The warranty on emissions-related parts is as follows:

- Any warranted part that is not scheduled for replacement as required maintenance in the Operator's Manual supplied, is warranted for the warranty period stated above. If any such part fails during the period of warranty coverage, the part will be repaired or replaced by B&S at no charge to the

owner. Any such part repaired or replaced under the warranty will be warranted for the remaining warranty period.

- Any warranted part that is scheduled only for regular inspection in the Operator's Manual supplied, is warranted for the warranty period stated above. Any such part repaired or replaced under warranty will be warranted for the remaining warranty period.
 - Any warranted part that is scheduled for replacement as required maintenance in the Operator's Manual supplied, is warranted for the period of time prior to the first scheduled replacement point for that part. If the part fails prior to the first scheduled replacement, the part will be repaired or replaced by B&S at no charge to the owner. Any such part repaired or replaced under warranty will be warranted for the remainder of the period prior to the first scheduled replacement point for the part.
 - Add-on or modified parts that are not exempted by the Air Resources Board may not be used. The use of any non-exempted add-on or modified parts by the owner will be grounds for disallowing a warranty claim. The manufacturer will not be liable to warrant failures of warranted parts caused by the use of a non-exempted add-on or modified part.
3. Consequential Coverage
Coverage shall extend to the failure of any engine components caused by the failure of any warranted emissions parts.
4. Claims and Coverage Exclusions
Warranty claims shall be filed according to the provisions of the B&S engine warranty policy. Warranty coverage does not apply to failures of emissions parts that are not original equipment B&S parts or to parts that fail due to abuse, neglect, or improper maintenance as set forth in the B&S engine warranty policy. B&S is not liable for warranty coverage of failures of emissions parts caused by the use of add-on or modified parts.

Look For Relevant Emissions Durability Period and Air Index Information On Your Small Off-Road Engine Emissions Label

Engines that are certified to meet the California Air Resources Board (CARB) small off-road Emissions Standard must display information regarding the Emissions Durability Period and the Air Index. Briggs & Stratton makes this information available to the consumer on our emissions labels. The engine emissions label will indicate certification information.

The **Emissions Durability Period** describes the number of hours of actual running time for which the engine is certified to be emissions compliant, assuming proper maintenance in accordance with the Operator's Manual. The following categories are used:

Moderate:

Engines at or less than 80 cc displacement are certified to be emissions compliant for 50 hours of actual engine running time. Engines greater than 80 cc displacement are certified to be emissions compliant for 125 hours of actual engine running time.

Intermediate:

Engines at or less than 80 cc displacement are certified to be emissions compliant for 125 hours of actual engine running time. Engines greater than 80 cc displacement are certified to be emissions compliant for 250 hours of actual engine running time.

Extended:

Engines at or less than 80 cc displacement are certified to be emissions compliant for 300 hours of actual engine running time. Engines greater than 80 cc displacement are certified to be emissions compliant for 500 hours of actual engine running time.

For example, a typical walk-behind lawn mower is used 20 to 25 hours per year. Therefore, the **Emissions Durability Period** of an engine with an **intermediate** rating would equate to 10 to 12 years.

Briggs & Stratton engines are certified to meet the United States Environmental Protection Agency (USEPA) Phase 2 or Phase 3 emissions standards. The Emissions Compliance Period referred to on the Emissions Compliance label indicates the number of operating hours for which the engine has been shown to meet Federal emissions requirements.

For engines at or less than 80 cc displacement:

Category C = 50 hours, Category B = 125 hours, Category A = 300 hours

For engines greater than 80 cc displacement and less than 225 cc displacement:

Category C = 125 hours, Category B = 250 hours, Category A = 500 hours

For engines of 225 cc or more displacement:

Category C = 250 hours, Category B = 500 hours, Category A = 1000 hours

80008256 (Rev F)

California, U.S. EPA, and Briggs & Stratton Corporation Emissions Control Warranty Statement - Your Warranty Rights and Obligations

For Briggs & Stratton Engine Models with "B" or "G" Trim Designation (Model-Type-Trim Representation xxxxxx xxxx Bx or xxxxxx xxxx Gx)

The California Air Resources Board, U.S. EPA, and Briggs & Stratton (B&S) are pleased to explain the emissions control system warranty on your Model Year 2017-2019 engine. In California, new small off-road engines and large spark ignited engines less than or equal to 1.0 liter must be designed, built, and equipped to meet the State's stringent anti-smog standards. B&S must warrant the emissions control system on your engine for the periods of time listed below provided there has been no abuse, neglect, or improper maintenance of your engine.

Your exhaust emissions control system may include parts such as the carburetor or fuel injection system, ignition system, and catalytic converter. Also included may be hoses, belts, connectors, sensors, and other emissions-related assemblies.

Where a warrantable condition exists, B&S will repair your engine at no cost to you including diagnosis, parts, and labor.

Manufacturer's Warranty Coverage:

Small off-road engines and large spark ignited engines less than or equal to 1.0 liter, and any related emissions components of the equipment, are warranted for two years, or for the time period listed in the respective engine or product warranty statement, whichever is greater. If any emissions-related part on your B&S engine is defective, the part will be repaired or replaced by B&S.

Owner's Warranty Responsibilities:

- As the engine owner, you are responsible for the performance of the required maintenance listed in your Operator's Manual. B&S recommends that you retain all receipts covering maintenance on your engine, but B&S cannot deny warranty solely for the lack of receipts or your failure to ensure the performance of all scheduled maintenance.
- As the engine owner, you should however be aware that B&S may deny you warranty coverage if your engine or a part has failed due to abuse, neglect, improper maintenance, or unapproved modifications.
- You are responsible for presenting your engine to a B&S distribution center, servicing dealer, or other equivalent entity, as applicable, as soon as a problem exists. The warranty repairs should be completed in a reasonable amount of time, not to exceed 30 days. If you have any questions regarding your warranty rights and responsibilities, you should contact B&S at 1-800-444-7774 (in USA) or BRIGGSandSTRATTON.COM.

Briggs & Stratton Emissions Control Warranty Provisions

The following are specific provisions relative to your Emissions Control Warranty Coverage. It is in addition to the B&S engine warranty for non-regulated engines found in the Operator's Manual.

1. Warranted Emissions Parts
Coverage under this warranty extends only to the parts listed below (the emissions control systems parts) to the extent these parts were present on the B&S engine.
 - a. Fuel Metering System
 - Cold start enrichment system (soft choke)
 - Carburetor or fuel injection system
 - Oxygen sensor
 - Electronic control unit
 - Fuel pump module
 - b. Air Induction System
 - Air cleaner
 - Intake manifold
 - c. Ignition System
 - Spark plug(s)
 - Magneto ignition system
 - d. Catalyst System
 - Catalytic converter
 - Exhaust manifold
 - Air injection system or pulse value
 - e. Miscellaneous Items Used in Above Systems
 - Vacuum, temperature, position, time sensitive valves and switches
 - Connectors and assemblies
2. Length of Coverage

Coverage is for a period of two years from date of original purchase, or for the time period listed in the respective engine or product warranty statement, whichever is greater. B&S warrants to the original purchaser and each subsequent purchaser that the engine is designed, built, and equipped so as to conform with all applicable regulations adopted by the Air Resources Board; that it is free from defects in material and workmanship that could cause the failure of a warranted part; and that it is identical in all material respects to the engine described in the manufacturer's application for certification. The warranty period begins on the date the engine is originally purchased.

For engines greater than 80 cc displacement and less than 225 cc displacement:

Category C = 125 hours, Category B = 250 hours, Category A = 500 hours

For engines of 225 cc or more displacement:

Category C = 250 hours, Category B = 500 hours, Category A = 1000 hours

80008114 (Rev F)

The warranty on emissions-related parts is as follows:

- Any warranted part that is not scheduled for replacement as required maintenance in the Operator's Manual supplied, is warranted for the warranty period stated above. If any such part fails during the period of warranty coverage, the part will be repaired or replaced by B&S at no charge to the owner. Any such part repaired or replaced under the warranty will be warranted for the remaining warranty period.
 - Any warranted part that is scheduled only for regular inspection in the Operator's Manual supplied, is warranted for the warranty period stated above. Any such part repaired or replaced under warranty will be warranted for the remaining warranty period.
 - Any warranted part that is scheduled for replacement as required maintenance in the Operator's Manual supplied, is warranted for the period of time prior to the first scheduled replacement point for that part. If the part fails prior to the first scheduled replacement, the part will be repaired or replaced by B&S at no charge to the owner. Any such part repaired or replaced under warranty will be warranted for the remainder of the period prior to the first scheduled replacement point for the part.
 - Add-on or modified parts that are not exempted by the Air Resources Board may not be used. The use of any non-exempted add-on or modified parts by the owner will be grounds for disallowing a warranty claim. The manufacturer will not be liable to warrant failures of warranted parts caused by the use of a non-exempted add-on or modified part.
3. Consequential Coverage
Coverage shall extend to the failure of any engine components caused by the failure of any warranted emissions parts.
4. Claims and Coverage Exclusions
Warranty claims shall be filed according to the provisions of the B&S engine warranty policy. Warranty coverage does not apply to failures of emissions parts that are not original equipment B&S parts or to parts that fail due to abuse, neglect, or improper maintenance as set forth in the B&S engine warranty policy. B&S is not liable for warranty coverage of failures of emissions parts caused by the use of add-on or modified parts.

Look For Relevant Emissions Durability Period and Air Index Information On Your Small Off-Road Engine Emissions Label

Engines that are certified to meet the California Air Resources Board (CARB) small off-road Emissions Standard must display information regarding the Emissions Durability Period and the Air Index. Briggs & Stratton makes this information available to the consumer on our emissions labels. The engine emissions label will indicate certification information.

The **Emissions Durability Period** describes the number of hours of actual running time for which the engine is certified to be emissions compliant, assuming proper maintenance in accordance with the Operator's Manual. The following categories are used:

Moderate:

Engines at or less than 80 cc displacement are certified to be emissions compliant for 50 hours of actual engine running time. Engines greater than 80 cc displacement are certified to be emissions compliant for 125 hours of actual engine running time.

Intermediate:

Engines at or less than 80 cc displacement are certified to be emissions compliant for 125 hours of actual engine running time. Engines greater than 80 cc displacement are certified to be emissions compliant for 250 hours of actual engine running time.

Extended:

Engines at or less than 80 cc displacement are certified to be emissions compliant for 300 hours of actual engine running time. Engines greater than 80 cc displacement are certified to be emissions compliant for 500 hours of actual engine running time.

For example, a typical walk-behind lawn mower is used 20 to 25 hours per year. Therefore, the **Emissions Durability Period** of an engine with an **intermediate** rating would equate to 10 to 12 years.

Briggs & Stratton engines are certified to meet the United States Environmental Protection Agency (USEPA) Phase 2 or Phase 3 emissions standards. The Emissions Compliance Period referred to on the Emissions Compliance label indicates the number of operating hours for which the engine has been shown to meet Federal emissions requirements.

For engines at or less than 80 cc displacement:

Category C = 50 hours, Category B = 125 hours, Category A = 300 hours

Това ръководство съдържа сведения за безопасна работа, за да сте наясно с аварията и опасностите, свързани с тези двигатели и как да ги избягвате. То съдържа и инструкции за правилната им употреба и поддръжка. Тъй като в Корпорация Briggs & Stratton не биха могли да знаят каква машина ще се задвижва с този двигател, важно е да прочетете и разберете тези инструкции и инструкциите за задвижваната машина. **Запишете тези оригинални инструкции за бъдещи справки.**

Забележка: Фигурите и илюстрациите в това ръководство са дадени само за справка и могат да се различават от вашия специфичен модел. Свържете се с вашия дистрибутор, ако имате въпроси.

За да получите резервни части или техническа помощ в бъдеще, запишете тук модела, типа и кодовия номер на двигателя си заедно с датата на закупуването му. Тези номера са поставени върху вашия двигател (вижте раздел **Характеристики и управление**).

Дата на купуване	
Модел на двигателя - Вид - Настройка	
Сериен номер на двигателя	

Търсете двукоординатен баркод (2D), поставен на някои двигатели. Когато се разчита с 2D-четящо устройство, кодът ще ви даде нашата Интернет страница, където можете да имате достъп до информация за поддръжка на този продукт. Въвеждане на данни. В някои страни е възможно да няма он-лайн достъпна информация за поддръжка.




Информация за рециклиране





Всичките опаковки, отработеното масло и акумулаторите трябва да бъдат рециклирани според действащите правителствени постановления.


Безопасност на оператора

Предупредителни символи за безопасност и предупредителни думи

Предупредителният символ за безопасност  се използва за обозначаване на информацията за безопасност, свързани с опасности, които могат да доведат до нараняване. Предупредителните думи (ОПАСНОСТ, ПРЕДУПРЕЖДЕНИЕ или ВНИМАНИЕ) се използват заедно с предупредителен символ, за да обозначат вероятността и потенциалната тежест на нараняването. Предупредителен символ за безопасност може да се използва, за да покаже типа на опасността.

















 **ОПАСНО** посочва опасност, която, ако не бъде избегната, ще доведе до смърт или сериозно нараняване.

 **ПРЕДУПРЕЖДЕНИЕ** посочва опасност, която, ако не бъде избегната, може да доведе до смърт или сериозно нараняване.

 **ВНИМАНИЕ** посочва опасност, която, ако не бъде избегната, би могла да доведе до малка или средна степен на нараняване.

ПРЕДУПРЕЖДЕНИЕ посочва ситуация, която би могла да доведе до повреждане на продукта.

Символи за опасности и техните значения

Символ	Значение	Символ	Значение
	Информация по техника на безопасност относно рискове, които могат да причинят нещастен случай.		Прочетете и разберете Ръководството за оператора, преди да работите или правите техническо обслужване на агрегата.
	Опасност от пожар		Опасност от взрив
	Опасност от ударно въздействие		Опасност от токсични изпарения
	Опасност от нагорещена повърхност		Опасност от висок шум - При продължително ползване се препоръчва защита на слуха.
	Опасност от изхвърляне на предмет - Носете защитни очила.		Опасност от взрив
	Опасност от обледяване		Опасност от откат (обратен удар)
	Опасност от отрязване на крайник - движещи се части		Опасност от химикали
	Опасност от топлинно въздействие		Корозивен

Съобщения за безопасност



ПРЕДУПРЕЖДЕНИЕ

Някои от съставните елементи на този продукт и свързаните с тях приспособления съдържат химически вещества, известни в щата Калифорния като причинители на рак, увреждания при новородени или други увреждания, свързани с репродуктивната способност. След работа с тях, измийте ръцете си.



ПРЕДУПРЕЖДЕНИЕ

Изгорелите газове от този продукт съдържат химически вещества, известни в щата Калифорния като причинители на рак, увреждания при новородени или други увреждания, свързани с репродуктивната способност.



ПРЕДУПРЕЖДЕНИЕ

Двигателите на Briggs & Stratton не са предназначени за и не трябва да се използват за захранване на: развлекателни картове; състезателни картове; детски, развлекателни или спортни вседходни превозни средства (АТВ-та); мотоциклети; съдове на въздушна възглавница; продукти за авиацията или превозни средства, използвани в състезания, които не са разрешени от Briggs & Stratton. За информация относно изделия за състезателни цели вижте www.briggsracing.com. При използване на АТВ, моля, свържете се с Приложния център за двигатели на Briggs & Stratton на тел. 1-866-927-3349. Неправилното приложение на двигателя може да причини нещастен случай или смърт.



ПРЕДУПРЕЖДЕНИЕ



Горивото и неговите пари са изключително огнеопасни и избухливи.

Пожар или взрив могат да причинят сериозни изгаряния или смърт.

Когато доливате гориво

- Изключете двигателя и го оставете да изстине за поне 3 минути, преди да свалите капачката на горивото.
- Пълнете резервоара за гориво на открито или в добре проветриво помещение.
- Не препълвайте резервоара за гориво. За да оставите възможност за разширение на горивото, не пълнете над долната част на на гърлото на резервоара.
- Дръжте горивото далече от искри, открити пламъци, пилотни светлини, топлина и други източници на запалване.
- Проверявайте често горивопроводите, резервоара, капачката и съединенията за пукнатини или течове. Сменете ги, ако е необходимо.
- Ако горивото се разлее, изчакайте докато се изпари, преди да стартирате двигателя.

При стартиране на двигателя

- Уверете се, че запалителната свещ, шумозаглушителя, капачката на резервоара за гориво и въздушния филтър (ако има такива) са на мястото си и са обезопасени.
- Не развъртайте двигателя с извадена запалителна свещ.
- Ако двигателят се задави, поставете смучака (ако има такъв) в позиция OPEN/RUN (Отворен/Работа), преместете дросела (ако има такъв) в позиция FAST (Бързо) и въртете докато двигателя стартира.

При работа с оборудването

- Не наклонявайте двигателя или машината под ъгъл, който води до разливане на горивото.
- Не запущайте камерата на карбуратора, за да спрете двигателя.
- Никога не стартирайте и не работете с двигателя при отстранен комплект на въздушния филтър (ако има такъв) или при отстранен въздушен филтър (ако има такъв).

Когато сменяте маслото

- Ако източвате маслото от горната тръба за пълнене с масло, резервоарът за гориво трябва да бъде празен или то може да изтече и да причини пожар или експлозия.

При наклоняване на устройството за техническо обслужване

- Когато извършвате техническо обслужване, изискващо наклоняване на устройството, резервоарът за гориво, ако е снабден с такъв двигателя, трябва да бъде празен, или то може да изтече и да причини пожар или експлозия.

При транспортиране на оборудването

- Транспортирайте с ПРАЗЕН резервоар за горивото или с клапан за подаване на горивото на ЗАТВОРЕНА позиция.

Когато съхранявате гориво или оборудване с гориво в резервоара

- Съхранявайте далече от пещи, печки, водонагреватели или други електрически уреди, които имат сигнални лампи или други запалителни източници, защото те могат да възпламенят изпаренията от горивото.



ПРЕДУПРЕЖДЕНИЕ



Пускането на двигателя създава искрене.

Искрението може да запали близките запалими газове.

Биха могли да възникнат експлозия и пожар.

- Ако има изтичане на природен или втечен газ пропан в помещението, не стартирайте двигателя.
- Не използвайте течности за начално запалване под налягане, защото парите им са възпламеними.



ПРЕДУПРЕЖДЕНИЕ



ОПАСНОСТ ОТ ОТРОВНИ ГАЗОВЕ. Отработените газове от двигателя съдържат въглероден оксид, отровен газ, който би могъл да Ви убие за минути. **Вие НЕ МОЖЕТЕ да го видите, да го помиришете или вкусите.** Дори ако не помиришете отработените газове, все още може да бъдете изложени на въздействието на въглеродния оксид. Ако усетите гадене, замаяване или слабост докато използвате този продукт, **ВЕДНАГА излезте на чист въздух. Посетете лекар.** Възможно е да сте получили отравяне от въглероден оксид.

- Работете с този продукт САМО на открито, далече от прозорци, врати и вентилационни отвори, за да намалите риска от натрупване на въглероден оксид и евентуалното му пренасяне към обитавани пространства.
- Монтирайте сигнални уредби за въглероден оксид, захранвани с батерии или такива, захранвани чрез контакт, които се включват при появата му, според инструкциите на производителя. Сигналните уредби за дим не могат да засичат въглероден оксид.
- **НЕ РАБОТЕТЕ** с този продукт в домове, гаражи, мазета, непреходни коридори, хангари или други частично затворени помещения, дори при използване на вентилатори или при отворени врати и прозорци за вентилация. Въглеродният оксид може бързо да се натрупа в тези помещения и да се задържи в продължение на часове, дори след като този продукт е изключен.
- **ВИНАГИ** поставяйте този продукт по посока на въздушното течение и насочвайте изгорелите газове от двигателя далеч от обитаваните помещения.



ПРЕДУПРЕЖДЕНИЕ



Бързото издърпване на пусковото въже (обратен удар) придърпва ръката към двигателя по-бързо, отколкото можете да я отдръпнете.

Това може да причини счупени кости, фрактури, контузии или навяхвания.

- При стартиране на двигателя, издърпайте бавно пусковото въже докато усетите съпротивление, а след това дръпнете рязко, за да избегнете обратния удар.
- Изключете всички външни товари на оборудването/двигателя преди да го стартирате.
- Директно прикачените към двигателя елементи като, но не само, ножове, перки, лебедки, зъбни колела и други, трябва да бъдат сигурно прикрепени.



ПРЕДУПРЕЖДЕНИЕ



Въртящите се части могат да захванат или завлекат ръцете, краката, косата, облеклото или аксесоари.

Може да се достигне до травматична ампутация или сериозно нараняване.

- Работете с двигателя при поставени защитни капаци.
- Дръжте ръцете и краката си на разстояние от въртящите се части.
- Връзвайте дълги коси и и сваляйте бижута преди да работите с устройството.
- Не носете по себе си широко облекло, висящи шнурове или вещи, които могат да бъдат захванати.



ПРЕДУПРЕЖДЕНИЕ



Работещите двигатели отделят топлина. Частите на двигателя, особено шумозаглушителя, стават изключително горещи.

При контакт може да се получат сериозни топлинни изгаряния.

Запалими отпадъци като листа, трева, сухи клонки и др., могат да бъдат запалени.

- Оставете шумозаглушителя, цилиндъра на двигателя и охлаждащите пластини да се охладят, преди да ги докосвате.
- Отстранете натрупаните отпадъци от зоните на шумозаглушителя и цилиндъра.
- Според Правилника на Калифорния за обществените ресурси, Раздел 4442, използването или работата с двигателя по залесени с гори, храсти или с треви площи, представлява нарушение, освен ако системата за отработени газове не е снабдена с искрогасител, поддържан в ефикасно работно състояние, както е определено в Раздел 4442. Възможно е други щатски или федерални законодателства да имат подобни закони. Свържете се с производителя, търговеца или продавача на оригинално оборудване, за да получите

искроуловител, проектиран за системата за отработени газове на този двигател.



ПРЕДУПРЕЖДЕНИЕ

Случайно искрене може да доведе до пожар или електрически удар.

Случайно стартиране може да доведе до захващане, травматична ампутация или разкъсване на плътта.

Опасност от пожар

Преди извършване на регулировки или поправки:

- Откачете кабела на запалителната свещ и го дръжте далеч от нея.
- Откачете отрицателната клемма на акумулатора (само при двигатели с електрически стартер).
- Използвайте само правилните инструменти.
- Не застопорявайте с регулираща пружина, връзки или други части, за да повишавате оборотите на двигателя.
- Резервните части трябва да бъдат със същата конструкция и да се монтират в същото положение, както оригиналните части. Части от друг производител може да не работят добре, може да повредят устройството или да доведат до нараняване.
- Не удярайте маховика с чук или твърд предмет, защото той може да се счупи по време на работа.

Когато тествате за искра:

- Използвайте одобрен тестер за свещи.
- Не проверявайте за искра при извадена свещ.

Елементи и управления

Управления на двигателя

Сравнете илюстрацията (фигура: 1, 2, 3) с вашия двигател, за да се запознаете с разположението на различните елементи и управления.

- A. Идентификационни номера на двигателя **Модел - Тип - Код**
- B. Запалителна свещ
- C. Въздушен филтър
- D. Ръкохватка на въжето за ръчния стартер (ако има такъв)
- E. Нивопоказател
- F. Пробка за източване на маслото
- G. Шумозаглушител, кожух на шумозаглушителя (ако има такъв), искрогасител (ако има такъв)
- H. Решетка на отвора за въздух
- I. Решетка на отвора за въздух
- J. Маслен филтър (ако има такъв)
- K. Електрически стартер (ако има такъв)
- L. Карбуратор
- M. Филтър за гориво (ако има такъв)
- N. Горивна помпа (ако има такава)
- O. Отвор за бързо източване на маслото (ако има такъв)
- P. Електронен управляващ блок (ако има такъв)

Символи за управление на двигателя и техните значения

Символ	Значение	Символ	Значение
	Обороти на двигателя - FAST (бързи)		Обороти на двигателя - SLOW (бавни)
	Обороти на двигателя - STOP (спрян)		ON - OFF (Вкл. - Изкл.)

Символ	Значение	Символ	Значение
	Стартиране на двигателя - Смукач CLOSED (затворен)		Стартиране на двигателя - Смукач OPEN (отворен)
	Капачка на резервоара за гориво Кранче за подаване на гориво - OPEN (отворено)		Кранче за подаване на гориво - CLOSED (затворено)
	Ниво на горивото - Максимално Не препълвайте		

Работа

Препоръки за маслото

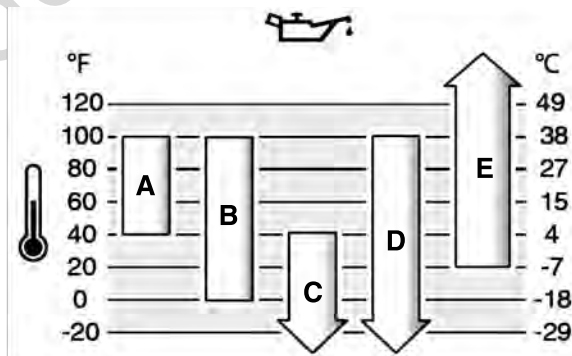
Вместимост на масло: Вижте *Раздел Спецификации на маслото*.

ПРЕДУПРЕЖДЕНИЕ

Този двигател се доставя от Briggs & Stratton без масло. Производителите на оборудването или търговците може да са добавили масло в двигателя. Преди да стартирате двигателя за първи път, се уверете, че сте проверили и добавили масло в него според инструкциите в настоящото ръководство. Ако стартирате двигателя без масло, той ще се повреди, без да бъде възможно да се ремонтира и без покритие от гаранцията.

За най-добро представяне препоръчваме да се използват сертифицираните масла с гаранция на Briggs & Stratton. Приемливи са и други висококачествени прочистващи масла от клас SF, SG, SH, SJ или по-висок. Не използвайте специални добавки.

Външните температури определят правилния вискозитет на маслото за двигателя. Използвайте таблицата, за да изберете най-добрия вискозитет според очаквания диапазон на външната температура. Двигателите на по-голямата част от оборудването с външно захранване работят добре със синтетично масло 5W-30. За оборудване, което се използва при високи температури, синтетичното масло Vanguard™ 15W-50 осигурява най-добра защита.



A	SAE 30 - При температури под 40°F (4°C) употребата на SAE 30 ще доведе до трудно стартиране.
B	10W-30 - При температури над 80°F (27°C) употребата на 10W-30 може да предизвика повишен разход на масло. Проверявайте нивото на маслото често.
C	5W-30
D	Синтетично масло 5W-30
E	Vanguard™ Synthetic 15W-50

Проверете нивото на маслото

Вижте фигура: 4

Преди наливане или проверяване на маслото

- Уверете се, че двигателят е хоризонтално разположен.
- Почистете мястото около отвора за наливане на масло от всички отломки.

1. Свалете нивопоказателя за маслото (A, фигура 4) и го избършете с чиста кърпа.

2. Поставете и затегнете нивопоказателя (А, фигура 4).
3. Свалете нивопоказателя и проверете нивото на маслото. Коририрайте нивото на маслото до горния белег за напълване (В, фигура 4) върху нивопоказателя.
4. Ако нивото на маслото е ниско, внимателно долейте през отвора за наливане на масло (С, Фигура 4). **Не прелътвайте.** След наливане на маслото изчакайте една минута и след това отново проверете нивото му.

Забележка: Не добавяйте масло в пробката за бързо източване, ако има такава. За местоположението ѝ погледнете **Параметри и органи за управление.**

5. Поставете и затегнете отново нивопоказателя (А, фигура 4).

Система за защита при ниско ниво на маслото (ако има такава)

Някои двигатели са оборудвани с датчик за ниско ниво на маслото. Ако нивото на маслото е ниско, датчикът или ще включи сигнален индикатор или ще спре двигателя. Спрете двигателя и следвайте тези етапи, преди да го пуснете отново.

- Уверете се, че двигателят е хоризонтално разположен.
- Проверете нивото на маслото. Направете справка в раздела **Проверка на нивото на маслото.**
- Ако нивото на маслото е ниско, долейте съответното количество масло. Пуснете двигателя и се уверете, че предупредителният индикатор (ако има такъв) не е задействан.
- Ако нивото на маслото е ниско, не пускайте двигателя. Свържете се с Оторизиран сервизен представител на Briggs & Stratton за отстраняване на проблема с маслото.

Препоръки за горивото

Горивото трябва да отговаря на следните изисквания:

- Чист, пресен, безоловен бензин.
- Минимално октаново число от 87/87 AKI (антидетонационен коефициент)(91 RON)(пътно октаново число). За използване при голяма надморска височина, вижте по-долу.
- Бензин, с не повече от 10% съдържание на етанол (бензоспирт), е допустим.

ПРЕДУПРЕЖДЕНИЕ Да не се използват неодобрени марки бензини, като напр. E15 и E85. Да не се смесва масло и бензин и да не се модифицира двигателят за работа с алтернативни горива. Използването на неодобрени горива ще причини повреда на детайли от двигателя, която няма да бъде под гаранция.

За да предпазите горивната система от образуването на смоли, прибавете стабилизатор на горивото към него. Вижте **Складиране.** Не всички горива са еднакви. Ако изникнат проблеми със стартирането или техническите показатели, сменете доставчика на гориво или сменете търговските марки гориво. Този двигател има сертификат да работи с бензин. Системата за контрол над вредните емисии за двигателя е тип EM (Модификации на двигателя).

Голяма надморска височина

При надморска височина над 5 000 фута (1524 метра) е приемлив бензин с октаново число минимум 85 /85 AKI (89 RON), където AKI е антидетонационен коефициент, а RON е окт. число по метода на изследване.

При двигатели с карбуратор се изисква регулиране за голяма надморска височина, за да се поддържа производителността им. Работа на двигателя, без да е направено такова регулиране, ще доведе до намаляване на производителността, повишено потребление на гориво и по-голямо отделяне на емисии. Направете справка при Оторизиран сервизен представител на Briggs & Stratton за сведения относно настройката за голяма надморска височина. Не се препоръчва работа на двигателя при надморска височина под 2 500 фута (762 м) с направено регулиране за голяма надморска височина.

За двигателите (EFI) с електронно управление на впръскването на гориво не е необходимо регулиране за голяма надморска височина.

Наливане на гориво

Вижте Фигура: 5



ПРЕДУПРЕЖДЕНИЕ

Горивото и неговите пари са изключително огнеопасни и избухливи.

Пожар или взрив могат да причинят сериозни обгаряния или смърт.

При доливане на гориво

- Изключете двигателя и го оставете да се охлади най-малко 2 минути, преди да свалите капачката на резервоара за гориво.
- Пълнете резервоара за гориво на открито или в добре проветриво помещение.
- Не прелътвайте резервоара за гориво. За да позволите разширение на бензина, не пълнете над долната основа на гърловината за наливане на гориво.
- Дръжте горивото далеч от искри, открити пламъци, сигнални лампи, топлина и други запалителни източници.
- Проверявайте често горивопроводите, резервоара, капачката и съединенията за пукнатини и течове. Заменяйте ги ако е необходимо.
- Ако горивото се разлее, изчакайте докато то се изпари, преди да стартирате двигателя.

1. Почистете пространството около капачката на резервоара за гориво от мръсотия и наслоявания. Свалете капачката за горивото.
2. Напълнете резервоара за гориво (А, Фигура 5) с гориво. За да позволите разширение на горивото, не пълнете над долната основа на гърловината за наливане на гориво (В).
3. Поставете обратно капачката.

Стартиране и спиране на двигателя

Вижте фигура: 6

Стартиране на двигателя



ПРЕДУПРЕЖДЕНИЕ

Бързото притегляне на пусковото въже (обратен удар) придърпва ръката към двигателя по-бързо, отколкото вие можете да я отдръпнете.

Това може да причини счупени кости, фрактури, контузии и навяхвания.

- При стартиране на двигателя изтеглете бавно пусковото въже, докато почувствате съпротивление, след което го дръпнете рязко, за да избегнете обратния удар.



ПРЕДУПРЕЖДЕНИЕ

Горивото и неговите пари са изключително огнеопасни и избухливи.

Пожар или взрив могат да причинят сериозни обгаряния или смърт.

При стартиране на двигателя

- Уверете се, че запалителната свещ, шумозаглушителя, капачката на резервоара за гориво и въздушния филтър (ако има такива) са на мястото си и са безопасни.
- Не развъртайте двигателя с извадена запалителна свещ.
- Ако двигателят се задави, поставете смукача (ако има такъв) на позиция OPEN / RUN, придвижете ръчната газ (ако има такава) на позиция FAST и развъртайте, докато двигателят стартира.



ПРЕДУПРЕЖДЕНИЕ

ОПАСНОСТ ОТ ОТРОВНИ ГАЗОВЕ. Отработилите газове от двигателя съдържат въглероден оксид, отровен газ, който би могъл да ви убие за минути. Вие **НЕ МОЖЕТЕ** да го видите, да го помиришете или вкусите. Дори ако не можете да помиришете отработилите газове, вие, все още, може да бъдете изложени на въздействието на въглеродния оксид. Ако започнете да се чувствате зле, объркан или отслабнал, когато ползвате това изделие, излезте **ВЕДНАГА** на чист въздух. Отидете на лекар. Възможно е да сте получили отравяне от въглероден оксид.

- Работете с този продукт САМО на открито, далеч от прозорци, врати и вентилационни отвори, за да намалите опасността от натрупване на въглероден окис и от потенциалното му насочване към помещения с хора.
- Монтирайте сигнални уредби за въглероден оксид, захранвани с батерии или с такива, включващи се от появата му, според инструкциите на производителя. Сигналните уредби за димни газове не могат да откриват въглеродния оксид.
- **НЕ ПУСКАЙТЕ** този продукт вътре в домове, гаражи, сутерени, непреходни коридори, хангари или други частично затворени помещения, дори при използване на вентилатори или отворени врати и прозорци за вентилация. Въглеродният оксид може бързо да се натрупа в тези помещения и да се задържи в продължение на часове, дори след като този продукт е изключен.
- **ВИНАГИ** поставяйте този продукт по посока на въздушното течение и насочвайте отработилите димни газове надалеко от заетите с хора помещения.

ПРЕДУПРЕЖДЕНИЕ Този двигател се доставя от Briggs & Stratton без масло. Преди да стартирате двигателя се уверете, че сте налили масло в него според инструкциите в настоящото ръководство. Ако го стартирате без масло, той ще се повреди, без да бъде възможно да се ремонтира и без покритие от гаранцията.

Определяне на системата за стартиране

Преди стартиране на двигателя вие трябва да определите вида на системата за стартиране, която е монтирана на него. Вашият двигател има един от следващите по-долу видове.

- **Система ReadyStart®:** Той има автоматичен смучач, управляван от температурата. Този вид няма подкачваща помпа.
- **Система за електронно управление на горивото:** Тя има електронен управляващ блок, който наблюдава двигателя и температурните условия. Този тип няма смучач или подкачваща помпа.
- **Система със смучач:** Това означава да се използва смучач за стартиране при ниски температури. Някои модели притежават отделен лост за смучача, докато други имат комбинация смучач / ръчна газ. Този вид няма подкачваща помпа.

За да стартирате двигателя си, следвайте инструкциите за вашия вид система за стартиране.

Забележка: Съоръжението може да има устройства за дистанционно управление. Направете справка в Ръководството за работа с оборудването за разположението и работата с устройствата за дистанционно управление.

Система ReadyStart®

1. Проверете маслото в двигателя. Направете справка в раздела **Проверка на нивото на маслото**.
2. Уверете се, че задвижващите управления на оборудването, ако има такива, са изключени.
3. Завъртете кранчето за подаване на гориво (А, Фигура 6), ако има такова, до позиция OPEN (Отворена).
4. Преместете ръчната газ (В, фигура 6), ако има такава, на позиция FAST. Работете с двигателя с ръчна газа на позиция FAST.

Забележка: За стартиране при ниски температури (под 32° F), преместете лоста на комбинацията смучач / ръчна газ (В С, фигура 6) до позицията на смучача.

5. **Превключвател с ключ, ако има такъв:** Завъртете превключвателя с ключ (D, Фигура 6) до позиция ВКЛЮЧВАНЕ / СТАРТИРАНЕ.

Бутон за стартиране / спиране, ако има такъв: Натиснете бутона за стартиране / спиране (F, фигура 6).

ПРЕДУПРЕЖДЕНИЕ За да продължите живота на стартера, използвайте кратки стартови цикли (максимум пет секунди). Изчакайте една минута между отделните стартови цикли.

Забележка: Ако двигателят не стартира след няколкократни опити, посетете местния дилър или отидете на BRIGGSandSTRATTON.com, или се обадете на **1-800-233-3723** (в САЩ).

Система за електронно управление на горивото

1. Проверете маслото в двигателя. Направете справка в раздела **Проверка на нивото на маслото**.
2. Уверете се, че задвижващите управления на оборудването, ако има такива, са изключени.
3. Завъртете кранчето за подаване на гориво (А, Фигура 6), ако има такова, до позиция OPEN (Отворена).
4. Преместете ръчната газ (В, фигура 6), ако има такава, на позиция FAST. Работете с двигателя с ръчна газа на позиция FAST.
5. **Ръчно стартиране, ако има такова:** Завъртете превключвателя с ключ (D, Фигура 6) до позиция ВКЛЮЧВАНЕ / СТАРТИРАНЕ.
6. **Ръчно стартиране, ако има такова:** Хванете здраво ръкохватката на въжето за стартера (Е, фигура 6). Изтеглете бавно ръкохватката на въжето на стартера, докато почувствате съпротивление, след което го дръпнете рязко.



ПРЕДУПРЕЖДЕНИЕ

Бързото оттегляне на пусковото въже (обратен удар) ще притегли цялата ви ръка към двигателя по-бързо, отколкото вие можете да я оттеглите. Това може да причини счупени кости, фрактури, контузии и навяхвания. При стартиране на двигателя изтеглете бавно пусковото въже, докато почувствате съпротивление, след което го дръпнете рязко, за да избегнете обратния удар.

7. **Електрически стартер, ако има такъв:** Завъртете превключвателя с ключ (D, Фигура 6) до позиция ВКЛЮЧВАНЕ / СТАРТИРАНЕ.

ПРЕДУПРЕЖДЕНИЕ За да продължите живота на стартера, използвайте кратки стартови цикли (максимум пет секунди). Изчакайте една минута между отделните стартови цикли.

Забележка: Ако двигателят не стартира след няколкократни опити, посетете местния дилър или отидете на BRIGGSandSTRATTON.com, или се обадете на **1-800-233-3723** (в САЩ).

Система със смучач

1. Проверете маслото в двигателя. Направете справка в раздела **Проверка на нивото на маслото**.
2. Уверете се, че задвижващите управления на оборудването, ако има такива, са изключени.
3. Завъртете кранчето за подаване на гориво (А, Фигура 6), ако има такова, до позиция OPEN (Отворена).
4. Преместете ръчната газ (В, Фигура 6), ако има такава, на позиция FAST. Работете с двигателя с ръчна газа на позиция FAST.
5. Преместете лоста на смучача (С, Фигура 6) на позиция CLOSED (затв.). При модели с комбинация смучач / ръчна газ (В С), преместете лоста на смучача на позиция CHOKE (смучач).

Забележка: Обикновено използването на смучач не е необходимо при повторно стартиране на топъл двигател.

6. **Ръчно стартиране, ако има такова:** Завъртете превключвателя с ключ (D, Фигура 6) до позиция ВКЛЮЧВАНЕ / СТАРТИРАНЕ.
7. **Ръчно стартиране, ако има такова:** Хванете здраво ръкохватката на въжето за стартера (Е, Фигура 6). Изтеглете бавно ръкохватката на въжето на стартера, докато почувствате съпротивление, след което го дръпнете рязко.



ПРЕДУПРЕЖДЕНИЕ

Бързото оттегляне на пусковото въже (обратен удар) ще притегли цялата ви ръка към двигателя по-бързо, отколкото вие можете да я оттеглите. Това може да причини счупени кости, фрактури, контузии и навяхвания. При стартиране на двигателя изтеглете бавно пусковото въже, докато почувствате съпротивление, след което го дръпнете рязко, за да избегнете обратния удар.

8. **Електрически стартер, ако има такъв:** Завъртете превключвателя с ключ (D, Фигура 6) до позиция ВКЛЮЧВАНЕ / СТАРТИРАНЕ.

ПРЕДУПРЕЖДЕНИЕ За да продължите живота на стартера, използвайте кратки стартови цикли (максимум пет секунди). Изчакайте една минута между отделните стартови цикли.

9. Щом двигателят загрее, поставете лоста на смучача (С, Фигура 6) на позиция OPEN (отв.). При модели с комбинация смучач / ръчна газ (В С), преместете лоста на смучача на позиция FAST.

Забележка: Ако двигателят не стартира след няколкократни опити, свържете се с местния дилър или отворете BRIGGSandSTRATTON.com или се обадете на **1-800-233-3723** (в САЩ).

Спиране на двигателя



ПРЕДУПРЕЖДЕНИЕ



Горивото и неговите пари са изключително огнеопасни и избухливи.

Пожар или взрив могат да причинят сериозни обгаряния или смърт.

- Не запушвайте камерата на карбуратора, за да спрете двигателя.

1. **Превключвател с ключ, ако има такъв:** При ръчна газ в позиция „FAST“ (Бързо), завъртете превключвателя с ключ (D, Фигура 6) до позиция „OFF“ (Изкл.). Свалете ключа и го дръжте на безопасно място, далеч от обсега на деца.
Бутон за стартиране / спиране, ако има такъв: При ръчна газ в положение „FAST“ (Бързо), натиснете бутона за СТАРТИРАНЕ / СПИРАНЕ (F, фигура 6).
2. След спирането на двигателя, завъртете кранчето за подаване на гориво (А, фигура 6), ако има такова, до позиция CLOSED (Затворена).

Техническо обслужване

ПРЕДУПРЕЖДЕНИЕ Ако по време на техническо обслужване двигателят е наклонен, при монтиран резервоар за горивото, той трябва да бъде изпразнен, а страната със запалителната свещ да бъде насочена нагоре. Ако резервоарът не е изпразнен, а двигателят е наклоняван в друга посока, стартирането може да бъде затруднено, поради замърсяване на въздушния филтър и/или запалителната свещ с масло или бензин.



ПРЕДУПРЕЖДЕНИЕ

Когато извършвате техническо обслужване, изискващо наклоняване на агрегата, резервоарът за гориво трябва да бъде изпразнен, или горивото може да потече и да причини пожар или взрив.

Ние ви препоръчваме да посетите Оторизиран сервизен представител на Briggs & Stratton за всички операции по техническото и сервизното обслужване на двигателя и резервните части.

ПРЕДУПРЕЖДЕНИЕ Всички компоненти, използвани при производството на този двигател, трябва да бъдат на мястото си за правилната му работа.



ПРЕДУПРЕЖДЕНИЕ



Случайно искрене може да доведе до пожар или поразяване от електрически ток.

Неволно стартиране може да доведе до захващане, травматична ампутация или до раняване.

Опасност от пожар

Преди извършване на регулировки и поправки:

- Откачете кабела на запалителната свещ и го дръжте далеч от нея.
- Откачете минус-клемата на акумулатора (само при двигатели с електрически стартер).
- Използвайте само подходящи инструменти.
- Не застопорявайте с регулираща пружина, лостчета или други части, за да повишавате оборотите на двигателя.
- Резервните части трябва да бъдат със същата конструкция и да се монтират в същото положение, както оригиналните части. Части от друг производител може да не работят добре, може да повредят агрегата или да доведат до нараняване.
- Не удряйте маховика с чук или твърд предмет, защото той може да се строши по време на работа.

При изпробване за искра:

- Използвайте одобрен тип тестер за свещи.
- Не проверявайте за искра при извадена свещ.

Сервизно обслужване по контрола на вредните емисии

Техническо обслужване, смяна или ремонт на устройствата и ситемите за контрол на вредните емисии могат да се извършват от всяко предприятие или индивидуален специалист по ремонт на двигатели за превозни средства с повишена проходимост. Все пак, за да получите „безплатно“ сервизно обслужване по контрола на вредните емисии, работата трябва да бъде изпълнена от упълномощен представител на завода. Вижте официалните отчети по контрола на вредните емисии.

График за техническото обслужване

След първите 5 часа
<ul style="list-style-type: none">Да се смени маслото ³
На всеки 8 часа или ежедневно
<ul style="list-style-type: none">Да се проверява нивото на маслото в двигателяДа се почистват повърхностите около шумозаглушителя и управленията.Да се почисти решетката на отвора за въздух
На всеки 25 часа или ежегодно
<ul style="list-style-type: none">Да се почиства въздушния филтър ¹Да се почиства предфилтъра (ако има такъв) ¹

На всеки 50 часа или ежегодно
<ul style="list-style-type: none">Да се смени маслото на двигателя ⁴Да се смени масления филтър (ако има такъв) ⁴Обслужване на изпускателната система
На всеки 100 часа или ежегодно
<ul style="list-style-type: none">Да се смени маслото на двигателя ⁵Да се смени масления филтър (ако има такъв) ⁵
Ежегодно
<ul style="list-style-type: none">Да се сменя запалителната свещДа се сменя въздушния филтърДа се сменява предфилтъра (ако има такъв)Да се сменява масления филтър (ако има такъв)Да се обслужва горивната системаДа се обслужва охладителната система ¹Да се проверява междината на клапаните ²

¹ При наличие на запрашеност или носещи се в околното пространство отломки, да се почиства по-често.

² Не се налага, освен ако не бъдат забелязани проблеми с техническите показатели на двигателя.

³ Само двигатели без маслен филтър.

⁴ Двигател без маслен филтър или със стандартен черен маслен филтър (вижте страницата **Спецификации** за номера на част).

⁵ Двигател с високоефективен жълт или оранжев маслен филтър (вижте страницата **Спецификации** за номера на част).

Система за електронно управление на горивото

Системата за електронно управление на горивото наблюдава температурата и скоростта на двигателя, както и напрежението на акумулатора, за да регулира смукача при стартиране и загряване на двигателя. Не са необходими корекции по системата. Ако възникнат проблеми при стартирането или работата, свържете се с оторизиран дилър на Briggs & Stratton.

ПРЕДУПРЕЖДЕНИЕ Непременно следвайте стъпките по-долу; в противен случай системата за електронно управление на горивото може да се повреди.

- Никога не стартирайте двигателя, ако кабелите на акумулатора са твърде хлабави.
- Завъртете ключа до изключено положение, преди да разедините, свалите или поставите акумулатора.
- Никога не използвайте зарядно устройство за акумулатори, за да стартирате двигателя.
- Никога не разединявайте кабелите на акумулатора, докато двигателят работи.
- При свързване на кабелите на акумулатора първо свържете положителния (+) кабел, а след това отрицателния (-) към акумулатора.
- когато зареждате акумулатора, завъртете ключа на запалването до изключено положение и разединете отрицателния (-) кабел от акумулатора.
- Не пръскайте вода директно върху електронното управляващо устройство.

Карбуратор и обороти на двигателя

Никога не извършвайте настройки на карбуратора и оборотите на двигателя. Карбураторът е заводски регулиран да работи ефикасно при повечето работни условия. Не застопорявайте с регулираща пружина, лостчета или други части, за да промените оборотите на двигателя. Ако се налагат някакви настройки се обърнете към оторизиран сервизен представител на Briggs & Stratton за обслужване.

ПРЕДУПРЕЖДЕНИЕ Производителят на задвижваното оборудване определя максималните обороти за двигателя, монтиран на него. **Не превишавайте тези обороти.** Ако не сте уверени какви са максималните обороти на оборудването или какви обороти са регулирани от завода, свържете се с Оторизиран сервизен представител Briggs & Stratton за помощ. За безопасна и правилна работа на оборудването оборотите на двигателя трябва да се регулират само от квалифициран сервизен техник.

Обслужване на запалителната свещ

Вижте Фигура: 7

Проверявайте междината (А, Фигура 7) с помощта на калибър за тел (В). Ако е необходимо, регулирайте междината. Монтирайте и затегнете свещта с препоръчвания въртящ момент. За регулиране на междината или относно въртящия момент за затягане, направете справка в раздел **Технически данни**.

Забележка: На някои места, местният закон изисква употребата на резисторна свещ, за да се подтискат радиосмущенията. Ако настоящият двигател е фабрично оборудван с резисторна свещ, използвайте същия тип свещ за смяна.

Обслужване на изпускателната система



ПРЕДУПРЕЖДЕНИЕ

Работещите двигатели отделят топлина. Частите на двигателите, особено шумозаглушителя, стават изключително горещи.

При допир може да получите сериозно изгаряне.

Горимите отпадъци, като листа, тревы, храсталак и други, могат да се запалят.

- Оставете шумозаглушителя, цилиндъра на двигателя и ребрата да се охладят, преди да ги докосвате.
- Отстранете натрупаните отломки около шумозаглушителя и цилиндъра.
- Използването или работата с двигателя, по залесени с гори, храсти или с тревни площи, според Правилника на Калифорния за обществените ресурси, Раздел 4442, представлява нарушение, освен ако двигателят не е снабден с искрогасител, поддържан в ефикасно работно състояние, както е определено в Раздел 4442 В другите щати и федерални юрисдикции може да има подобни закони. Свържете се със производителя на оригиналното оборудване, с продавача на дребно или дилъра, за да си набавите искрогасител, проектиран за изпускателната система на този двигател.

Отстранете натрупаните отломки около шумозаглушителя и цилиндъра. Проверете шумозаглушителя за пукнатини, корозия или друг вид повреда. Свалете искрогасителя, ако има такъв, и го проверете за повреда или запушване със сажди. Ако откриете повреда, монтирайте резервните части, преди да започнете работа.



ПРЕДУПРЕЖДЕНИЕ

Резервните части трябва да бъдат със същата конструкция и да се монтират в същото положение, както оригиналните части. Части от друг производител може да не работят добре, може да повредят агрегата или да доведат до нараняване.

Смяна на маслото на двигателя

Вижте фигура: 8, 9, 10, 11

Отработилото масло е опасен отпадъчен продукт и трябва да се складира по подходящ начин. Не го изхвърляйте с домакинските отпадъци. Проверете съвместно с общинските власти, за обслужващ център или за представител на инсталации за безопасно депониране/рециклиране на отработилото масло.

Източване на маслото

1. При изключен, но все още топъл двигател, откачете кабела за свещта (D, Фигура 8) и го дръжте далече от запалителната свещ (E).
2. Свалете нивопоказателя (A, фигура 9).

Пробка за източване на маслото, ако има такава

1. Свалете пробката от отвора за източване на маслото (F, фигура 10). Източете маслото в един подходящ контейнер.

Забележка: Която и да е от пробките за източване на маслото (G, Фигура 10) може да бъде монтирана на двигателя.

2. След като маслото е източено, поставете и затегнете пробката за маслото (F, фигура 10).

Пробка за бързо източване на маслото, ако има такава

1. Разединете маркуча на пробката за бързо източване (H, фигура 11) от страната на двигателя.
2. Отвъртете и свалете капачката на пробката за масло (I, фигура 11). Внимателно отведете пробката за бързо източване (H) в одобрен контейнер (J).
3. След като маслото е източено, поставете пробката за бързо източване на маслото (I, фигура 11). Свържете маркуча на пробката за бързо източване на маслото (H) от страната на двигателя.

Сменете масления филтър, ако има такъв.

Някои модели имат маслен филтър. Относно интервалите за смяната му направете справка в **Графика за техническо обслужване**.

1. Източване на маслото от двигателя. Направете справка в раздел **Източване на маслото**.
2. Свалете масления филтър (K, фигура 9) и го депонирайте по подходящия начин.
3. Преди да монтирате новия маслен филтър, леко смажете филтърната гарнитура с ново, чисто масло.
4. Монтирайте масления филтър на ръка, докато гарнитурата опре във филтърния адаптер, след което го затегнете с още 1/2 до 3/4 оборота.
5. Наливане на масло. Направете справка в раздел **Наливане на масло**.
6. Стартирайте и оставете двигателя да работи. Щом загрее, проверете го за течове на масло.
7. Спрете двигателя и проверете нивото на маслото. Коририрайте нивото на маслото до горния белег за напълване (B, фигура 9) върху нивопоказателя.

Наливане на масло

- Уверете се, че двигателят е хоризонтално разположен.
- Почистете мястото около отвора за наливане на масло от всички отломки.
- Направете справка в раздел **Технически данни** относно вместимостта за маслото.

1. Свалете нивопоказателя за маслото (A, фигура 9) и го избършете с чиста кърпа.
2. Бавно налейте масло през отвора за наливане в двигателя (C, фигура 9). **Не препълвайте.** След наливането на маслото, изчакайте една минута и после отново проверете нивото му.

Забележка: Не добавяйте масло в пробката за бързо източване (H, фигура 11), ако има такава.

3. Поставете и затегнете нивопоказателя (A, фигура 9).
4. Свалете нивопоказателя и проверете нивото на маслото. Коририрайте нивото на маслото до горния белег за напълване (B, фигура 9) върху нивопоказателя.
5. Поставете и затегнете отново нивопоказателя (A, фигура 9).
6. Свържете кабела за запалителната свещ (D, Фигура 8) към запалителната свещ (E).

Обслужване на въздушния филтър

Вижте фигура: 12, 13



ПРЕДУПРЕЖДЕНИЕ



Горивото и неговите пари са изключително огнеопасни и избухливи.

Пожар или взрив могат да причинят сериозни обгаряния или смърт.

- Никога не стартирайте и не работете с двигателя при демонтирани комплект на въздушния филтър (ако има такъв) или въздушен филтър (ако има такъв).

ПРЕДУПРЕЖДЕНИЕ Не използвайте сгъстен въздух или разтворители, за да почиствате филтъра. Сгъстеният въздух може да повреди филтъра, а разтворителите го разтварят.

Направете справка в **Графика за техническото обслужване** относно изискванията за обслужване.

Различни модели използват или филтри от пенопласт, или хартиени филтри. Някои модели са оборудвани и с предфилтър, който може да бъде промиван и повторно използван. Сравнете илюстрациите в това ръководство с типа филтър, монтиран на вашия двигател и го обслужвайте, както следва.

Въздушен филтър с хартиен филтърен елемент

1. Издърпайте нагоре дръжката на капака (A, фигура 12). Завъртете дръжката на капака към двигателя и след това свалете капака (B).
2. Свалете предфилтъра (C, Фигура 12), ако има такъв, и филтъра (D).
3. За да освободите наслояванията, леко почуквайте филтъра (D, Фигура 12) върху твърда повърхност. Ако филтърът е прекомерно замърсен, заменете го с нов.
4. Промийте предфилтъра (C, фигура 12) във воден разтвор на почистващ препарат. Оставете предфилтъра (C) да изсъхне съвършено във въздушна среда. **Не смазвайте предфилтъра.**

5. Сглобете сухия предфилтър (С, фигура 12) и филтъра (D) към основата на двигателя.
6. Подравнете езичетата (F, фигура 12) на капака (B) с отворите (G) в корпуса на вентилатора.
7. Завъртете дръжката на капака (A, фигура 12) назад и я избутайте надолу, за да я застопорите.

Въздушен филтър с хартиен филтърен елемент

1. Разхлабете фиксатора (ите) (A, фигура 13).
2. Свалете капака (B, фигура 13).
3. За да свалите филтъра (C, фигура 13), повдигнете края му и след това издърпайте филтъра през входящия отвор (D).
4. За да освободите наслояванията, леко почуквайте филтъра (C, фигура 13) върху твърда повърхност. Ако филтърът е прекомерно замърсен, заменете го с нов.
5. Свалете предфилтъра (E, фигура 13), ако има такъв, от филтъра (C).
6. Промийте предфилтъра (E, фигура 13), ако има такъв, във воден разтвор на почистващ препарат. Оставете предфилтъра да изсъхне съвършено във въздушна среда. Не смазвайте предфилтъра.
7. Монтирайте изсъхналия предфилтър (E, фигура 13), ако има такъв, към филтъра (C).
8. Монтирайте филтъра (C, фигура 13) на входния отвор (D). Избутайте края на филтъра надолу към основата на двигателя. Уверете се, че филтърът пасва стабилно към основата на двигателя.
9. Монтирайте капака на въздушния филтър (B, фигура 13) и го закрепете със фиксатора(ите) (A).

Обслужване на горивната система

Вижте Фигура: 14, 15



Горивото и неговите пари са изключително огнеопасни и избухливи.

Пожар или взрив могат да причинят сериозни обгаряния или смърт.

- Дръжте горивото далеч от искри, открити пламъци, сигнални лампи, топлина и други запалителни източници.
- Проверявайте често горивопроводите, резервоара, капачката и съединенията за пукнатини и течове. Заменяйте ги ако е необходимо.
- Преди почистване или смяна на филтъра за гориво, източете резервоара или затворете кранчето за подаване на гориво.
- Ако горивото се разлиее, изчакайте докато то се изпари, преди да стартирате двигателя.
- Резервните части трябва да бъдат със същото качество и да се монтират в същата позиция, както оригиналните части.

Филтър за горивото, ако има такъв

1. Преди почистване или смяна на филтъра за гориво (D, Фигура 14), източете резервоара или затворете кранчето за подаване на гориво. В противен случай, горивото може да протече, създавайки опасност от пожар или взрив.
2. Използвайте плоски клещи да притиснете пластините (B, Фигура 14) на скобите (C), след това плъзнете скобите настрана от филтъра за гориво (A). Усучете и изтеглете горивопроводите (D) от филтъра за гориво.
3. Проверете горивопроводите (D, Фигура 14) за пукнатини или течове. Сменете ги, ако е необходимо.
4. Сменете филтъра за гориво (A, Фигура 14) с оригинален резервен филтър.
5. Закрепете горивопроводите (D, Фигура 14) със скобите (C), както е показано.

Филтър за горивото, ако има такъв

1. Свалете капачката на резервоара за горивото (A, Фигура 15).
2. Свалете капачката на резервоара за горивото (A, Фигура 15).
3. Ако филтърът за горивото е замърсен, почистете го или го сменете. Ако я смените, уверете се, че поставяте оригинална цедка за гориво.

Обслужване на охладителната система



Работещите двигатели отделят топлина. Частите на двигателите, особено шумозаглушителя, стават изключително горещи.

При допир може да получите сериозно изгаряне.

Горимите отпадъци, като листа, треви, хрсталак и други, могат да се запалят.

- Оставете шумозаглушителя, цилиндъра на двигателя и ребрата да се охладят, преди да ги докосвате.
- Отстранете натрупаните отломки около шумозаглушителя и цилиндъра.

ПРЕДУПРЕЖДЕНИЕ Не използвайте вода, за да почистите двигателя. Водата може да замърси горивната система. Използвайте четка или сух плат, за да го почистите.

Това е двигател с въздушно охлаждане. Нечистотиите и наслояванията могат да ограничат въздушния поток и да причинят прегряването му, което води до намаляване на показателите и продължителността на живота му.

1. Използвайте четка или сух плат, за да отстраните наслояванията от решетката на отвора за въздуха.
2. Пазете чисти лостовата система, пружините и управленията
3. Пазете пространството около и зад шумозаглушителя свободно от всякакви запалими наслоявания.
4. Убедете се, че пластините за охлаждане на маслото са почистени от замърсяване и наслоявания.

След известно време наслояванията могат да се натрупат по охладителните пластини на цилиндъра и да доведат до прегряване на двигателя. Тези наслоявания не могат да се отстранят без частично разглобяване на двигателя. Потърсете Оторизиран сервизен представител на Briggs & Stratton за проверка и почистване на въздушната охладителна система, както се препоръчва в *Графика за техническо обслужване*.

Складиране



Горивото и неговите пари са изключително огнеопасни и избухливи.

Пожар или взрив могат да причинят сериозни изгаряния или смърт.

Когато складирате гориво или оборудване с гориво в резервоара

- Складирайте далече от пещи, печки, водонагреватели или други електрически устройства, които имат сигнални лампи или други запалителни източници, защото те могат да възпламенят изпаренията от горивото.

Горивна система

Вижте Фигура: 16

Съхранявайте двигателя в хоризонтално положение (нормално работно положение). Напълнете резервоара за гориво (A, фигура 16) с гориво. За да се даде възможност за топлинно разширение на горивото, не пълнете над долната част на гърлото на резервоара (B).

Горивото може да се развали, когато се съхранява повече от 30 дни. Застоялото гориво предизвиква образуване на киселинни и смолисти отлагания в горивната система или в основни части на карбуратора. За да поддържате свежестта на горивото, използвайте **усъвършенстваната формула за обработване и стабилизиране на горивото на Briggs & Stratton**, която е налична навсякъде, където се продават оригинални части на Briggs & Stratton.

Ако стабилизаторът за гориво се добави съгласно инструкциите, не е необходимо да се източва бензина от двигателя. Оставете двигателя да работи две (2) минути, за да може да премине стабилизатора през горивната система преди съхранение.

Ако бензина в двигателя не е бил обработван със стабилизатор за гориво, той трябва да бъде източен в подходящ за целта съд. Оставете двигателя да работи, докато спре поради изчерпване на горивото. За да поддържате свежестта на горивото при складирането му, препоръчваме използването на стабилизатор.

Масло на двигателя

Докато двигателят е все още топъл, сменете маслото. Вижте раздела *Смяна на маслото на двигателя*.

Откриване и отстраняване на неизправности

Ако двигателят не стартира след няколкократни опити, посетете **BRIGGSandSTRATTON.com** или се обадете **1-800-233-3723** (в САЩ).

Технически данни

Модел: 210000	
Работен обем	21.01 ci (344 cc)
Вътрешен диаметър на цилиндъра	3.437 in (87,30 mm)
Работен ход на буталото	2.264 in (57,51 mm)
Вместимост за маслото - без филтър	42 - 44 oz (1,24 - 1,30 L)
Вместимост за маслото - с филтър	46 - 48 oz (1,36 - 1,40 L)
Искрова междина на запалителната свещ	0.030 in (0,76 mm)
Въртящ момент за затягане на запалителната свещ	180 lb-in (20 Nm)
Въздушна междина между ротора и статора	0.010 - 0.014 in (0,25 - 0,36 mm)
Междина на смукателния клапан	0.003 - 0.005 in (0,08 - 0,13 mm)
Междина на изпускателния клапан	0.005 - 0.007 in (0,13 - 0,18 mm)

Модел: 310000	
Работен обем	30.59 ci (501 cc)
Вътрешен диаметър на цилиндъра	3.563 in (90,49 mm)
Работен ход на буталото	3.062 in (77,77 mm)
Вместимост за маслото - без филтър	42 - 44 oz (1,24 - 1,30 L)
Вместимост за маслото - с филтър	46 - 48 oz (1,36 - 1,40 L)
Искрова междина на запалителната свещ	0.030 in (0,76 mm)
Въртящ момент за затягане на запалителната свещ	180 lb-in (20 Nm)
Въздушна междина между ротора и статора	0.010 - 0.014 in (0,25 - 0,36 mm)
Междина на смукателния клапан	0.003 - 0.005 in (0,08 - 0,13 mm)
Междина на изпускателния клапан	0.005 - 0.007 in (0,13 - 0,18 mm)

Мощността на двигателя намалява с 3,5% на всеки 1000 фута (300 метра) над морското ниво и с 1% за всеки 10°F (5,6°C) над 77°F (25°C). Двигателят ще работи задоволително при наклон до 15°. Направете справка в Ръководството за работа с оборудването за безопасните граници за работа на наклони.

Резервни части - Модел: 210000	
Резервна част	Номер на частта
Въздушен филтър, елемент от хартия (вижте Фигура 13)	796032
Предфилтър на въздушния филтър, елемент от пенопласт (вижте фигура 13)	798911
Въздушен филтър, елемент от хартия (вижте Фигура 12)	698413, 5079
Предфилтър на въздушния филтър, елемент от пенопласт (вижте фигура 12)	697292, 5079
Масло - SAE 30 (20 унции, 0,6 L)	100005
Масло - SAE 30 (48 унции, 1,4 L)	100028
Филтър за масло	492932
Усъвършенствана формула на стабилизатора за гориво Fuel Treatment & Stabilizer	100117, 100120
Филтър за гориво – двигател без помпа за гориво	394358, 5098
Филтър за гориво – двигател с помпа за гориво	691035, 5065
Резисторна запалителна свещ	491055
Дълготрайна платинена запалителна свещ	5066
Ключ за свещ	89838, 5023

Резервни части - Модел: 210000	
Искров тестер	19368

Резервни части - Модел: 310000	
Резервна част	Номер на частта
Въздушен филтър, елемент от хартия (вижте Фигура 13)	796031
Предфилтър на въздушния филтър, елемент от пенопласт (вижте фигура 13)	797704
Въздушен филтър, елемент от хартия (вижте Фигура 12)	698083, 5077
Предфилтър на въздушния филтър, елемент от пенопласт (вижте фигура 12)	697015, 5077
Въздушен филтър, плосък, с възможност за изпиране	697153, 5078
Масло - SAE 30 (20 унции, 0,6 L)	100005
Масло - SAE 30 (48 унции, 1,4 L)	100028
Маслен филтър, стандартен - черен	492932
Маслен филтър, високоефективен - жълт	795890
Маслен филтър, високоефективен - оранжев	798576
Усъвършенствана формула на стабилизатора за гориво Fuel Treatment & Stabilizer	100117, 100120
Филтър за гориво – двигател без помпа за гориво	394358, 5098
Филтър за гориво – двигател с помпа за гориво	691035, 6065
Резисторна запалителна свещ	491055
Дълготрайна платинена запалителна свещ	5066
Ключ за свещ	89838, 5023
Искров тестер	19368

Ние ви препоръчваме да посетите Оторизиран сервизен представител на Briggs & Stratton за всички операции по техническото и сервизното обслужване на двигателя и резервните части.

Скала на мощностите: Пълната мощност е отбелязана върху отделните модели бензинови двигатели в съответствие с Методиката за определяне на номиналната мощност и въртящия момент на малки двигатели в Правилника за техническа експлоатация J1940 и е оценена съгласно Правилника J1995 на SAE (Дружество на инженерите от автомобилната промишленост и транспорта). Стойностите на въртящия момент са изведени при 2600 об./мин. за тези двигатели, чиито „об./мин.“ са посочени на етикета, а при 3060 об./мин. - за всички останали; полезните мощности в конски сили са изведени при 3600 об./мин. Графиките на общата мощност може да се видят на www.BRIGGSandSTRATTON.COM. Стойностите на нетната мощност са отчетени при инсталирани системи за отделяне на изгорели газове и за почистване на въздуха, докато стойностите на общата мощност се отчитат без тези приспособления. Действителната обща мощност на двигателя е по-висока от нетната мощност и зависи, освен всичко друго, от условията на работната среда, както и от специфичните особености на всеки двигател. Имайки предвид голямото разнообразие от устройства, на които се монтират такива двигатели, бензиновият двигател може да не е в състояние да развие общата номинална мощност, когато се използва в даден вид оборудване. Тези разлики се дължат на различни фактори, включително, но без ограничение до разнообразните компоненти на двигателите (системи за почистване на въздуха, за отделяне на изгорели газове, за зареждане, за охлаждане, карбуратор, горивна помпа и др.), ограничения на приложението, условия на работната среда (температура, влажност, надморска височина), както и от специфичните особености на всеки двигател. Вследствие на ограниченията за производство и капацитет, Briggs & Stratton може да замени даден двигател с двигател с по-висока номинална мощност.

Гаранция

Гаранция за двигателите Briggs & Stratton

В сила от януари 2017 г.

Ограничена гаранция

Фирма Briggs&Stratton гарантира, че по време на указания по-долу гаранционен период ще поправи или замени безплатно всяка част, оказала се дефектна по отношение на материалите или изработката, или и двете. Транспортните разходи за изпратения за ремонт или за замяна продукт по тази гаранция трябва да бъдат поети от клиента. Тази гаранция е валидна за определен срок и се подчинява на изложените по-долу условия. За гаранционното обслужване намерете най-близкия упълномощен сервизен представител в нашата указателна карта на адрес

BRIGGSandSTRATTON.COM. Потребителят трябва да се свърже с упълномощен сервизен представител, на когото да предостави продукта за оглед и изпитване.

Няма друга изрична гаранция. Подразбиращите се гаранции, включително тези за годност за продажба и за определено предназначение, са ограничени до посочения по-долу гаранционен срок или до степента, разрешена от закона. Отговорността за непредвидени или закономерно настъпили повреди са изключени до степента на изключване, позволена от закона. Някои щати или държави не допускат ограничения за срока на валидност на подразбиращи се гаранции. Също така някои щати или държави не позволяват изключване или ограничаване на отговорността за случайни или закономерно настъпили повреди, така че горното ограничение и изключване може да не се отнася за Вас. Тази гаранция Ви дава определени законови права, а Вие можете да имате и други такива, които са различни в отделните щати и в отделните държави ⁴.

Стандартни гаранционни условия 1, 2, 3

Марка / Име на продукта	Потребителска употреба	Търговска употреба
Vanguard™; Търговска серия	36 месеца	36 месеца
Двигатели с чугунена риза Dura-Bore™	24 месеца	12 месеца
Всички други двигатели	24 месеца	3 месеца

¹ Това са нашите стандартни гаранционни условия, но е възможно понякога да има допълнително гаранционно покритие, което не е било определено към момента на публикуването на този документ. За списък на текущите гаранционни условия за Вашия двигател посетете BRIGGSandSTRATTON.com или се обърнете към Вашия оторизиран сервизен представител на Briggs & Stratton.

² Няма гаранция за двигатели, монтирани на оборудване, ползвано като източник на първично захранване вместо централното захранване или като резервни генератори, ползвани за търговски цели. Двигателите, използвани за състезания, за търговски цели или за отдаване под наем, не са обхванати в гаранционните условия.

³ Vanguard, монтиран на резервни генератори: 24 месеца при потребителска употреба, няма гаранция при търговска употреба. Vanguard, монтиран на сервизни автомобили: 24 месеца при потребителска употреба, 24 месеца за търговска употреба. Търговски серии с дата на производство преди м.юли 2017 г.: 24 месеца за потребителска употреба, 24 месеца за търговска употреба.

⁴ За Австралия - Нашите стоки се доставят с гаранции, които не могат да се изключват по силата на австралийското законодателство за потребителите. При сериозен дефект имате право на замяна или възстановяване на сумата, както и на компенсация за всяка друга нормално предвидима загуба или повреда. Също така имате право на ремонт или замяна на стоката, в случай че тя не е с приемливо качество и повредата не може да се квалифицира като сериозен дефект. За гаранционното обслужване намерете най-близкия упълномощен сервизен представител в нашата указателна карта на BRIGGSandSTRATTON.COM или се обадете на 1300 274 447, изпратете имейл или пишете на salesenquiries@briggsandstratton.com.au, Briggs & Stratton Australia Pty Ltd, 1 Moorebank Avenue, Moorebank, NSW, Australia, 2170.

Гаранционният срок започва да тече от първоначалната дата на закупуване от първия потребител на дребно или потребител за търговски цели. „Потребителска употреба“ означава употреба за лични и домашни цели от краен потребител. „Търговска употреба“ означава всеки друг вид употреба, включително за търговски цели, за генериране на доходи или за отдаване под наем. След като веднъж двигателят е бил ползван за търговска употреба, по-нататък той ще бъде считан като двигател за търговска употреба за целите на тази гаранция.

Запазете касовата бележка като доказателство за покупката. Ако при необходимост от гаранционно обслужване не осигурите доказателство за датата на първоначалната покупка, за определяне на гаранционния срок ще бъде използвана датата на производство на продукта. Не се изисква регистрация на продукта, за да получите гаранционно сервизно обслужване на продукти на Briggs&Stratton.

Относно Вашата гаранция

Тази ограничена гаранция покрива само употребен в двигателя дефектен материал и/или изработка, а не замяната или възстановяването на средствата за оборудването, към което двигателят може да е монтиран. Текущото техническо обслужване, регулировки, настройки или нормалното износване и изхабяване не са покрити от тази гаранция. Също така, гаранцията е невалидна, ако двигателят е видоизменен, преобразуван или серийният му номер е повреден или отстранен. Тази гаранция не покрива повреди или проблеми с работата на двигателите причинени от:

1. използването на части, които не са оригинални части на Briggs & Stratton;
2. експлоатиране на двигателя с недостатъчно, замърсено или неправилно избрано масло за смазване;
3. използването на замърсено или остаряло гориво, на бензин, смесван с повече от 10% етанол, или използването на алтернативни горива, например втечен нефтен газ или природен газ за двигатели, които по начало не са проектирани/произведени от Briggs&Stratton, за да работят с такива горива;

4. Замърсяване, което е проникнало в двигателя, поради неправилно техническо обслужване на въздушния филтър и неправилното му последващо монтиране;
5. удяране на предмет с режещия нож на ротационната полева косачка, разхлабени или неправилно поставени адаптери за ножовете, лопатките или други устройства, свързани към колянвия вал, или от прекомерно натягане на трапецовидния ремък;
6. Съответстващи части или сглобки като съединители, трансмисии, контроли на оборудването и други, които не са доставени от Briggs & Stratton;
7. прегряване, дължащо се на окосена трева, на замърсяване или отломки, или на гнезда на гризачи, които запушват или задръстват охлаждащите пластини или кожата на маховика, или работа на двигателя без достатъчно охлаждане;
8. прекомерна вибрация, причинена от превишени обороти, хлабав монтаж на двигателя, хлабави или небалансирани ножове или перки, или неправилно свързване на елементите на оборудването към колянвия вал;
9. неправилна употреба, липса на редовно техническо обслужване, неправилно транспортиране, маневриране или складиране на оборудването или неправилен монтаж на двигателя.

Гаранционното обслужване се осъществява само посредством упълномощените сервизни представители на Briggs&Stratton. Намерете най-близкия Оторизиран сервизен представител в нашата указателна карта за представителите на BRIGGSandSTRATTON.COM или се обадете на 1-800-233-3723 (за САЩ).

80004537 (Ред. С)

Tato příručka obsahuje bezpečnostní informace o nebezpečích a rizicích, která se týkají motorů, a o způsobech, jak se jim vyhnout. Obsahuje i pokyny, jak řádně motor používat a jak se o něj starat. Vzhledem k tomu, že společnost Briggs & Stratton nemusí nutně vědět, jaké zařízení bude tento motor pohánět, je důležité, abyste si přečetli a pochopili tyto pokyny a pokyny pro zařízení, které tento motor pohání. **Tyto původní pokyny si uložte pro pozdější použití.**

Poznámka: Obrázky, ilustrace a diagramy v tomto návodu slouží pouze pro referenční účely a mohou se lišit od vašeho specifického modelu. Máte-li jakékoli otázky, kontaktujte prodejce.

Potřebujete-li náhradní díly nebo technickou pomoc, запиšte níže model motoru, typové a kódové číslo a datum nákupu. Tyto údaje naleznete na svém motoru (viz kapitolu **Funkce a ovládací prvky**).

Datum zakoupení:	
Model motoru – Typ – Výbava	
Sériové číslo motoru	

Najděte si 2D čárový kód, který je na některých motorech umístěn. Při zobrazení pomocí čtečky 2D kódu se zobrazí naše webová stránka, kde můžete najít další informace pro tento produkt. Mohou být účtovány poplatky za přenos dat. Online informace o podpoře nemusí být pro některé země k dispozici.



Informace o recyklaci

		Veškeré obaly, použitý olej a baterie recyklujte v souladu s příslušnými předpisy.
--	--	--

Bezpečnost obsluhy

Bezpečnostní varovné značky a signální slova

Bezpečnostní varovné značky se používají k označení bezpečnostních informací o rizicích, která mohou vést ke zranění osob. Signální slova (NEBEZPEČÍ, VAROVÁNÍ nebo UPOZORNĚNÍ) jsou používána spolu s varovnou značkou a označují pravděpodobnost a vážnost potenciálního zranění. Navíc může být použit symbol rizika vyjadřující typ rizika.

NEBEZPEČÍ označuje riziko, které, jestliže se mu nevyhnete, **vede ke smrti nebo vážnému poranění.**

VAROVÁNÍ označuje riziko, které, jestliže se mu nevyhnete, **může vést ke smrti nebo vážnému poranění.**

UPOZORNĚNÍ označuje riziko, které, jestliže se mu nevyhnete, **může vést k malému či střednímu poranění.**

OZNÁMENÍ označuje situaci, která **by mohla vést k poškození výrobku.**

Symbyoly rizika a jejich význam

Symbol	Význam	Symbol	Význam
	Bezpečnostní informace o rizicích, která mohou vést k poranění.		Před provozem či prováděním servisu si přečtěte návod k obsluze.

Symbol	Význam	Symbol	Význam
	Riziko požáru		Riziko výbuchu
	Riziko úrazu elektrickým proudem		Riziko toxických plynů
	Riziko horkého povrchu.		Riziko hluku – při dlouhodobém používání se doporučuje nosit ochranu sluchu.
	Riziko odletujících předmětů – noste ochranu očí.		Riziko výbuchu
	Riziko omrzlin		Riziko zpětného rázu
	Riziko amputace – pohyblivé součásti		Chemické riziko
	Riziko vysokých teplot		Způsobuje korozi

Bezpečnostní upozornění

VAROVÁNÍ

Určité součástky tohoto výrobku a příslušné doplňky obsahují chemické látky, o kterých je ve státu Kalifornie známo, že způsobují rakovinu, vrozené vady a jiné rozmnožovací problémy. Po zacházení si umyjte ruce.

VAROVÁNÍ

Výfukové plyny z frézy obsahují chemické látky, o kterých je ve státu Kalifornie známo, že způsobují rakovinu, vrozené vady nebo jiné reprodukční problémy.

VAROVÁNÍ

Motory značky Briggs & Stratton nejsou konstruovány pro pohánění následujících zařízení a nesmějí být tedy takto používány: vozítka, motokáry, dětská, rekreační nebo sportovní terénní vozidla (ATV), motocykly, vznášedla, letecké výrobky nebo vozidla používaná v soutěžích, které společnost Briggs & Stratton neschválila. Informace o soutěžních a závodních výrobcích naleznete na adrese www.briggsracing.com. Informace o používání ve čtyřkolkách a ATV vozidlech side-by-side získáte v Engine Application Center, středisku pro aplikaci motorů společnosti Briggs & Stratton, tel. 1-866-927-3349. Nesprávné použití motoru může vést k vážnému zranění nebo i smrti.

VAROVÁNÍ

Palivo a jeho výpary jsou extrémně hořlavé a výbušné.

Oheň či exploze mohou způsobit vážné popáleniny nebo smrt.

Při tankování

- Vypněte motor a před odstraněním uzávěru ho nechte vychladit alespoň po dobu 2 minut.
- Tankujte venku nebo v dobře ventilovaném prostoru.
- Nádrž nepřepĺňujte. Aby se umožnila expanze paliva, netankujte nad spodní část hrdla nádrže (B).
- Palivo udržujte mimo otevřený oheň, jiskry, pilotní světla, teplo nebo jiné zdroje vzplanutí.

- Palivové trubičky, nádrží a uzávěr často kontrolujte pro známky poškození. Jestliže je to nutné, nahradte je novými.
- Jestliže dojde k rozliti paliva, před dalším startováním vyčkejte, než znovu vyschne.

Při startování motoru

- Zkontrolujte, zda jsou na svém místě svíčky, tlumič výfuku, víčko palivové nádrže a vzduchový filtr (je-li jím motor vybaven), a zda jsou dobře zajištěny.
- Nestartujte motor, je-li zapalovací svíčka vyšroubována.
- Při přeplavení motoru nastavte sytič (je-li k dispozici) do polohy OTEVŘÍT/JET a ovladač akceleračního (je-li jím motor vybaven) do polohy RYCHLE a protáchejte motor, dokud nenaskočí.

Při obsluze zařízení

- Motor ani zařízení nenaklánějte do polohy, která by způsobila únik paliva.
- Motor se nesmí zastavovat zahlcením karburátoru.
- Motor nespouštějte ani neprovozujte s odmontovanou sestavou vzduchového filtru (je-li jím motor vybaven) nebo s vyjmutým vzduchovým filtrem (je-li jím motor vybaven).

Při výměně oleje

- Jestliže vypouštíte olej z horní plnicí trubice, musí být prázdná nádrž, protože jinak může dojít k úniku paliva, což může vést k požáru nebo výbuchu.

Překlopení zařízení za účelem údržby

- Když provádíte údržbu, která vyžaduje naklonění zařízení, palivová nádrž (pokud je na motoru osazena) musí být prázdná, jinak může palivo uniknout a způsobit požár nebo explozi.

Při přepravě zařízení

- Zařízení přepravujte s PRÁZDNOU palivovou nádrží nebo ZAVŘENÝM palivovým kohoutem.

Při skladování paliva nebo zařízení s palivem v nádrži

- Uchovávejte odděleně od pecí, kamen, ohřivačů vody či jiných zařízení, která mají věčný plamínek nebo jiných zdrojů zážehnutí. Mohlo by dojít ke vznícení výparů z paliva.



VAROVÁNÍ

Startování motoru je doprovázené jiskřením.

Jiskření může zažehnout přítomné hořlavé plyny.

Může dojít k požáru nebo explozi.

- Nespouštějte motor, uniká-li v prostoru zemní plyn nebo propan-butan (LPG).
- Nepoužívejte stlačené startovací kapaliny, jejich páry jsou hořlavé.



VAROVÁNÍ

RIZIKO VZNIKU JEDOVATÝCH PLYNŮ. Výfukové plyny z motoru obsahují oxid uhelnatý, jedovatý plyn, který může zabít během minut. **NEMŮŽETE** ho vidět, cítit či chutnat. I když výfukové plyny necítíte, přesto můžete být vystaveni oxidu uhelnatému. Jestliže při používání tohoto zařízení začnete cítit nevolnost, závratě či slabost, **OKAMŽITĚ** ho vypněte a jděte na čerstvý vzduch. Vyhledejte lékaře. Mohlo u vás dojít k otravě oxidem uhelnatým.

- Tento výrobek používejte POUZE venku a mimo dosah oken, dveří a větracích otvorů, aby se předešlo riziku otravy oxidem uhelnatým hromadícím se a pohybujičím směrem k obytným prostorům.
- Nainstalujte alarmany na oxid uhelnatý (na baterie či síťové se záložním napájením z baterie) v souladu s pokyny výrobce. Detektory kouře nedokáží oxid uhelnatý odhalit.
- Tento produkt **NEPOUŽÍVEJTE** uvnitř domů, garáží, sklepů, stodol či jiných částečně uzavřených prostor, i když používáte větrák či máte otevřené dveře a okna pro větrání. V těchto místech se může rychle nahromadit a dlouho udržovat oxid uhelnatý, a to i po vypnutí výrobku.
- Tento produkt **VŽDY** umístěte po větru a výfuk namiřte směrem mimo obydlené prostory.



VAROVÁNÍ

Rychlé zatažení startovacího lanka (zpětné „kopnutí“) přitáhne ruku a paži k motoru rychleji, než ho stačíte pustit.

To může způsobit zlomeniny, pohmožděny nebo odřeny.

- Při startování motoru pomalu zatáhněte za startovací kabel, až ucítíte odpor a pak rychle zatáhněte, aby se předešlo zpětnému tlaku.
- Před nastartováním motoru zbavte motor veškeré vnější zátěže/zařízení.
- Přímou spřažené součásti zařízení, např. nože, oběžná kola, řemenice, ozubená kola atd., musí být bezpečně upevněny.



VAROVÁNÍ

Rotující části mohou přijít do kontaktu s rukama, nohama, vlasy, oděvy či doplňky.

Může dojít k těžkým tržným ranám až amputacím končetin.

- Provozujte zařízení pouze s upevněnými ochrannými kryty.
- Udržujte ruce a nohy v dostatečné vzdálenosti od rotujících součástí.
- Svažte si dlouhé vlasy a sundejte šperky.
- Nenoste volně vlající oděv, volně visící stahovací tkalouny a šňůry, jež mohou být zachyceny.



VAROVÁNÍ

Provoz motoru vede ke vzniku tepla. Díly motoru, zejména tlumič výfuku, jsou za provozu extrémně horké.

Při dotyku může dojít k vážným popáleninám.

Hořlavý odpad, jako například listí, tráva, křoví atd. mohou chytit.

- Před dotykem vyčkejte, až tlumič, válec motoru a žebra motoru vychladnou.
- Odstraňte nahromaděný materiál z tlumiče a oblasti válce.
- Použití zařízení na jakékoli zalesněné či zatravněné ploše bez řádně udržovaného lapače jisker v souladu s definicí v části 4442 je porušením předpisů Veřejných pravidel pro Kalifornii, část 4442. Jiné státy nebo federální jurisdikce mohou mít podobné zákony. Chcete-li zakoupit lapač jisker vhodný pro výfukový systém nainstalovaný na tomto motoru, kontaktujte výrobce původního zařízení, prodejce nebo dodavatele.



VAROVÁNÍ

Neplánované jiskření může vést k požáru nebo k elektrickému šoku.

Neplánované spuštění může vést k zamotání, amputacím či poraněním.

Riziko požáru

Před prováděním úprav či oprav:

- Odpojte drát svíček a uložte ho odděleně od svíček.
- Odpojte baterii z negativního pólu (pouze motory s elektrickým startérem).
- Vždy používejte správné nástroje.
- Pro účely zvýšení rychlosti neměňte pružiny, spojení či jiné části.
- Náhradní díly musí být stejné a namontované do stejné polohy jako původní část. Jiné součástky nemusí stejně dobře fungovat, mohou poškodit jednotku či vést k poranění.
- Na setrvačnick netlučte klavírem nebo tvrdým předmětem, protože hrozí rozpad setrvačnicku při dalším provozu.

Při testování svíček:

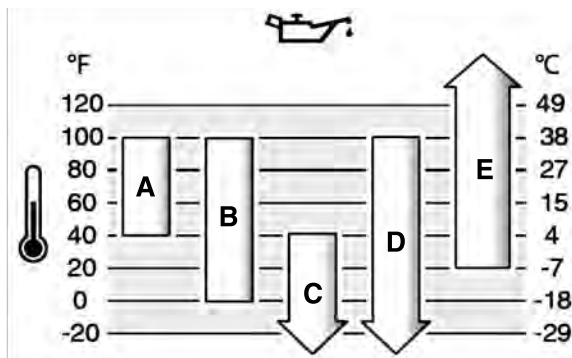
- Používejte schválenou zkoušečku svíček.
- Svíčky nekontrolujte, když jsou vyndané.

Funkce a ovládací prvky

Ovládací prvky motoru

Srovnajte svůj motor s ilustrací (obrázek: 1, 2, 3), abyste se seznámili s umístěním různých funkcí a ovládacích prvků.

- A. Identifikační čísla motoru **Model – Typ – Kód**
- B. Zapalovací svíčka
- C. Vzduchový filtr
- D. Držadlo lanka startéru (je-li jím motor vybaven)
- E. Měrka oleje
- F. Vypouštěcí zátka oleje
- G. Tlumič výfuku, kryt tlumiče výfuku (je-li jím motor vybaven), lapač jisker (je-li jím motor vybaven)
- H. Mřížka přívodu vzduchu
- I. Mřížka přívodu vzduchu
- J. Olejový filtr (je-li jím motor vybaven)
- K. Elektrický startér (je-li jím motor vybaven)
- L. Karburátor
- M. Palivový filtr (je-li jím motor vybaven)
- N. Palivové čerpadlo (je-li jím motor vybaven)
- O. Rychlé vypouštění oleje (je-li jím motor vybaven)
- P. Elektronická ovládací jednotka (je-li jí motor vybaven)



A	SAE 30 - Při teplotách pod 4°C povede použití SAE 30 k obtížnému startování.
B	10W-30 - Při teplotách nad 27 °C povede použití 10W-30 ke zvýšené spotřebě oleje . Pravidelně kontrolujte množství oleje.
C	5W-30
D	Syntetický 5W-30
E	Syntetický Vanguard™ 15W-50

Symbole ovládání motoru a jejich význam

Značka	Význam	Značka	Význam
	Rychlost motoru – RYCHLE		Rychlost motoru – POMALU
	Rychlost motoru – STOP		ZAPNUTO – VYPNUTO
	Spuštění motoru – sytič ZAVŘEN		Spuštění motoru – sytič OTEVŘEN
	Zátka nádrže Palivový uzavírací ventil – OTEVŘEN		Palivový uzavírací ventil – ZAVŘEN
	Hladina paliva – maximum Nepřeplňujte.		

Provoz

Doporučení oleje

Kapacita oleje: Viz část **Technické údaje** .

UPOZORNĚNÍ

Tento motor byl z továrny Briggs & Stratton vyexpedován bez oleje. Je možné, že olej do motoru přidali výrobci zařízení nebo prodejci. Než motor poprvé nastartujete, zkontrolujte hladinu oleje a doplňte olej podle pokynů v této příručce. Jestliže motor nastartujete bez oleje, dojde k jeho nenapravitelnému poškození, na které se nebude vztahovat záruka.

Pro nejlepší výkon doporučujeme použití olejů schválených pro použití s výrobky Briggs & Stratton. Přijatelné jsou i jiné kvalitní čisticí oleje za předpokladu, že jsou označené pro servis SF, SG, SH, SJ či vyšší. Nepoužívejte speciální přídavky.

Venkovní teploty určují správnou viskozitu oleje pro motor . K výběru nejlepší viskozity pro očekávanou venkovní teplotu použijte tabulku. Motory ve většině venkovních motorových strojů správně fungují se syntetickým olejem 5W-30. Pro vybavení provozovaná při vysokých teplotách poskytuje nejlepší ochranu syntetický olej Vanguard™ 15W-50 Synthetic.

Kontrola množství oleje

Viz obrázek: 4

Před doplněním nebo kontrolou oleje

- Zkontrolujte, zda je motor vyvážen a zda stojí rovně.
- Plochu pro plnění oleje vyčistěte.

1. Vyjměte měrku (A, obrázek 4) a oťete ji čistým hadříkem.
2. Vraťte měrku zpět a dotáhněte ji (A, obrázek 4).
3. Měrku vyndejte a přezkontrolujte množství oleje. Správná hladina oleje má dosahovat k horní rýsce hladiny (B, obrázek 4) na měrce.
4. Pokud je hladina oleje nízká, nalévejte olej pomalu do plnicího otvoru (C, obrázek 4). **Nepřeplňujte.** Po doplnění oleje počkejte jednu minutu a pak stav oleje znovu zkontrolujte.

Poznámka: Nepřidávejte olej přes rychlé vypouštění oleje, je-li jím motor vybaven. Umístění naleznete v kapitole **Funkce a ovládací prvky**.

5. Vraťte měrku zpět a dotáhněte ji (A, obrázek 4).

Systém ochrany před nízkou hladinou oleje (je-li jím zařízení vybaveno)

Některé motory jsou vybaveny senzorem nízké hladiny oleje. Pokud je hladina oleje nízká, senzor buď aktivuje výstražné světlo nebo zastaví motor. Zastavte motor a před jeho opětovným spuštěním postupujte podle těchto kroků.

- Zkontrolujte, zda je motor vyvážen a zda stojí rovně.
- Zkontrolujte množství oleje. Viz část **Kontrola množství oleje**.
- Pokud je hladina oleje nízká, dolijte potřebné množství oleje. Spusťte motor a zkontrolujte, zda není aktivní výstražné světlo (pokud je jím motor vybaven).
- Pokud hladina oleje není nízká, nespouštějte motor. Kontaktujte autorizovaný servis Briggs & Stratton a požádejte je o pomoc s problémem týkajícím se hladiny oleje.

Doporučení týkající se paliva

Palivo musí splňovat následující požadavky:

- Čistý, čerstvý, bezolovnatý benzin.
- Minimálně 87 oktanů/87 AKI (91 RON). Informace o použití ve vysokých nadmořských výškách naleznete níže.
- Benzin s obsahem až 10 % etanolu je přijatelný.

UPOZORNĚNÍ Nepoužívejte neschválené benziny, jako je například E15 nebo E85. Do benzínu nepřidávejte olej a motor nemodifikujte tak, aby fungoval s jinými palivy. Použití neschváleného paliva způsobí poškození součástí motoru, na které se nevztahuje záruka.

K ochraně palivového systému před tvorbou pryskyřičných usazenin přidejte do paliva stabilizátor paliva. Viz **Skladování**. Různá paliva se liší. Jestliže dojde k problémům se startováním či výkonem, změňte dodavatele či značku paliva. Tento motor je úředně

schválen jako benzinový motor. Systém řízení emisí tohoto motoru je EM (Engine Modifications).

Vysoké nadmořské výšky

Při nadmořských výškách nad 1 524 metrů (5 000 stop) se vyžaduje benzín s minimem 85 oktanů/85 AKI (89 RON).

U motorů vybavených karburátorem je nastavení pro vysoké nadmořské výšky nezbytné, aby se zachoval výkon motoru. Provoz bez této úpravy může snížit výkonnost, zvýšit spotřebu paliva a zvýšit vylučování emisí. Informace o seřízení pro vyšší nadmořské výšky získáte u autorizovaného prodejce značky Briggs & Stratton. Motor se seřízením pro vysoké nadmořské výšky se nedoporučuje používat při nadmořské výšce pod 762 metrů (2 500 stop).

U motorů s elektronickým vstřikováním paliva (EFI) není nastavení pro vysoké nadmořské výšky zapotřebí.

Přidávání paliva

Viz obrázek: 5



Palivo a jeho páry jsou velice hořlavé a výbušné.

Požár nebo výbuch může způsobit vážné popáleniny nebo i smrt.

Při přidávání paliva

- Vypněte motor a před odstraněním víčka ho nechte vychladnout alespoň po dobu 2 minut.
 - Tankujte venku nebo v dobře ventilovaném prostoru.
 - Nádrž nepřepĺňujte. Aby se umožnila expanze paliva, netankujte nad spodní část hrdla nádrže.
 - Palivo udržujte mimo otevřený oheň, jiskry, věčný plamínek, tepelné nebo jiné zápalné zdroje.
 - Palivové trubičky, nádrž a víčko často kontrolujte, zda nevykazují známky poškození. Jestliže je to nutné, nahraďte je novými.
 - Jestliže dojde k rozliti paliva, před dalším startováním vyčkejte, než znovu vyschne.
1. Plochu kolem palivového víčka očistěte od nečistot. Odstraňte víčko palivové nádrže.
 2. Naplňte palivovou nádrž (A, obrázek 5) palivem. Aby se umožnila expanze paliva, netankujte nad spodní část hrdla nádrže (B).
 3. Nasaďte víčko palivové nádrže.

Spuštění a zastavení motoru

Viz obrázek: 6

Spuštění motoru



Rychlé zatažení (zpětné „kopnutí“) startovacího lanka přitáhne ruku a paži k motoru rychleji, než ho stačíte pustit.

To může vést k zlomeninám, pohmožděninám či odřeninám.

- Při startování motoru táhněte za startovací lanko nejprve pomalu, dokud neucítíte odpor, a pak zatahněte rychle, abyste zabránili zpětnému kopnutí.



Palivo a jeho páry jsou velice hořlavé a výbušné.

Požár nebo výbuch mohou způsobit vážné popáleniny nebo i smrt.

Při startování motoru

- Zkontrolujte, zda jsou na svém místě zapalovací svíčky, tlumič výfuku, víčko palivové nádrže a vzduchový filtr (je-li jím motor vybaven), a zda jsou dobře zajištěny.
- Nestartujte motor, je-li zapalovací svíčka vyšroubována.
- Při přeplavení motoru nastavte sytič (je-li jím motor vybaven) do polohy OTEVŘENO / CHOD a ovladač akcelerátoru (je-li jím motor vybaven) do polohy RYCHLE a protáchejte motor, dokud nenaskočí.



RIZIKO VZNIKU JEDOVATÉHO PLYNU. Výfukové plyny obsahují oxid uhelnatý, jedovatý plyn, který vás může během několika minut zabít. **NEMŮŽETE jej vidět ani cítit, je bez chuti.** I když výfukové plyny necítíte, můžete být vystaveni působení oxidu uhelnatého. Pokud vám začne být během používání tohoto výrobku špatně, začne se vám točit hlava nebo pocítíte slabost, vypněte jej a **OKAMŽITĚ jděte na čerstvý vzduch. Vyhledejte lékaře. Může se jednat o otravu oxidem uhelnatým.**

- Tento výrobek používejte VÝHRADNĚ venku a v dostatečné vzdálenosti od oken, dveří a větracích otvorů, aby se snížilo riziko hromadění oxidu uhelnatého a jeho potenciálního pronikání do obytných prostor.
- Nainstalujte hlásiče oxidu uhelnatého (na baterie či síťové se záložním napájením z akumulátoru) v souladu s pokyny výrobce. Detektory kouře nedokáží oxid uhelnatý odhalit.
- Tento výrobek **NEPOUŽÍVEJTE** uvnitř domů, garáží, sklepů, průlezných prostor, stodol či jiných částečně uzavřených prostor, i když používáte větráky či větráte otevřenými dveřmi a okny. V těchto místech se může oxid uhelnatý rychle nahromadit a dlouho udržovat, a to i po vypnutí výrobku.
- **VŽDY** umístěte tento výrobek po větru a natočte jej tak, aby jeho výfuk směřoval mimo obytné prostory.

UPOZORNĚNÍ Tento motor byl z továrny Briggs & Stratton vyexpedován bez oleje. Než motor nastartujete, ujistěte se, že jste doplnili olej podle pokynů v tomto návodu. Jestliže motor nastartujete bez oleje, dojde k jeho nenapravitelnému poškození, na které se nebude vztahovat záruka.

Určete typ spouštěcího systému

Před spuštěním motoru musíte zjistit, jaký typ spouštěcího systému motor používá. Váš motor může mít jeden z následujících typů spouštěcích systémů.

- **Systém ReadyStart®:** Vyznačuje se automatickým sytičem, který je regulován teplotou. Tento typ nemá nastřikovač.
- **Elektronicky řízený palivový systém:** Tento systém se vyznačuje elektronickou ovládací jednotkou, která monitoruje stav motoru a teplotu. Tento typ nemá sytič ani nastřikovač.
- **Systém se sytičem:** Tento systém má sytič, který se používá k nastartování motoru v chladném období. Některé modely mají samostatné ovládní sytiče a jiné mají kombinaci ovládní sytiče / akcelerátoru. Tento typ nemá nastřikovač.

Chcete-li spustit motor, postupujte podle pokynů pro váš typ spouštěcího systému.

Poznámka: Některá zařízení jsou vybavena dálkovým ovládním. Popis umístění a fungování tohoto dálkového ovládní najdete v příručce k zařízení.

Systém ReadyStart®

1. Zkontrolujte motorový olej. Viz část **Kontrola množství oleje**.
2. Zkontrolujte, zda jsou ovládací prvky zařízení (je-li jimi zařízení vybaveno) deaktivovány.
3. Přepněte palivový uzavírací ventil (A, obrázek 6), je-li jím zařízení vybaveno, do polohy OTEVŘENO.
4. Posuňte ovladač akcelerátoru (B, obrázek 6), je-li jím motor vybaven, do polohy RYCHLE. Motor používejte v poloze RYCHLE.

Poznámka: Chcete-li nastartovat za nízkých teplot (pod 0 °C) přesuňte páčku sytiče / akcelerátoru (B C, obrázek 6) do polohy SYTIČ.

5. **Klíčový spínač, je-li jím motor vybaven:** Přepněte klíčový spínač (D, obrázek 6) do polohy ZAPNUTO / SPUŠTĚNÍ.

Tlačítko pro spuštění / zastavení motoru, je-li jím motor vybaven: Stiskněte tlačítko pro spuštění / zastavení motoru (F, obrázek 6).

UPOZORNĚNÍ K prodloužení životnosti startéru používejte krátké startovací cykly (maximálně pět sekund). Mezi startovacími cykly počkejte jednu minutu.

Poznámka: Pokud motor ani po opakovaných pokusech nenastartuje, kontaktujte svého místního prodejce, navštivte stránku **BRIGGSandSTRATTON.com** nebo zavolejte na telefonní číslo **1-800-233-3723** (v USA).

Elektronicky řízený palivový systém

1. Zkontrolujte motorový olej. Viz část **Kontrola množství oleje**.
2. Zkontrolujte, zda jsou ovládací prvky zařízení (je-li jimi zařízení vybaveno) deaktivovány.
3. Přepněte palivový uzavírací ventil (A, obrázek 6), je-li jím zařízení vybaveno, do polohy OTEVŘENO.

4. Posuňte ovladač akceleratoru (B, obrázek 6), je-li jím motor vybaven, do polohy RYCHLE. Motor používejte v poloze RYCHLE.
5. **Je-li motor vybaven navijecím startérem:** Přepněte klíčový spínač (D, obrázek 6) do polohy ZAPNUTO / SPUŠTĚNÍ.
6. **Je-li motor vybaven navijecím startérem:** Pevně uchopte držadlo startovacího lanka (E, obrázek 6). Pomalu zatáhněte za startovací lanko, dokud nepocítíte odpor, pak zatáhněte rychle.



VAROVÁNÍ

Rychlé zatažení startovacího lanka (zpětné „kopnutí“) přitáhne vaši ruku a paži směrem k motoru rychleji, než ho stačíte pustit. To může vést k zlomeninám, pohmožděninám či odřeninám. Při startování motoru táhněte za startovací lanko nejprve pomalu, dokud neucítíte odpor, a pak zatáhněte rychle, abyste zabránili zpětnému kopnutí.

7. **Elektrické spouštění, je-li jím motor vybaven:** Přepněte klíčový spínač (D, obrázek 6) do polohy ZAPNUTO / SPUŠTĚNÍ.

UPOZORNĚNÍ K prodloužení životnosti startéru používejte krátké startovací cykly (maximálně pět sekund). Mezi startovacími cykly počkejte jednu minutu.

Poznámka: Pokud motor ani po opakovaných pokusech nenastartuje, kontaktujte svého místního prodejce, navštivte stránku **BRIGGSandSTRATTON.com** nebo zavolejte na telefonní číslo **1-800-233-3723** (v USA).

Systém se sytičem

1. Zkontrolujte motorový olej. Viz část **Kontrola množství oleje**.
2. Zkontrolujte, zda jsou ovládací prvky zařízení (je-li jimi zařízení vybaveno) deaktivovány.
3. Přepněte palivový uzavírací ventil (A, obrázek 6), je-li jím zařízení vybaveno, do polohy OTEVŘENO.
4. Posuňte ovladač akceleratoru (B, obrázek 6), je-li jím motor vybaven, do polohy RYCHLE. Motor používejte v poloze RYCHLE.
5. Přesuňte ovladač sytiče (C, obrázek 6) do polohy ZAVŘENO. U modelů s kombinací ovládání sytiče / akceleratoru (B C) posuňte ovladač do polohy SYTIČ.

Poznámka: Při startování teplého motoru není obvykle sytič potřeba.

6. **Je-li motor vybaven navijecím startérem:** Přepněte klíčový spínač (D, obrázek 6) do polohy ZAPNUTO / SPUŠTĚNÍ.
7. **Je-li motor vybaven navijecím startérem:** Pevně uchopte držadlo startovacího lanka (E, obrázek 6). Pomalu zatáhněte za startovací lanko, dokud nepocítíte odpor, pak zatáhněte rychle.



VAROVÁNÍ

Rychlé zatažení startovacího lanka (zpětné „kopnutí“) přitáhne vaši ruku a paži směrem k motoru rychleji, než ho stačíte pustit. To může vést k zlomeninám, pohmožděninám či odřeninám. Při startování motoru táhněte za startovací lanko nejprve pomalu, dokud neucítíte odpor, a pak zatáhněte rychle, abyste zabránili zpětnému kopnutí.

8. **Elektrické spouštění, je-li jím motor vybaven:** Přepněte klíčový spínač (D, obrázek 6) do polohy ZAPNUTO / SPUŠTĚNÍ.

UPOZORNĚNÍ K prodloužení životnosti startéru používejte krátké startovací cykly (maximálně pět sekund). Mezi startovacími cykly počkejte jednu minutu.

9. Když se motor zahřeje, přesuňte ovladač sytiče (C, obrázek 6) do polohy OTEVŘENO. U modelů s kombinací ovládání sytiče / akceleratoru (B C) posuňte ovladač do polohy RYCHLE.

Poznámka: Pokud motor ani po opakovaných pokusech nenastartuje, kontaktujte svého místního prodejce, navštivte stránku **BRIGGSandSTRATTON.com** nebo zavolejte na telefonní číslo **1-800-233-3723** (v USA).

Zastavení motoru



VAROVÁNÍ



Palivo a jeho páry jsou velice hořlavé a výbušné.

Požár nebo výbuch mohou způsobit vážné popáleniny nebo i smrt.

- Motor se nesmí zastavovat zahlcením karburátoru.

1. **Klíčový spínač, je-li jím motor vybaven:** S pákou akceleratoru v poloze RYCHLE otočte klíčovým spínačem (D, obrázek 6) do polohy VYPNUTO. Vyjmete klíček a uložte ho na bezpečném místě mimo dosah dětí.
Tlačítko pro spuštění / zastavení motoru, je-li jím motor vybaven: S pákou akceleratoru v poloze RYCHLE stiskněte tlačítko pro SPUŠTĚNÍ / ZASTAVENÍ motoru (F, obrázek 6).
2. Po zastavení motoru přepněte uzavírací palivový ventil (A, obrázek 6), je-li jím motor vybaven, do polohy ZAVŘENO.

Údržba

UPOZORNĚNÍ Jestliže při údržbě dojde k naklonění motoru, nádrž (pokud je na motoru) musí být prázdná a svíčka musí být směřem nahoru. Není-li palivová nádrž prázdná nebo je-li motor obrácen jiným směrem, může dojít v důsledku znečištění vzduchového filtru a/nebo zapalovací svíčky olejem nebo benzinem k problémům při startování.



VAROVÁNÍ

Když provádíte údržbu, která vyžaduje překlopení zařízení, musí být palivová nádrž (pokud je na motoru) prázdná, jinak může palivo uniknout a způsobit požár nebo explozi.

Doporučujeme svěřit veškerý servis a údržbu motorů a jejich dílů některému z autorizovaných prodejců značky Briggs & Stratton.

UPOZORNĚNÍ Aby motor správně fungoval, musí všechny jeho součásti zůstat na svém místě.



VAROVÁNÍ



Neúmyslné jiskření může způsobit požár nebo úraz elektrickým proudem.

Neplánované spuštění může vést k zamotání, amputacím či poraněním.

Riziko požáru

Před prováděním seřizování nebo oprav:

- Odpojte drát svíček a uložte ho pryč od svíček.
- Odpojte kabel od záporné svorky akumulátoru (jen pokud je motor vybaven elektrickým spouštěčem).
- Vždy používejte správné nástroje.
- Otáčky motoru se nesmí zvyšovat úpravami pružin regulátoru, táhel a ostatních dílů.
- Náhradní díly musí být stejné a namontované do stejné polohy, jako původní část. Jiné součástky nemusí stejně dobře fungovat, mohou poškodit jednotku či vést k poranění.
- Na setrvačnick netlučte kladivem nebo tvrdým předmětem, protože hrozí rozpad setrvačnicku při dalším provozu.

Při zkoušení svíčky:

- Použijte schválenou zkoušečku svíček.
- Svíčky nekontrolujte, když jsou vyndané.

Servis řízení emisí

Údržbu, výměnu nebo opravu zařízení a systémů řízení emisí může provádět jakákoliv organizace nebo osoba zabývající se opravami nesilničních motorů. Chcete-li však mít servis řízení emisí „zdarma“, musí práci provádět prodejce autorizovaný továrnou. Viz záruka dodržování emisních limitů.

Plán údržby

Prvních 5 hodin
<ul style="list-style-type: none"> • Vyměňte olej ³
Každých 8 hodin či denně
<ul style="list-style-type: none"> • Zkontrolujte množství oleje • Vyčistěte oblast kolem tlumiče výfuku a ovládacích prvků • Vyčistěte mřížku přívodu vzduchu
Každých 25 hodin nebo jednou za rok
<ul style="list-style-type: none"> • Vyčistěte vzduchový filtr ¹ • Vyčistěte předfiltr (je-li jím motor vybaven) ¹
Každých 50 hodin nebo jednou za rok

<ul style="list-style-type: none"> • Vyměňte motorový olej ⁴ • Vyměňte olejový filtr (pokud je jím zařízení vybaveno) ⁴ • Proveďte servis výfukové soustavy
Každých 100 hodin nebo jednou za rok
<ul style="list-style-type: none"> • Vyměňte motorový olej ⁵ • Vyměňte olejový filtr (pokud je jím zařízení vybaveno) ⁵
Jednou ročně
<ul style="list-style-type: none"> • Vyměňte svíčku • Vyměňte vzduchový filtr • Vyměňte předfiltr (je-li jím motor vybaven) • Vyměňte palivový filtr (je-li jím motor vybaven) • Proveďte servis palivové soustavy • Proveďte servis chladicího systému ¹ • Zkontrolujte vůli ventilů ²

¹ V prašném prostředí nebo v prostředí, kde se nečistoty roznášejí vzduchem, čistěte častěji.

² Není nutné, pokud se nevyskytnou problémy s výkonem motoru.

³ Pouze motory bez olejového filtru.

⁴ Motory bez olejového filtru nebo se standardním černým olejovým filtrem (viz

Specifikace, kde na stránce naleznete číslo dílu).

⁵ Motory s vysoce účinným žlutým nebo oranžovým olejovým filtrem (viz **Specifikace, kde na stránce** naleznete číslo dílu).

Systém elektronicky řízeného palivového systému

Systém elektronicky řízeného palivového systému monitoruje teplotu motoru, otáčky motoru a napětí akumulátoru, aby správně nastavoval sytí během startování a zahřívání motoru. Systém se neseřizuje. Pokud se objeví problémy se startováním nebo chodem motoru spojte se s autorizovaným prodejcem společnosti Briggs & Stratton.

UPOZORNĚNÍ Vždy dodržujte níže uvedený postup, jinak by mohlo dojít k poškození systému elektronicky řízeného palivového systému

- Nikdy nespustíte motor, pokud jsou kabely akumulátoru uvolněné.
- Otočte klíč do polohy VYPNUTO, než budete odpojovat, vyjímat anebo instalovat akumulátor.
- Motor nikdy nespustíte pomocí nabíječky akumulátoru.
- Nikdy neodpojujte kabely akumulátoru, pokud je motor v chodu.
- Když zapojujete kabely akumulátoru, nejprve připojte kabel k pozitivní (+) svorce a pak připojte kabel k negativní (-) svorce akumulátoru.
- Při nabíjení akumulátoru otočte spínač zapalování do polohy VYPNUTO a odpojte kabel od negativní (-) svorky akumulátoru.
- Nestříkejte vodu přímo na elektronicky ovládací jednotku.

Karburátor a rychlost motoru

Nikdy sami neseřizujte karburátor ani rychlost motoru. Karburátor je již z výroby seřizen tak, aby efektivně fungoval ve většině pracovních podmínek. Rychlost motoru se nesmí měnit úpravami pružin regulátoru, táhel a ostatních dílů. Pokud je přece jen nutné seřízení provést, kontaktujte autorizované servisní středisko Briggs & Stratton.

UPOZORNĚNÍ Výrobce zařízení, do kterého je motor osazen, uvádí maximální rychlost motoru vhodnou pro provoz daného zařízení. **Nepřekračujte** tuto rychlost. Pokud si nejste jisti, jaká je maximální rychlost zařízení nebo jaká rychlost motoru byla nastavena z výroby, požádejte o pomoc autorizované servisní středisko Briggs & Stratton. Aby zařízení bezpečně a správně fungovalo, měl by rychlost motoru vždy seřizovat pouze kvalifikovaný servisní technik.

Proveďte servis zapalovací svíčky

Viz obrázek 7

Zkontrolujte vzduchovou mezeru (A, obrázek 7) pomocí drátové měřky (B). Je-li to nutné, mezeru znovu nastavte. Nainstalujte zapalovací svíčku a dotáhněte ji na doporučený kroučící moment. Postup nastavení mezery nebo kroučící moment najdete v části **Specifikace**.

Poznámka: *V některých oblastech místní předpisy vyžadují použití zapalovací svíčky s odporem pro potlačení rušení. Jestliže byl tento motor původně vybaven svíčkou s odporem, používejte k výměně svíčky stejného typu.

Servis výfukové soustavy



VAROVÁNÍ

Provoz motoru vede ke vzniku tepla. Části motoru, zvláště tlumič, budou velice horké.

Ve styku s nimi mohou vzniknout vážné popáleniny.

Hořlavý materiál, jako je listí, tráva, roští atd., může vzplanout.

- Před manipulací nechte tlumič výfuku, válec a žebra motoru vychladnout.
- Odstraňte nahromaděný materiál z tlumiče a oblasti válce.
- Při použití zařízení na zalesněném, travnatém nebo křovím porostlém pozemku bez lapače jisker nainstalovaného ve výfukovém systému a udržovaného v řádném funkčním stavu porušujete ustanovení paragrafu 4442 Zákona o veřejných zdrojích státu Kalifornie. Jiné státy nebo federální jurisdikce mohou mít podobné zákony. Chcete-li zakoupit lapač jisker vhodný pro výfukový systém nainstalovaný na tomto motoru, kontaktujte výrobce původního zařízení, prodejce nebo dodavatele.

Odstraňte nahromaděný materiál z tlumiče a oblasti válce. Zkontrolujte, zda tlumič výfuku nevykazuje praskliny, korozi nebo jiné opotřebení. Sejměte lapač jisker, je-li jím motor vybaven, a zkontrolujte, zda není poškozen nebo zanesen uhlíkovými usazeninami. Pokud zjistíte poškození, před dalším spuštěním přístroje nainstalujte náhradní díly.



VAROVÁNÍ

Náhradní díly musí být stejné a namontované do stejné polohy, jako původní díl. Jiné součástky nemusí stejně dobře fungovat, mohou poškodit jednotku či vést k poranění.

Výměna motorového oleje

Viz obrázek: 8, 9, 10, 11

Použitý olej je nebezpečný odpad a je nutno jej správným způsobem zlikvidovat. Použitý olej nepatří do domovního odpadu. Ohledně bezpečné likvidace/recyklace oleje se poraďte s místními úřady, servisním střediskem nebo prodejcem.

Odstranění oleje

1. Dokud je motor po vypnutí ještě teplý, odpojte kabel od zapalovací svíčky (D, obrázek 8) a uložte jej dále od zapalovací svíčky (E).
2. Vyjměte měrku (A, obrázek 9).

Zátka na vypouštění oleje, pokud je jím motor vybaven

1. Odstraňte zátku pro vypouštění oleje (F, obrázek 10). Olej vyprázdněte do schválené nádoby.

Poznámka: Na motoru mohou být nainstalovány kterékoli z následujících vyobrazených vypouštěcích zátek (G, obrázek 10).

2. Po vypouštění oleje nasadte a utáhněte vypouštěcí zátku (F, obrázek 10).

Rychlé vypouštění oleje, je-li jím motor vybaven

1. Odpojte hadici pro rychlé vypouštění oleje (H, obrázek 11) ze strany motoru.
2. Nasadte a dotáhněte uzávěr pro vypouštění oleje (I, obrázek 11). Opatrně spusťte hadici pro rychlé vypouštění oleje (H) do schválené nádoby (J).
3. Po vypouštění oleje nasadte a utáhněte zátku rychlého vypouštění oleje (I, obrázek 11). Připojte hadici pro rychlé vypouštění oleje (H) na straně motoru.

Výměna olejového filtru, je-li jím motor vybaven

Některé modely mají olejový filtr. Vhodnou dobu mezi výměnami naleznete v **Plánu údržby**.

1. Z motoru odstraňte olej. Viz část **Odstranění oleje**.
2. Vyjměte olejový filtr (K, obrázek 9) a předepsaným způsobem jej zlikvidujte.
3. Před instalací nového olejového filtru lehce namažte těsnění olejového filtru čerstvým a čistým olejem.
4. Ručně namontujte olejový filtr tak, aby se ploché těsnění dotýkalo adaptéru olejového filtru, pak ho utáhněte o 1/2 až 3/4 otočení.
5. Přidejte olej. Viz část **Doplnění oleje**.

- Nastartujte motor a nechte ho běžet. Po zahřátí motoru hledejte stopy úniku oleje.
- Zastavte motor a překontrolujte množství oleje. Správná hladina oleje má dosahovat k horní rýsce hladiny (B, obrázek 9) na měrce.

Doplnění oleje

- Zkontrolujte, zda je motor vyvážen a zda stojí rovně.
- Plochu pro plnění oleje vyčistěte.
- Objem oleje naleznete v části **Specifikace**.

- Vyjměte měрку (A, obrázek 9) a otřete ji čistým hadříkem.
- Pomalou nalévejte olej do plnicího otvoru (C, obrázek 9). **Nepřepřilňujte**. Po přidání oleje vyčkejte jednu minutu a pak zkontrolujte množství oleje.

Poznámka: Nepřidávejte olej přes rychlé vypouštění oleje (H, obrázek 11), je-li jím motor vybaven.

- Vraťte měрку zpět a dotáhněte ji (A, obrázek 9).
- Měрку vyndejte a překontrolujte množství oleje. Správná hladina oleje má dosahovat k horní rýsce hladiny (B, obrázek 9) na měrce.
- Vraťte měрку zpět a dotáhněte ji (A, obrázek 9).
- Připojte kabel zapalovací svíčky (D, obrázek 8) k zapalovací svíčce (E).

Servis vzduchového filtru

Viz obrázek: 12, 13



VAROVÁNÍ

Palivo a jeho páry jsou velice hořlavé a výbušné.

Požár nebo výbuch může způsobit vážné popáleniny nebo i smrt.

- Motor nikdy nespustíte ani nenechávejte běžet s vyndanou sestavou čističe vzduchu nebo s vyndaným vzduchovým filtrem (pokud je jím motor vybaven).

UPOZORNĚNÍ K čištění filtru nepoužívejte stlačený vzduch či ředidla. Stlačený vzduch může poškodit filtr a ředidla ho mohou rozpustit.

Informace o servisních požadavcích najdete v **Plánu údržby**.

Různé modely používají buď pěnový nebo papírový filtr. Některé modely jsou také vybaveny předfiltrem, který je možné vyprat a opětovně použít. Porovnejte ilustrace v této příručce s typem filtru, který je nainstalován ve vašem motoru a proveďte servis dle následujících informací.

Papírový vzduchový filtr

- Zatáhněte za držadlo krytu (A, obrázek 12). Otočte držadlem směrem k motoru a pak kryt sejměte (B).
- Vyjměte předfiltr (C, obrázek 12), je-li jím motor vybaven, a filtr (D).
- Aby se nečistoty uvolnily, opatrně oklepejte filtr (D, obrázek 12) o tvrdý povrch. Jestliže je filtr nadměrně špinavý, vyměňte ho za nový filtr.
- Vyperte předfiltr (C, obrázek 12) v kapalném čisticím prostředku s vodou. Nechte předfiltr (C) kompletně uschnout na vzduchu. **Nemažte** předfiltr olejem.
- Nainstalujte suchý předfiltr (C, obrázek 12) a filtr (D) k základně motoru (E).
- Zarovnejte příchytky (F, obrázek 12) na krytu (B) s drážkami (G) v pouzdře výtlačného ventilátoru.
- Otočte držadlem krytu (A, obrázek 12) zpátky a zatlačte držadlo tak aby zapadlo na své místo.

Papírový vzduchový filtr

- Otevřete západku (západky) (A, obrázek 13).
- Sejměte kryt (B, obrázek 13).
- Filtr (C, obrázek 13) vyjměte tak, že zdvihnete konec filtru a pak vytáhněte filtr z přívodu vzduchu (D).
- Aby se nečistoty uvolnily, opatrně oklepejte filtr (C, obrázek 13) o tvrdý povrch. Jestliže je filtr nadměrně špinavý, vyměňte ho za nový filtr.
- Vyjměte předfiltr (E, obrázek 13), je-li jím motor vybaven, z filtru (C).
- Vyperte předfiltr (E, obrázek 13), je-li jím motor vybaven, v kapalném čisticím prostředku s vodou. Nechte předfiltr kompletně uschnout na vzduchu. **Nemažte** předfiltr olejem.
- Sestavte suchý předfiltr (E, obrázek 13), je-li jím motor vybaven, a vložte jej do filtru (C).

- Nainstalujte filtr (C, obrázek 13) do přívodu vzduchu (D). Zatlačte konec filtru do základny motoru. Ujistěte se, že filtr v základně motoru bezpečně sedí.
- Nainstalujte kryt vzduchového filtru (B, obrázek 13) a zajistěte ho západkou (západkami) (A).

Servis palivové soustavy

Viz obrázek: 14, 15



VAROVÁNÍ

Palivo a jeho páry jsou velice hořlavé a výbušné.

Požár nebo výbuch může způsobit vážné popáleniny nebo i smrt.

- Palivo udržujte mimo otevřený oheň, jiskry, věčný plamínek, tepelné nebo jiné zápalné zdroje.
- Palivové trubičky, nádrž a víčko často kontrolujte, zda nevykazují známky poškození. Jestliže je to nutné, nahraďte je novými.
- Před čištěním palivového filtru vypusťte palivovou nádrž nebo zavřete palivový kohout.
- Jestliže dojde k rozliti paliva, před dalším startováním vyčkejte, než znovu vyschne.
- Náhradní díly tlumiče výfuku musí být stejné jako originály a namontované na původních místech.

Palivový filtr, je-li jím motor vybaven

- Před čištěním nebo výměnou palivového filtru (A, obrázek 14) vypusťte palivovou nádrž nebo zavřete uzavírací ventil paliva. Jinak může palivo prosáknout a způsobit požár nebo výbuch.
- Ke stisknutí úchytek (B, obrázek 14) na svorkách (C) použijte kleště, potom odsuňte svorky stranou od palivového filtru (A). Odšroubujte a vytáhněte palivové potrubí (D) z palivového filtru.
- Zkontrolujte, zda palivové potrubí (D, obrázek 14) nevykazuje praskliny nebo netěsnosti. Jestliže je to nutné, vyměňte je.
- Vyměňte palivový filtr (A, obrázek 14) za originální náhradní filtr.
- Zajistěte palivové potrubí (D, obrázek 14) svorkami (C) dle vyobrazení.

Čistič paliva, je-li jím motor vybaven

- Sejměte uzávěr palivové nádrže (A, obrázek 15).
- Sejměte palivové sítko (B, obrázek 15).
- Je-li palivové sítko znečištěné, vyčistěte je nebo je vyměňte. Při výměně palivového sítko používejte vždy originální náhradní palivové sítko.

Servis chladicí soustavy



VAROVÁNÍ

Provoz motoru vede ke vzniku tepla. Části motoru, zvláště tlumič, budou velice horké.

Ve styku s nimi mohou vzniknout vážné popáleniny.

Hořlavý materiál, jako je listí, tráva, roští atd., může vzplanout.

- Před manipulací nechte tlumič výfuku, válec a žebra motoru vychladnout.
- Odstraňte nahromaděný materiál z tlumiče a oblasti válce.

UPOZORNĚNÍ Nepoužívejte k čištění motoru vodu. Voda by mohla kontaminovat palivovou soustavu. K čištění motoru použijte kartáč nebo suchý hadřík.

Toto je motor chlazený vzduchem. Špína nebo nečistoty mohou omezovat proudění vzduchu a způsobit přehřátí motoru, což povede ke špatnému výkonu a sníží životnost motoru.

- Pomocí kartáče nebo suchého hadříku odstraňte nečistoty z mřížky přívodu vzduchu.
- Udržujte táhla, pružiny a ovládací prvky čisté.
- Odstraňujte z okolí tlumiče výfuku (je-li jím motor vybaven) hořlavé nečistoty.
- Zkontrolujte, zda nejsou žebra chladiče oleje zanesená nečistotami a usazeninami.

Po určité době se nečistoty mohou nahromadit v žebrech chladičového válce a způsobit přehřátí motoru. Tyto nečistoty se nedají odstranit bez částečného rozmontování motoru. O kontrolu a vyčištění vzduchového chladičového systému požádejte autorizovaný servis Briggs & Stratton, jak doporučujeme ve **Schématu údržby**.

Skladování



VAROVÁNÍ

Palivo a jeho výpary jsou vysoce hořlavé a výbušné.

Oheň či exploze mohou způsobit vážné popáleniny nebo smrt.

Při skladování paliva nebo zařízení s palivem v nádrži

- Uchovávejte odděleně od pecí, kamen, ohřívačů vody či jiných zařízení, která mají věčný plamínek nebo jiných zdrojů zažehnutí. Mohlo by dojít ke vznícení palivových výparů.

Palivový systém

Viz obrázek: 16

Motor ukládejte rovně (normální provozní poloha). Nádrž pro plnění (A, obrázek 16) palivem. Aby bylo umožněno roztahování paliva, nádrž nepřeplyňte nad hrdlo (B).

Jestliže je palivo skladováno po dobu delší 30 dnů, může se zkazit. Zkažené palivo vede ke sraženinám kyselin a gumy v palivovém systému či v nezbytných částech karburátoru. K udržování čerstvého paliva používejte **Přípravek pro úpravu a stabilizaci paliva se zdokonaleným složením Briggs & Stratton**, který je možné zakoupit všude, kde se prodávají originální servisní díly Briggs & Stratton.

Jestliže je do paliva přidán stabilizátor v souladu s pokyny, není potřeba benzín vypouštět. Motor zapněte po dobu dvou (2) minut, aby stabilizátor před uložením mohl obíhat palivovým systémem.

Jestliže nebyl do paliva v motoru přidán stabilizátor, palivo je nutno vypustit do schválené nádoby. Motor nechte běžet do té doby, než se zastaví kvůli nedostatku paliva. K udržování dobrého stavu paliva se doporučuje použití stabilizátoru paliva ve skladovací nádobě.

Motorový olej

Olej vyměňte, dokud je motor ještě teplý. Viz část **Výměna motorového oleje**.

Řešení problémů

Pokud potřebujete pomoc, kontaktujte svého místního prodejce, navštivte stránku **BRIGGSandSTRATTON.com** nebo zavolejte na **1-800-233-3723** (v USA).

Specifikace

Model: 210000	
Zdvihový objem	21.01 ci (344 cc)
Vrtání	3.437 in (87,30 mm)
Zdvih	2.264 in (57,51 mm)
Obsah oleje - bez filtru	42 - 44 oz (1,24 - 1,30 L)
Obsah oleje - s filtrem	46 - 48 oz (1,36 - 1,40 L)
Vzduchová mezera zapalovací svíčky	0.030 in (0,76 mm)
Utahovací moment zapalovací svíčky	180 lb-in (20 Nm)
Vzduchová mezera zapalovací cívky	0.010 - 0.014 in (0,25 - 0,36 mm)
Vůle sacího ventilu	0.003 - 0.005 in (0,08 - 0,13 mm)
Vůle výfukového ventilu	0.005 - 0.007 in (0,13 - 0,18 mm)

Model: 310000	
Zdvihový objem	30.59 ci (501 cc)
Vrtání	3.563 in (90,49 mm)
Zdvih	3.062 in (77,77 mm)
Obsah oleje - bez filtru	42 - 44 oz (1,24 - 1,30 L)
Obsah oleje - s filtrem	46 - 48 oz (1,36 - 1,40 L)
Vzduchová mezera zapalovací svíčky	0.030 in (0,76 mm)
Utahovací moment zapalovací svíčky	180 lb-in (20 Nm)
Vzduchová mezera zapalovací cívky	0.010 - 0.014 in (0,25 - 0,36 mm)
Vůle sacího ventilu	0.003 - 0.005 in (0,08 - 0,13 mm)
Vůle výfukového ventilu	0.005 - 0.007 in (0,13 - 0,18 mm)

Výkon motoru klesá o 3,5 % na každých 300 metrů (1 000 stop) nadmořské výšky a o 1 % na každých 5,6 °C (10 °F) nad 25 °C (77 °F). Motor funguje normálně při náklonu do 15°. Maximální dovolené provozní limity pro svahy najdete v návodu k obsluze zařízení.

Servisní díly – model: 210000	
Servisní díl	Číslo dílu
Vzduchový filtr, papírový (viz obrázek 13)	796032
Předfiltr vzduchového filtru, pěnový (viz obrázek 13)	798911
Vzduchový filtr, papírový (viz obrázek 12)	698413, 5079
Předfiltr vzduchového filtru, pěnový (viz obrázek 12)	697292, 5079
Olej - SAE 30 (0,6 l, 20 oz)	100005
Olej - SAE 30 (1,4 l, 48 oz)	100028
Olejový filtr	492932
Advanced Formula Fuel Treatment & Stabilizer (Přípravek pro úpravu a stabilizaci paliva se zdokonaleným složením)	100117, 100120
Palivový filtr - motor bez palivového čerpadla	394358, 5098
Palivový filtr - motor s palivovým čerpadlem	691035, 5065
Zapalovací svíčka s odrušením	491055
Platinová zapalovací svíčka s dlouhou životností	5066
Klíč na zapalovací svíčku	89838, 5023
Zkoušečka zapalování	19368

Servisní díly – model: 310000	
Servisní díl	Číslo dílu
Vzduchový filtr, papírový (viz obrázek 13)	796031
Předfiltr vzduchového filtru, pěnový (viz obrázek 13)	797704
Vzduchový filtr, papírový (viz obrázek 12)	698083, 5077
Předfiltr vzduchového filtru, pěnový (viz obrázek 12)	697015, 5077
Vzduchový filtr, plochý omyvatelný	697153, 5078
Olej - SAE 30 (0,6 l, 20 oz)	100005
Olej - SAE 30 (1,4 l, 48 oz)	100028
Olejový filtr, standardní - černý	492932
Olejový filtr, vysoce účinný - žlutý	795890
Olejový filtr, vysoce účinný - oranžový	798576
Advanced Formula Fuel Treatment & Stabilizer (Přípravek pro úpravu a stabilizaci paliva se zdokonaleným složením)	100117, 100120
Palivový filtr - motor bez palivového čerpadla	394358, 5098
Palivový filtr - motor s palivovým čerpadlem	691035, 6065
Zapalovací svíčka s odrušením	491055
Platinová zapalovací svíčka s dlouhou životností	5066
Klíč na zapalovací svíčku	89838, 5023
Zkoušečka zapalování	19368

Doporučujeme svěřit veškerý servis a údržbu motorů a jejich dílů některému autorizovanému prodejci značky Briggs & Stratton.

Jmenovitý výkon: Hrubý jmenovitý výkon jednotlivých modelů benzínových motorů je uváděn v souladu s normou J1940 pro postup při stanovování výkonu a kroutícího momentu u malých motorů (Small Engine Power & Torque Rating Procedure), vydanou asociací SAE (Society of Automotive Engineers) a jmenovitý výkon byl získán a přepočten v souladu s normou SAE J1995. Hodnoty kroutícího momentu byly získány při 2600 RPM u motorů označených štítkem „rpm“ a při 3060 RPM u všech ostatních motorů. Hodnoty výkonu u koních byly získány při 3600 RPM. Křivky hrubého výkonu motoru si můžete zobrazit na webu www.BRIGGSandSTRATTON.COM. Čisté hodnoty výkonu byly získány s namontovaným výfukem a vzduchovým filtrem, zatímco hrubé hodnoty výkonu byly získány bez tohoto příslušenství. Skutečný hrubý výkon motoru bude vyšší než čistý výkon, což je ovlivněno mimo jiné provozními podmínkami prostředí a rozdíly mezi jednotlivými vyrobenými kusy motorů. Z důvodu široké škály produktů, do nichž se motory umísťují, nemusí benzinový motor při použití v konkrétním druhu zařízení dosahovat jmenovitého hrubého výkonu. Tento rozdíl je způsoben mnoha faktory, mezi něž patří velký výběr komponent motoru (jako je například vzduchový filtr, výfuk, plnění, chlazení, karburátor, palivové čerpadlo atd.), omezení využití, provozní podmínky prostředí (teplota, vlhkost, nadmořská výška) a rozdíly mezi jednotlivými vyrobenými kusy motoru. V důsledku výrobních a kapacitních omezení může společnost Briggs & Stratton nahradit motor této série motorem s vyšším jmenovitým výkonem.

Záruka

Záruka na motor Briggs & Stratton

Platí od ledna 2017

Omezená záruka

Společnost Briggs & Stratton zaručuje, že během níže uvedených záruk lhůty opraví či vymění zdarma jakékoli defektní součástky, ať už jde o defekt materiálu či provedení či oboje. Za přepravní náklady spojené s přepravou výrobku k opravě či náhradě při uplatnění záruky je zodpovědný zákazník. Tato záruka je platná pro stanovená časová období a podléhá níže uvedeným podmínkám. Pro záruční servis se obračejte na nejbližšího autorizovaného servisního prodejce, který je uveden v přehledu prodejců na webové stránce www.briggsandstratton.com. Zákazník musí kontaktovat autorizovaného servisního dealera a pak mu produkt zpřístupnit pro inspekci a testy.

Neexistují jiné výslovné záruky. Předpokládané záruky, včetně záruk týkajících se prodejnosti a vhodnosti pro určitý účel, jsou omezeny na níže uvedenou záruční lhůtu, anebo v rozsahu povoleném zákonem. Zodpovědnost za vedlejší či následné škody je vyloučena v rozsahu povoleném zákonem. Některé státy nepovolují omezení na délce trvání implikovaných záruk a některé státy nepovolují vyjmutí či omezení náhodných škod, takže výše uvedená vyjmutí a omezení se na vás nemusí vztahovat. Tato záruka vám poskytuje specifická práva, nicméně můžete mít i jiná práva, která se mohou v jednotlivých státech a zemích lišit.⁴

Standardní záruční podmínky 1, 2, 3

Značka / Název produktu	Spotřebitelské použití	Komerční použití
Vanguard™; Série pro komerční použití	36 měsíců	36 měsíců
Motory vybavené litinovou vložkou válce Dura-Bore™	24 měsíců	12 měsíců
Všechny ostatní motory	24 měsíců	3 měsíce

¹Toto jsou naše standardní záruční podmínky, ale v některých případech může existovat další záruční krytí, které nebylo v době vydání tohoto dokumentu stanoveno. Informace o aktuálních záručních podmínkách pro váš motor získáte na webu www.briggsandstratton.com nebo kontaktováním autorizovaného servisního střediska Briggs & Stratton.

²Na motory v zařízeních, používaných jako primární pohon namísto elektrorozvodné sítě, ani v záložních generátorech, používaných ke komerčním účelům, se záruka neposkytuje. Na motory, používané při sportovních závodech nebo na komerčních či nájemních dráhách, se žádná záruka neposkytuje.

³ Motory Vanguard nainstalované na záložních generátorech: 24 měsíců záruka pro spotřebitelské používání, žádná záruka pro komerční používání. Motory Vanguard nainstalované v užitkových vozidlech: 24 měsíců záruka pro spotřebitelské používání, 24 měsíců záruka pro komerční používání. Série pro komerční použití s datem výroby do července 2017, 24 měsíců záruka pro spotřebitelské používání, 24 měsíců záruka pro komerční používání.

⁴ V Austrálii – Naše zboží je dodáváno se zárukami, které nelze vyloučit podle australských zákonů pro styk se zákazníky. Máte nárok na výměnu či vrácení peněz za větší selhání a kompenzaci za jakékoli jiné přiměřené předvídatelné ztráty či škody. Máte také nárok na opravy či výměnu zboží, jestliže nedosahuje přijatelné kvality a selhání nepředstavuje rozhodující selhání. Potřebujete-li záruční servis, vyhledejte naše nejbližší autorizované servisní středisko, které zjistíte na mapě na webové stránce BRIGGSandSTRATTON.com nebo telefonicky na čísle 1300 274 447, případně zasláním e-mailu na adresu salesenquiries@briggsandstratton.com.au, Briggs & Stratton Australia Pty Ltd, 1 Moorebank Avenue, Moorebank, NSW, Austrálie, 2170.

Záruční lhůta začíná původním dnem nákupu prvním maloobchodním nebo komerčním spotřebitelem. "Spotřebitelským používáním" se rozumí osobní používání maloobchodním spotřebitelem v domácnosti. "Komerčním použitím" se rozumí všechny ostatní druhy použití, a to včetně použití komerčního, výdělečného a v půjčovnách. Jakmile byl jeden motor použit pro komerční účely, musí být pro účely této záruky nadále považován za motor pro komerční použití.

Uschovejte si váš pokladní doklad. Jestliže při vyžádání záruky neposkytnete doklad s datem zakoupení, bude pro určení záruční lhůty produktu použito datum výroby. Pro obdržení záruky na produkty Briggs & Stratton není nutné, aby byly registrovány.

O vaší záruce

Tato omezená záruka se vztahuje pouze na materiál a/nebo zpracování související s motorem, a nikoliv na výměnu nebo proplacení zařízení, na kterém může být motor namontován. Na běžnou údržbu, tuning, seřizování nebo normální opotřebení se tato záruka nevztahuje. Stejně tak se záruka nevztahuje na motor, který byl pozměněn nebo upraven ani na motor, jehož sériové číslo bylo znečitelněno nebo odstraněno. Tato záruka se nevztahuje na poškození motoru ani na problémy s výkonem způsobené:

1. Použitím jiných než originálních dílů Briggs & Stratton;
2. Provozováním motoru s kontaminovaným mazacím olejem, s nesprávným typem oleje nebo s jeho nedostatečnou hladinou;

3. Použitím kontaminovaného nebo starého paliva, benzínu smíchaného s více než 10 % etanolu nebo použitím alternativních paliv, jako je zkpalněný nebo zemní plyn u motorů, které nebyly společností Briggs & Stratton zkonstruovány/vyrobeny pro použití těchto paliv;
4. Nečistotou, která se dostala do motoru v důsledku nesprávné údržby nebo zpětné montáže vzduchového filtru;
5. Úderem nože rotační sekačky na trávu do nějakého předmětu, uvolněnými nebo nesprávně namontovanými nožovými adaptéry, oběžnými koly nebo jinými prvky spojenými s klikovým hřídelem nebo nadměrným napnutím klínového řemene;
6. Souvisejícími součástmi nebo sestavami, např. spojkami, převody, ovládacími zařízeními apod., které nebyly dodány společností Briggs & Stratton;
7. Přehřátím vyvolaným kusy trávy, nečistotami, úlomky nebo hnízdý hlodavců ucpávajícími chladič žebra nebo prostor setrvačnicku nebo provozováním motoru bez dostatečné ventilace;
8. Nadměrnými vibracemi vyvolanými přílišnými otáčkami, uvolněným závěsem motoru, uvolněnými nebo nevyváženými noži či oběžnými koly nebo nesprávnou montáží součástí zařízení na klikový hřídel;
9. Nesprávným používáním, nedostatečnou běžnou údržbou, přepravou, manipulací nebo skladováním zařízení nebo nesprávnou montáží motoru.

Záruční služby zajišťují pouze autorizovaní zástupci společnosti Briggs & Stratton. Vaše nejbližší autorizované zástupce společnosti Briggs & Stratton zjistíte na naší mapě na webové stránce www.briggsandstratton.com nebo telefonicky na čísle 1-800-233-3723 (v USA).

80004537 (Rev. C)

See kasutusjuhend sisaldab ohutusala infot, et teadvustada Teid mootoritega seotud ohtudest ja riskidest ning nende vältimise võimalustest. Lisaks sisaldab see juhiseid mootori õige kasutamise ja hooldamise kohta. Kuna Briggs & Stratton Corporation ei pruugi teada, millist seadet see mootor käitab, on oluline, et te loeksite ja mõistaksite siinseid ja käitatava seadme kohta käivaid juhiseid **Hoidke käesolev kasutusjuhend edaspidiseks kasutamiseks alles.**

Märkus. Joonised, illustatsioonid ja piktogramm selle juhendis on üksnes viitelise iseloomuga ja võivad konkreetselt mudelist erineda. Kui teil tekib küsimusi, siis pöörduge oma edasimüüja poole.

Varuosade tellimisel ja tehnilise abi saamiseks pange allpool kirja mootori mudel, tüüp ja koodid koos ostukuupäevaga. Nende numbrite asukohti vaadake mootorilt (vt teemat **Omadused ja juhtseadised**).

Ostukuupäev:	
Mootori mudel – Tüüp – Kood	
Mootori seerianumber	

Mõnel mootoril on olemas vastav 2D-võõtkood. 2D-võõtkoodi toega seadmega skannides viib kood meie veebisaidile, kus saate vaadata selle toote tugiteavet. Sellega võivad kaasneda teie teenusepakkuja andmesideteadused. Mõnes riigis ei pruugi veebipõhine tugiteave olla kättesaadav.



Ringlussevõtmise teave

		Kõik pakkematerjalid, kasutatud õli ja akud tuleks võtta ringlusse kooskõlas asjakohaste riiklike määrustega.
--	--	---

Kasutaja turvalisus

Hoiatussümbol ja märgusõnad

Hoiatustähisega on tähistatud ohutusteave, mis hoiatab võimalike kehavigastuste ohu eest. Märgusõna (OHT, HOIATUS või ETTEVAATUST) kasutatakse koos hoiatustähisega, et näidata ohu tõenäosust ja võimaliku kehavigastuse tõsidust. Lisaks võib ohutähis märkida ohu tüüpi.

OHT tähistab ohtu, mis juhul, kui seda ei väldita, **toob kaasa surma või raske kehavigastuse.**

HOIATUS tähistab ohtu, mis juhul, kui seda ei väldita, **võib kaasa tuua surma või raske kehavigastuse.**

ETTEVAATUST tähistab ohtu, mis juhul, kui seda ei väldita, **võib kaasa tuua kerge või keskmise kehavigastuse.**

TEATIS tähistab olukorda, kus seade võib saada kahjustada.

Ohu tähised ning nende tähendused

Sümbol	Tähendus	Sümbol	Tähendus
	Ohutusteave ohtude kohta, mis võivad põhjustada kehavigastusi.		Lugege kasutusjuhend enne seadme käsitlemist või hooldamist tähelepanelikult läbi.

Sümbol	Tähendus	Sümbol	Tähendus
	Tuleoht		Plahvatusoht
	Elektriõõgi oht		Mürgiste gaaside sissehingamise oht
	Põletushaavade oht (kuum pind)		Mürakahjustuse oht – pikemaajalisel kasutamisel on soovitatav kanda kõrvaklappe.
	Lendupaiskuvate objektide oht – kandke kaitseprille.		Plahvatusoht
	Külmakahjustuse oht		Tagasilöögi oht
	Jäsemekaotuse oht – liikuvad osad		Keemiline oht
	Soojusenergia oht		Söövitav

Ohutusteated



HOIATUS

Teatud komponendid tootel ja sellega seotud tarvikud sisaldavad keemilisi aineid, mis põhjustavad California osariigile teadaolevalt vähki, sünnidefekte või muid reproduktiivsuskahjustusi. Pärast käsitlemist peske käsi.



HOIATUS

Käesoleva toote mootori heitgaasid sisaldavad keemilisi aineid, mis põhjustavad California osariigile teadaolevalt vähki, sünnidefekte või muid reproduktiivsuskahjustusi.



HOIATUS

Briggs & Strattoni mootorid pole mõeldud kasutamiseks järgmistest rakendustest: kardid, lastekardid, lastesõidukid, vabaaja- või sportlikud maastikusõidukid (ATV-d); mootorrattad; hõljuhid; õhusõidukid; või sõidukid, mida kasutatakse võistlustel, millele pole Briggs & Stratton luba andnud. Võidusõidutoodete kohta leiate teavet aadressilt www.briggsracing.com. Tarbesõidukite ja mitmekohaliste ATVdega kasutamiseks pidage nõu Briggs & Strattoni mootorirakenduste keskusega, tel 1 866 927 3349. Mootori mittekohane kasutamine võib põhjustada raskeid vigastusi või surma.



HOIATUS



Kütus ja selle aurud on äärmiselt kergesti süttivad ning plahvatusohtlikud.

Tulekahju või plahvatus võivad põhjustada tõsiseid põletusi või surma.

Kütuse lisamisel

- Lülitage mootor välja ning laske sellel jahtuda vähemalt 2 minutit enne kütusekorgi eemaldamist.
- Lisage kütust õues või hästi ventileeritud alas.
- Vältige kütusepaagi ületäitmist. Jätmaks ruumi kütuse paisumiseks, ärge täitke kõrgemalt kui kütusepaagi kaela alumise osani.
- Hoidke kütus eemal sädemetest, lahtisest leegist, pilootleekidest, kuumusest ning teistest süüteallikatest.

- Veenduge sageli, et kütusetorudes, paagis, korgi ning torulütmike juures ei oleks pragusid ega lekkeid. Vajaduse korral asendage.
- Kütuse väljaloksumisel oodake selle aurustumist, enne kui mootori käivitate.

Mootori käivitamisel

- Veenduge, et süüteküünal, summuti, kütusepaagi kork ning õhupuhasi (selle olemasolul) on paigas ja kinnitatud.
- Ärge käituge mootorit, kui süüteküünal on eemaldatud.
- Kui mootor on üle ujutatud, siis seadke õhuklapp (selle olemasolul) asendisse AVATUD/TOIDE, viige seguklapp (selle olemasolul) asendisse KIIRE ning käituge, kuni mootor käivitub.

Seadme kasutamine

- Ärge kallutage mootorit ega seadet asendisse, milles kütus võib välja voolata.
- Ärge sulgege karburaatori ahendusklappi mootori peatamiseks.
- Ärge käivitage ega käituge mootorit, kui õhupuhasi koost (kui olemas) või õhufilter (kui olemas) on eemaldatud.

Õli vahetamisel

- Kui lasete õli välja ülemise õlitäitetoru kaudu, peab kütusepaak olema tühi, vastasel korral võib kütus välja voolata ja põhjustada tulekahju või plahvatus.

Seadme hooldusotstarbeks kallutamisel

- Kui seadme hooldamine nõuab selle kallutamist, peab kütusepaak, kui see on kinnitatud mootori külge, olema tühi, vastasel korral võib kütus välja voolata ja põhjustada tulekahju või plahvatus.

Seadme transportimisel

- Transportimise ajal peab kütusepaak olema TÜHI või kütusekraan SULETUD asendis.

Kütuse või paagis oleva kütusega seadmete hoiustamisel

- Paigutage need eemale ahjustest, pliitidest, veesoojenditest või teistest seadmetest, millel on pilootleek või teised süüteallikad, sest need võivad kütuseaurusid süüdata.



HOIATUS

Mootori käivitamisel tekib säde.

Säde võib süüdata lähedalolevaid kergestisüttivaid gaase.

See võib põhjustada plahvatus ja tulekahju.

- Kui ümbruskonnas on aset leidnud maa- või vedelgaasilekke, ärge mootorit käivitage.
- Ärge kasutage survestatud käivitusvedelikke, sest nende aurud on tuleohtlikud.



HOIATUS

MÜRGISE GAASI OHT. Mootori heitgaasid sisaldavad süsinikmonoksiidi e vingugaasi, mis on mürgine ja võib tappa mõne minuti jooksul. Te EI NÄE seda, ei tunne selle lõhna ega maitset. Isegi kui te ei tunne heitgaaside lõhna, ei pruugi te olla kaitstud vingugaasi eest. Kui tunnete selle toote kasutamisel iiveldust, peapööritust või nõrkust, siis lülitage masin välja ja minge KOHE värskesse õhu kätte. Pöörduge arsti poole. Võimalik, et teil on vingugaasi mürgitus.

- Kasutage seda toodet AINULT väga kaugel akendest, udest ja ventilatsioonivadest, et vältida vingugaasi kogunemise ohtu ja selle potentsiaalset liikumist eluruumide suunas.
- Paigaldage akutoitel töötavad vingugaasi alarimid või vooluvõrgutoitega vingugaasi alarimid koos varutoite akuga kooskõlas tootja juhistega. Suitsualarimid ei suuda vingugaasi tuvastada.
- ÄRGE käituge seda toodet majades, garaazides, keldrites, madalates käikudes, kuurides või teistes osaliselt suletud ruumides isegi siis, kui kasutate ventilaatoreid või avate ukseid ja aknad õhutamiseks. Vingugaas võib kiiresti nendesse ruumidesse koguneda ja seal mitmeid tunde püsida, isegi pärast masina väljalülitamist.
- Paigutage see toode ALATI allatuult ja suunake mootori heitgaasid eemale aladest, kus viibivad inimesed.



HOIATUS

Starteritrossi järsk tagasitõmbumine (tagasilöökk) tõmbab teie kätt mootori poole kiiremini, kui te starteritrossist lahti suudate lasta.

See võib põhjustada luumurde, muljumishaavasid või nikastusi.



HOIATUS

Pöörlevad osad võivad käte, jalgade, juuste, rõivaste või aksessuaaride vastu puutuda või nende külge haakuda.

Tagajärjeks võib olla kehaosade küljestrebimine või vigastus.

- Kasutage üksnes korras kaitsepiiretega seadmeid.
- Hoidke käed ja jalad pöörlevatest osadest eemal.
- Siduge pikad juuksed üles kokku ning eemaldage ehted.
- Ärge kandke avaraid rõivaid, rippuvaid kinnituspaelu ega muid esemeid, mis võivad seadmesse takerduda.



HOIATUS

Mootori töötamine tekitab soojust. Mootori osad, eriti summuti, muutuvad äärmiselt kuumaks.

Kokkupuude sellega võib kaasa tuua tõsiseid põletusi.

Lehed, rohi, hagu vms praht võivad kergesti süttida.

- Laske summutil, mootori silindril ning ribidel enne nende katsumist jahtuda.
- Eemaldage kogunenud prügi summuti ning silindri piirkonnast.
- California avalike ressursside seaduse (ingl California Public Resource Code) lõike 4442 järgi on motoriseeritud seadme kasutamine mis tahes metsa-, põõsa- või murualadel ja nende lähedal keelatud, kui nimetatud seadme väljalaskesüsteem ei ole varustatud eelnimetatud seaduselõike nõuetele vastava sädemepüüdjaga. Teistes riikides või jurisdiktsioonides võivad kehtida sarnased seadused. Võtke ühendust originaalvaruosade tootja, jaemüüja või edasimüüjaga, et hankida sellele mootorile paigaldatud väljalaskesüsteemile mõeldud sädemepüüdur.



HOIATUS

Juhuslik säde võib põhjustada tulekahju või elektrilöögi.

Tahtmatu käivitus võib põhjustada takerdumise, traumaatilise amputatsiooni või rebendeid.

Tuleoht

Enne reguleerimise või parandustööde teostamist tehke järgmist.

- Ühendage süüteküünla juhe lahti ning hoidke see süüteküünlast eemal.
- Ühendage lahti aku miinusklapp (ainult elektrikäivitiga mootorite puhul).
- Kasutage ainult sobivaid tööriistu.
- Ärge püüdke gaasihoova vedru, ühendusülili või mõne muu detaili manipuleerimisega suurendada mootori pööreid.
- Varuosad peavad olema sama kujuga ja paigaldatud samas asendis kui originaalidetailid. Muud varuosad ei pruugi sama hästi toimida ning võivad kahjustada seadet ja põhjustada vigastusi.
- Ärge lööge hooratust haamri või muu kõva esemega, sest see võib põhjustada hooratta hilisema purunemise töö käigus.

Sädeme kontrollimisel tehke järgmist.

- Kasutage tunnustatud süüteküünla testrit.
- Ärge kontrollige sädet, kui süüteküünal on eemaldatud.

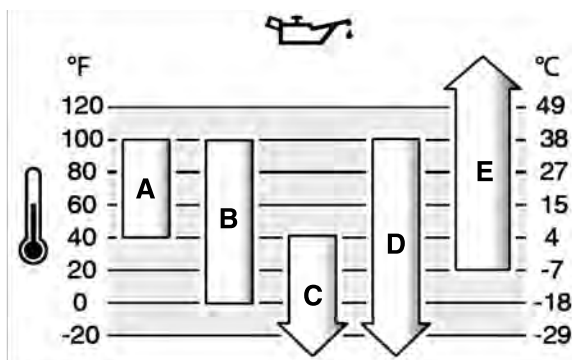
Funktsioonid ja juhtseadised

Mootori juhtseadised

Võrrelge illustatsiooni (joonis: 1, 2, 3) oma mootoriga, et õppida tundma osade ja juhtseadiste paigutust.

- Mootori tuvastusnumbrid **mudel - tüüp - kood**
- Süüteküünal

- C. Õhufilter
- D. Starteri trossi käepide (kui see on olemas)
- E. Mõõtevarras
- F. Õli väljalaskeava
- G. Summuti, summuti kate (kui see on olemas), sädemepüüdja (kui see on olemas)
- H. Õhuvõtuvõre
- I. Õhuvõtuvõre
- J. Õlifilter (kui see on olemas)
- K. Elektriline käiviti (kui see on olemas)
- L. Karburaator
- M. Kütusefilter (kui see on olemas)
- N. Kütusepump (kui see on olemas)
- O. Õli kiire väljalaskmise ava (kui see on olemas)
- P. Elektrooniline juhtplokk (kui on olemas)



A	SAE 30 – 4 °C (40 °F) madalamatel temperatuuridel on SAE 30 õli kasutamisel mootori käivitamine raskendatud.
B	10W-30 – 27 °C (80 °F) temperatuuridel võib 10W-30 õli kasutamine õlitartvet suurendada. Kontrollige õlitaset sagedamini.
C	5W-30
D	Sünteeiline 5W-30
E	Vanguard™ Synthetic 15W-50

Mootori juhtsümbolid ja nende tähendused

Sümbol	Tähendus	Sümbol	Tähendus
	Mootori kiirus – KIIRE		Mootori kiirus – AEGLANE
	Mootori kiirus – SEISKAMINE		SEES – VÄLJAS
	Mootori käivitamine – õhuklapp asendis SULETUD		Mootori käivitamine – õhuklapp asendis AVATUD
	Kütusepaagi kork Kütusekraan – AVATUD		Kütusekraan – SULETUD
	Kütusetase – maksimaalne Ärge täitke üle.		

Kontrollige õlitaset

Vt joonist 4

Enne õli lisamist või kontrollimist

- Veenduge, et mootor oleks rõhtasendis.
- Puhastage õli täiteava ümbrus prahist.

1. Eemaldage õlivarras (A, joonis 4) ja pühkige see puhta lapiga üle.
2. Paigaldage mõõtevarras ja keerake kinni (A, joonis 4).
3. Eemaldage õlivarras ja kontrollige õlitaset. Õige õlitase on mõõtevarda täistase tühise ülaservas (B, joonis 4).
4. Kui õlitase on madal, lisage aeglaselt õli mootoriõli täiteavasse (C, joonis 4). **Ärge üle täitke.** Oodake pärast õli lisamist üks minut ja kontrollige õlitaset uuesti.

Märkus. Kui masinal on õli kiire väljalaskmise ava, ärge lisage õli selle kaudu. Selle asukoha leidmiseks **vt osade ja juhtseadiste teemat.**

5. Pange mõõtevarras tagasi ja keerake kinni (A, joonis 4).

Madala õlitase kaitse süsteem (sõltuvalt varustusest)

Mõnel mootoril on madala õlitase andur. Kui õlitase on madal, siis aktiveerib andur hoiatustule või seiskab mootori. Seisake mootor ja tehke enne selle uut käivitamist allnimetatud toimingud.

- Veenduge, et mootor on tasakaalus.
- Kontrollige õlitaset. Vt teemat **Õlitase kontrollimine.**
- Kui õlitase on madal, siis lisage vajalik kogus õli. Käivitage mootor ja veenduge, et hoiatustuli (kui olemas) ei sütti.
- Kui õlitase ei ole madal, siis ärge mootorit käivitage. Võtke ühendust Briggs & Strattoni volitatud esindusega ja laske õlisüsteemi rike korda teha.

Kütusega seotud soovitus

Kütus peab vastama järgmistele nõuetele:

- puhas, värske, plivaba bensiin.
- Minimaalne oktaanarv 87 / 87 AKI (91 RON). Suurtel kõrgustel kasutamine, vt allpool.
- Lubatud on kasutada kuni 10%-lise etanoolisisaldusega bensiini (bensiooni ja alkoholi segu).

MÄRKUS Ärge kasutage heakskiitmata bensiini, nt E15 ja E85. Ärge lisage õli bensiinile ega modifitseerige mootorit teiste kütustega kasutamiseks. Kasutusloata kütuste tarvitamine tekitab mootoriosade kahjustusi, mida garantiid ei kata.

Vältimaks vaigujaakide ladestumist kütusesüsteemis, lisage kütusele kütusestabiilisaatorit. Vt teemat **Hoiumine.** Kõik kütused ei ole ühesugused. Kui esineb probleeme mootori käivitamise või jõudlusega, siis vahetage kütuse tarnijat või kütuse marki. See mootor on sertifitseeritud kasutamiseks bensiiniga. Mootori heitgaasikoguste kontrollisüsteem on EM (mootori modifikatsioonid).

Kasutamine

Õlisoovitused

Õlimah: Vt jaotist **Spetsifikatsioonid**.

MÄRKUS

Mootor tarnitakse Briggs & Strattoni tehases ilma õlita. Seadme tootjad või edasimüüjad võivad olla mootori õliga täitnud. Kontrollige kindlasti enne mootori esmakordset käivitamist õlitaset ja lisage vajadusel õli vastavalt kasutusjuhendis toodud juhistele. Kui käivitate mootori ilma õlita, saab see püsivaid kahjustusi, mida ei saa remontida ning millele garantiid ei laiene.

Parima jõudluse tagamiseks on soovitatav kasutada Briggs & Strattoni garantiinõuetele vastavat sertifitseeritud õli. Muude kvaliteetsete õlide kasutamine on lubatud, kui need vastavad klassi SF, SG, SH, SJ nõuetele või ületavad neid. Ärge kasutage lisandeid.

Mootoriõli vajaliku viskoossuse määravad välistemperatuurid. Kasutage tabelit, et valida oodatava välistemperatuuri vahemiku jaoks kõige sobivama viskoossusega õli. Enamik õues kasutatavatest masinatest töötavad hästi 5W-30 sünteetilise õliga. Kõrgete temperatuuride korral tagab parima kaitse sünteetiline õli Vanguard™ 15W-50.

Suured kõrgused

Kõrgustel üle 1524 meetri (5000 jalga) on nõutav bensiin oktaanarvuga vähemalt 85/85 AKI (89 RON).

Karburaatoriga mootor tuleb töövoime säilitamiseks suure kõrguse jaoks reguleerida. Reguleerimata kasutus põhjustab madalamat jõudlust, suuremat kütusekulu ja lubatud rohkem heitmeid. Mootori seadistamiseks suurtel kõrgustel töötamiseks võtke ühendust Briggs & Strattoni volitatud edasimüüjaga. Mootori kasutamine kõrgustel alla 762 meetri (2500 jalga) suure kõrguse jaoks mõeldud varustusega ei ole soovitatav.

Elektronilise sissepritsiga mootorit ei ole vaja suure kõrguse jaoks reguleerida.

Kütuse lisamine

Vt joonist 5



HOIATUS

Bensiin ja selle aurud on väga tule- ja plahvatusohtlikud.

Süttimine või plahvatus võib põhjustada raskeid põletushaavu või surma.

Kütuse lisamisel

- Lülitage mootor välja ning laske sellel jahtuda vähemalt 2 minutit enne kütusekorgi eemaldamist.
- Lisage kütust õues või hästi ventileeritud alas.
- Ärge kütusepaaki üle täitke. Jätmaks ruumi kütuse paisumiseks, ärge täitke kõrgemalt kui kütusepaagi kaela alumise osani.
- Hoidke kütus eemal sädemetest, lahtisest leegist, süütleegist, kuumusest ning teistest süütleegistest.
- Kütusetorusid, paaki, korki ning toruliitmikke kontrollige sageli pragude ja lekete suhtes. Vajaduse korral asendage need.
- Kütuse väljaloksumise korral oodake, kuni see on aurustunud, enne kui käivitate mootori.

- Puhastage kütusekorgi ala mustusest ja prügist. Eemaldage kütusepaagi kork.
- Täitke kütusepaak (A, joonis 5) kütusega. Jätmaks ruumi kütuse paisumiseks, ärge täitke kõrgemalt kui kütusepaagi kaela (B) alumise osani.
- Asetage kütusepaagi kork tagasi.

Mootori käivitamine ja seiskamine

Vt joonist: 6

Käivitage mootor



HOIATUS

Starteritrossi järsk tagasitõmme (tagasilöök) tõmbab teie kätt mootori poole kiiremini, kui te starteritrossist lahti suudate lasta.

See võib põhjustada luumurde, muljumishaavu ja nikastusi.

- Mootorit käivitades tõmmake aeglaselt starteri trossi, kuni tunnete vastupanu, seejärel tõmmake kiiresti, et vältida tagasilööki.



HOIATUS

Bensiin ja bensiinaurud on väga tule- ja plahvatusohtlikud.

Süttimine või plahvatus võib põhjustada raskeid põletushaavu või surma.

Mootori käivitamisel

- Veenduge, et süüteküünlal, summuti, kütusepaagi kork ning õhupuhas (kui see on olemas) on paigas ja kinnitatud.
- Ärge käitage mootorit, kui süüteküünlal on eemaldatud.
- Kui mootor on üle ujutatud, siis seadke õhuklapp (kui see on olemas) asendisse AVATUD / TÖÖ, viige seguklapp asendisse KIIRE ning käitage, kuni mootor käivitub.



HOIATUS

OHTLIKULT MÜRGINE GAAS! Mootori heitgaasid sisaldavad süsinikmonooksiidi ehk vingugaasi, mis on mürgine ja võib tappa mõne minutiga. Te EI NÄE seda, ei tunne selle lõhna ega maitset. Isegi kui te ei tunne heitgaaside lõhna, ei pruugi te olla kaitstud vingugaasi eest. Kui tunnete seda toodet kasutades iiveldust, peapööritust või nõrkust, lülitage see välja ja minge KOHE värse õhu kätte. Pöörduge arsti poole. Võimalik, et teil on vingugaasimürgitus.

- Kasutage toodet AINULT välitingimustes ning akendest, udest ja õhutussavadest eemal, et vältida vingugaasi kogunemist ja sattumist siseruumidesse.
- Paigaldage akutoitel töötavad vingugaasialarmid või juhtmega vingugaasialarmid koos varutoite-akuga kooskõlas tootja juhistega. Suitsuandurid ei suuda tuvastada vingugaasi.
- ÄRGE käitage seda seadet majas, garaazis, keldris, madalates käikudes, kuuris või teistes osaliselt suletud ruumides isegi siis, kui kasutate ventilaatorit või avate õhutamiseks ukseid ja aknad. Vingugaas võib kiiresti ruumidesse koguneda ja püsida seal mitmeid tunde isegi pärast masina väljalülitamist.
- Asetage seade ALATI allatuult ja suunake heitgaasid inimestest eemale.

MÄRKUS Mootor on Briggs & Strattoni tehastest tarnitud ilma õlita. Enne mootori käivitamist tuleb lisada õli vastavalt kasutusjuhendis olevatele juhistele. Mootori käivitamine ilma õlita põhjustab sellele pöördumatuid kahjustusi, mida garantii ei kata.

Käivitusüsteemi tuvastamine

Enne mootori käivitamist peate välja selgitama, missugune käivitusüsteem mootoril on. Teie mootoril on üks järgmistest käivitusüsteemidest.

- Süsteem ReadyStart®:** Sellel on temperatuurijuhimisega automaatne õhuklapp. Kütuse eelpump puudub.
- Elektroniline kütusehalduse süsteem:** See koosneb elektronilisest juhtploki, mis jälgib mootori ja välisõhu temperatuuri. Sellel tüübil puuduvad manuaalne õhuklapp ja kütuse eelpump.
- Õhuklapi süsteem:** Süsteemis on õhuklapp jahedal temperatuuril käivitamiseks. Mõnel mudelil on eraldi õhuklapi juhtseadis ja mõnel õhuklapi / seguklapi juhtseadis. Kütuse eelpump puudub.

Mootori käivitamiseks järgige vastava käivitusüsteemi juhiseid.

Märkus. Seadmel võib olla kaugjuhtimispuult. Kaugjuhtimispuldi asukohta ja kasutamist vt seadme kasutusjuhendist.

Süsteem ReadyStart®

- Kontrollige mootoriõli. Vt teemat **Õlitaseme kontrollimine**.
- Veenduge, et juhtseadised (kui need on olemas) on välja lülitatud.
- Keerake kütusekraan (A, joonis 6), kui see on olemas, asendisse AVATUD.
- Viige seguklapi hoob (B, joonis 6), kui see on olemas, asendisse KIIRE. Käitage mootorit asendis KIIRE.

Märkus. Madalal temperatuuril (alla 0 °C) nihutage õhuklapi / seguklapi kombinatsiooni hoob (B, C, joonis 6) asendisse ÕHUKLAPP.

- Süütevõti, kui see on olemas:** Keerake süütevõti (D, joonis 6) asendisse SEES / START.

Start/stopp nupp (kui see on olemas): Vajutage start / stopp nuppu (F, joonis 6).

MÄRKUS Kasutage starteri eluea pikendamiseks lühikesi käivitusütskleid (kõige enam viis sekundit). Oodake enne uut käivitamist minut aega.

Märkus. Kui mootor pärast korduvaid katseid ei käivitu, võtke ühendust oma edasimüüjaga, vaadake **BRIGGSandSTRATTON.com** või helistage **1-800-233-3723** (USAs).

Elektroniline kütusehalduse süsteem

- Kontrollige mootoriõli. Vt teemat **Õlitaseme kontrollimine**.
- Veenduge, et juhtseadised (kui need on olemas) on välja lülitatud.
- Keerake kütusekraan (A, joonis 6), kui see on olemas, asendisse AVATUD.
- Viige seguklapi hoob (B, joonis 6), kui see on olemas, asendisse KIIRE. Käitage mootorit asendis KIIRE.
- Käsistarter, kui see on olemas:** Keerake süütevõti (D, joonis 6) asendisse SEES / START.
- Käsistarter, kui see on olemas:** Haarake kindlalt käiviti trossi käepidemest (E, joonis 6). Tõmmake trossi aeglaselt, kuni tunnete takistust, seejärel tõmmake kiiresti.



HOIATUS

Starteritrossi järsk tagasitõmme (tagasilöök) tõmbab teie kätt mootori poole kiiremini, kui te starteritrossist lahti suudate lasta. See võib põhjustada luumurde, muljumishaavu ja nikastusi. Mootorit käivitades tõmmake aeglaselt starteri trossi, kuni tunnete vastupanu, seejärel tõmmake kiiresti, et vältida tagasilööki.

- Elektrikäivitus, kui see on olemas:** Keerake süütevõti (D, joonis 6) asendisse SEES / START.

MÄRKUS Kasutage starteri eluea pikendamiseks lühikesi käivitustsükleid (kõige enam viis sekundit). Oodake enne uut käivitamist minut aega.

Märkus. Kui mootor pärast korduvaid katseid ei käivitu, võtke ühendust oma edasimüüjaga, vaadake **BRIGGSandSTRATTON.com** või helistage **1-800-233-3723** (USAs).

Õhuklapi süsteem

1. Kontrollige mootoriõli. Vt teemat **Õlitaseme kontrollimine**.
2. Veenduge, et juhtseadised (kui need on olemas) on välja lülitatud.
3. Keerake kütusekraan (A, joonis 6), kui see on olemas, asendisse AVATUD.
4. Viige seguklapi hoob (B, joonis 6), kui see on olemas, asendisse KIIRE. Käitage mootorit asendis KIIRE.
5. Lükake õhuklapi hoob (C, joonis 6) asendisse SULETUD. Õhuklapi / seguklapi kombinatsiooniga (B, C) mudelitel lükake hoob asendisse ÕHUKLAPP.

Märkus. Sooja mootori käivitamisel pole õhuklapi kasutamine tavaliselt vajalik.

6. **Käsistarter, kui see on olemas:** Keerake süütevõti (D, joonis 6) asendisse SEES / START.
7. **Käsistarter, kui see on olemas:** Haarake kindlalt käiviti trossi käepidemest (E, joonis 6). Tõmmake trossi aeglaselt, kuni tunnete takistust, seejärel tõmmake kiiresti.



HOIATUS

Starteritrossi järsk tagasitõmme (tagasilöökk) tõmbab teie kätt mootori poole kiiremini, kui te starteritrossist lahti suudate lasta. See võib põhjustada luumurde, muljumishaavu ja nikastusi. Mootorit käivitades tõmmake aeglaselt starteri trossi, kuni tunnete vastupanu, seejärel tõmmake kiiresti, et vältida tagasilööki.

8. **Elektrikäivitus, kui see on olemas:** Keerake süütevõti (D, joonis 6) asendisse SEES / START.

MÄRKUS Kasutage starteri eluea pikendamiseks lühikesi käivitustsükleid (kõige enam viis sekundit). Oodake enne uut käivitamist minut aega.

9. Kuni mootor soojeneb, pange õhuklapi hoob (C, joonis 6) asendisse AVATUD. Õhuklapi / seguklapi kombinatsiooniga (B, C) mudelitel lükake hoob asendisse KIIRE.

Märkus. Kui mootor pärast korduvaid katseid ei käivitu, võtke ühendust oma edasimüüjaga, vaadake **BRIGGSandSTRATTON.com** või helistage **1-800-233-3723** (USAs).

Seisake mootor



HOIATUS



Bensiin ja bensiiniaurud on väga tule- ja plahvatusohtlikud.

Süttimine või plahvatus võib põhjustada raskeid põletushaavu või surma.

- Ärge sulgege mootori peatamiseks õhuklappi.
1. **Süütevõti, kui see on olemas:** Veenduge, et seguklapi hoob on asendis KIIRE, ja keerake süütevõti (D, joonis 6) asendisse VÄLJAS. Eemaldage võti ja hoidke seda turvalises, lastele kättesaamatus kohas.
Start / stopp nupp (kui see on olemas): Veenduge, et seguklapi hoob on asendis KIIRE, ja vajutage START / STOPP nuppu (F, joonis 6).
 2. Kui mootor on seiskunud, keerake kütusekraan (A, joonis 6), kui see on varustuses, asendisse SULETUD.

Hooldamine

MÄRKUS Kui mootorit tuleb hoolduse käigus kallutada, siis peab mootorile kinnitatud kütusepaak olema tühi ja süüteküünlal üleval. Kui kütusepaak ei ole tühi ja mootor on kallutatud mõnes muus suunas, võib käivitamine olla raskendatud, kuna õli või bensiin on saastanud õhufiltri ja/või süüteküünla.



HOIATUS

Kui seadme hooldamine nõuab selle kallutamist, peab kütusepaak olema tühi, vastasel korral võib kütus välja voolata ja põhjustada tulekahju või plahvatuse.

Soovitame mootori ja mootori osade mis tahes hoolduseks pöörduda Briggs & Strattoni volitatud edasimüüja poole.

MÄRKUS Kõik mootori ehitamisel kasutatud osad peavad jääma korrektse töö tagamiseks oma kohale.



HOIATUS

Juhuslik säde võib põhjustada põlengu või elektrilöögi.

Tahtmatu käivitus võib põhjustada takerdumise, traumaatilise amputatsiooni või rebendeid.

Tuleoht

Enne seadistamist või parandamist:

- Ühendage süüteküünla juhe lahti ning hoidke see süüteküünlast eemal.
- Ühendage lahti aku miinusklenn (ainult elektrikäivitiga mootorite puhul).
- Kasutage ainult õigeid tööriistu.
- Ärge püüdke gaasihoova vedru, ühendusülili või mõne muu detaili kallal nokitsemisega suurendada mootori pööreid.
- Varuosad peavad olema sama kujuga ja paigaldatud samas asendis kui originaaldetailid. Muud varuosad ei pruugi sama hästi toimida ning võivad kahjustada seadet ja põhjustada vigastusi.
- Ärge lööge hooratust haamri või muu kõva esemega, sest see võib põhjustada hooratta hilisema purunemise töö käigus.

Sädeme kontrollimisel:

- Kasutage selleks ettenähtud süüteküünlatestrit.
- Ärge kontrollige sädet, kui süüteküünal on eemaldatud.

Heitgaasikoguste kontrollsüsteemi hooldus

Heitgaasikoguste kontrollseadiste ja süsteemide hooldust, osade vahetust ja remonti võib teha iga töökoda või isik, kes tegeleb maastikusõidu mootorite remontimisega. Heitgaasikoguste kontrollsüsteemi tasuta hoolduse saamiseks tuleb töö lasta teha tootja volitusega esinduses. Vt heitgaasikoguste kontrollsüsteemi teatist.

Hooldusgraafik

Pärast esimest 5 tundi
<ul style="list-style-type: none">• Vahetage õli ³
Iga 8 tunni järel või iga päev
<ul style="list-style-type: none">• Kontrollige mootoriõli taset• Puhastage summuti ja juhtseadiste ümbrus• Puhastage õhuvõtuvõre
Iga 25 töötunni järel või kord aastas
<ul style="list-style-type: none">• Puhastage õhufilter ¹• Puhastage eelpuhasti (kui see on varustuses) ¹
Iga 50 töötunni järel või kord aastas
<ul style="list-style-type: none">• Vahetage mootoriõli ⁴• Asendage õlifilter (kui see on olemas) ⁴• Hooldage heitgaasisüsteemi
Iga 100 töötunni järel või kord aastas
<ul style="list-style-type: none">• Vahetage mootoriõli ⁵• Asendage õlifilter (kui see on olemas) ⁵
Kord aastas
<ul style="list-style-type: none">• Vahetage süüteküünal• Vahetage õhufilter• Asendage eelpuhasti (kui see on olemas)• Asendage kütusefilter (kui see on olemas)• Hooldage kütusesüsteemi• Hooldage jahutussüsteemi ¹• Kontrollige klappivahesid ²

¹ Tolmustes tingimustes või kergesti lenduva prügi korral puhastage sagedamini.

² Ei ole nõutav, kui mootor töötab tõrgeteta.

³ Ainult ilma õlifiltri mootoritel.

⁴ Ilma õlifiltrita või standardse musta õlifiltriga mootor (varuosa koodi leiata **tehniliste andmete** leheküljelt).

⁵ Suure tõhususega kollase või oranži õlifiltriga mootorid (varuosa koodi leiata **tehniliste andmete** leheküljelt).



HOIATUS

Varuosad peavad olema sama kujuga ja paigaldatud samas asendis kui originaaldetailid. Muud varuosad ei pruugi sama hästi toimida ning võivad kahjustada seadet ja põhjustada vigastusi.

Kütuse elektrooniline juhtsüsteem

Kütuse elektrooniline juhtsüsteem jälgib mootori temperatuuri, mootori pöörlemissagedust ja aku pinget ning seab enne mootori käivitamist ja soojendamist vastavalt sellele õhuklapi asendit. Süsteemi ei saa reguleerida. Kui mootori käivitamisel või töötamisel tekib probleeme, pöörduge Briggs & Strattoni volitatud esindusse.

MÄRKUS Et vältida kütuse elektroonilise juhtsüsteemi kahjustusi, tuleb kinni pidada järgmistest nõuetest.

- Kui aku kaablid on lahti, ei tohi mootorit mingil juhul käivitada.
- Enne aku lahutamist, eemaldamist või paigaldamist tuleb keerata süütevõti seiskamisasendis.
- Mootorit ei tohi mingil juhul käivitada akulaadijaga.
- Mootori töötamise ajal ei tohi aku kaableid lahutada.
- Aku kaablite ühendamisel tuleb akuga esimesena ühendada plusskaabel (+), seejärel miinuskaabel (-).
- Keerake süütelüliti aku laadimise ajaks seiskamisasendisse ja lahutage aku küljest miinuskaabel (-).
- Ärge pihustage vett otse elektroonilisele juhtploki.

Karburaator ja mootori pöörded

Ärge reguleerige karburaatorit või mootori pöörlemissagedust. Karburaator on tehases häälestatud efektiivseks tööks enamikus kasutustingimustes. Ärge püüdke gaasihoova vedru, ühenduslüli või mõne muu detaili kallal nokitsemisega muuta mootori pöörded. Kui on vaja midagi reguleerida, siis laske seda teha Briggs & Strattoni volitatud teeninduses.

MÄRKUS Seadme tootja on määranud seadmele paigaldatud mootori suurima lubatud kiiruse. **Ärge ületage** seda kiirust. Kui te ei tea seadme max lubatud kiirust või seda, millisele kiirusele on mootor tehases reguleeritud, siis pöörduge abi saamiseks Briggs & Strattoni volitatud teenindusse. Seadme ohutu ja nõuetekohase töö tagamiseks tohib mootori kiirust reguleerida ainult vastava kvalifikatsiooniga hooldustehnik.

Süüteküünla hooldus

Vt joonist 7

Kontrollige sädevahemikku (A, joonis 7) vastava mõõdikuga (B). Vajadusel reguleerige vahemikku Paigaldage süüteküünal ja pingutage nõutud jõumomendini Sädevahemiku ja jõumomendi kohta saate teavet peatükist **Tehnilised andmed**.

Märkus. *Mõningates piirkondades nõutakse süüteimpulssi summutava takistiga süüteküünla kasutamist Kui teie mootor oli algselt varustatud takistiga süüteküünlaga, kasutage samast süüteküünalt ka edaspidi.

Heitgaasisüsteemi hooldus



HOIATUS

Mootori töötamine tekitab soojust. Mootori osad, eriti summuti, muutuvad eriti kuumaks.

Nende puudutamine võib kaasa tuua raskeid põletushaavu.

Põlevad jäägid, näiteks puulehed, rohulibled, kõrred jms võivad süttida.

- Laske summutil, mootori silindril ning ribidel enne nende katsumist jahtuda.
- Eemaldage kogunenud prügi summuti ning mootorisilindri piirkonnast.
- California avalike ressursside koodeksi lõike 4442 järgi on motoriseeritud seadme kasutamine mis tahes metsa-, põõsa- või murualadel ja nende lähedal keelatud, kui nimetatud seadme väljalaskesüsteem ei ole varustatud lõikes 4442 määratletud sädemepüüdjaga. Teistes riikides või jurisdiktsioonides võivad kehtida sarnased seadused. Võtke ühendust originaalvaruosade tootja, jaemüüja või edasimüüjaga, et hankida sellele mootorile paigaldatud väljalaskesüsteemile mõeldud sädemepüüdur.

Eemaldage kogunenud prügi summuti ning mootorisilindri piirkonnast. Kontrollige summutit pragude, rooste või muude kahjustuste suhtes Eemaldage sädemepüüdur (kui olemas) ja veenduge, et ei esine kahjustusi ega tahmasadestisi Kahjustuste avastamisel paigaldage enne kasutamist varuosad.

Vahetage mootoriõli

Vt joonist 8, 9, 10, 11

Kasutatud õli on ohtlik jääkprodukt, mis tuleb nõuetekohaselt kõrvaldada. Ärge visake seda ära koos olmejäätmetega. Kasutatud õli kõrvaldamise ja/või töötlemise kohta saate teavet kohalikust omavalitsusest, teenindusest või edasimüüjalt.

Õlist tühjendamine

1. Kui mootor on välja lülitatud, ent ikka veel soe, siis lahutage süüteküünla juhe (D, joonis 8) ja hoidke see süüteküünlast (E) eemal.
2. Eemaldage mõõtevarras (A, joonis 9).

Õli väljalaskekork (kui on olemas)

1. Eemaldage õli väljalaskekork (F, joonis 10). Laske õli sobivasse mahutisse.

Märkus. Mootorile saab paigaldada ükskõik millise joonisel näidatud korkidest (G, joonis 10).

2. Kui õli on välja voolanud, pange väljalaskekork (F, joonis 10) tagasi ja keerake kinni.

Õli kiire väljalaskmise ava (kui on olemas)

1. Eemaldage õli kiire väljalaskmise voolik (H, joonis 11) mootori küljelt.
2. Keerake õli tühjenduskork lahti ja eemaldage (I, joonis 11). Langetage õli kiire väljalaskmise voolik (H) ettevaatlikult sobivasse mahutisse (J).
3. Kui õli on välja voolanud, keerake õli kiire väljalaskmise kork (I, joonis 11) peale. Kinnitage õli kiire väljalaskmise voolik (H) mootori küljele.

Vahetage õlifilter, kui see on varustuses

Mõned mudelid on varustatud õlifiltriga. Vahetusintervallide kohta vt **hoolduskava**.

1. Laske õli mootorist välja. Vt lõiku **Õli väljalaskmine**.
2. Eemaldage õlifilter (K, joonis 9) ja kõrvaldage see nõuetekohaselt.
3. Niisutage enne uue õlifiltri paigaldamist õlifiltri tihendit kergelt uue puhta õliga.
4. Paigaldage õlifilter käsitsi, kuni tihend puudutab õlifiltri adapterit, seejärel pingutage õlifiltrit veel 1/2 kuni 3/4 pöörde võrra.
5. Õli lisamine. Vt jaotist **Õli lisamine**.
6. Käivitage mootor ja laske sel töötada. Mootori soojenedes veenduge, et sellest ei leki õli.
7. Seisake mootor ja kontrollige õlitaset. Õige õlitase on mõõtevarda täistase tähise ülaservas (B, joonis 9).

Lisage õli

- Veenduge, et mootor oleks rõhtasendis.
- Puhastage õli täiteava ümbrus prahist.
- Vt õlikoguse määramiseks jaotist **Tehnilised andmed**.

1. Eemaldage õlivarras (A, joonis 9) ja pühkige see puhta lapiga üle.
2. Valage aeglaselt õli mootoriõli täiteavas (C, joonis 9). **Ärge üle täitke.** Oodake pärast õli lisamist üks minut ja kontrollige siis õlitaset.

Märkus. Kui masinal on õli kiire väljalaskmise ava (H, joonis 11), ärge lisage õli selle kaudu.

3. Paigaldage mõõtevarras ja keerake kinni (A, joonis 9).
4. Eemaldage õlivarras ja kontrollige õlitaset. Õige õlitase on mõõtevarda täistase tähise ülaservas (B, joonis 9).
5. Pange mõõtevarras tagasi ja keerake kinni (A, joonis 9).
6. Ühendage süüteküünla juhe (D, joonis 8) süüteküünlaga (E).

Hooldage õhufiltrit

Vt joonist 12, 13



HOIATUS

Bensiin ja selle aurud on väga tule- ja plahvatusohtlikud.

Süttimine või plahvatus võib põhjustada raskeid põletushaavu või surma.

- Ärge käivitage ega käitage mootorit, kui õhupuhaasti koost (kui on varustuses) või õhufilter (kui on varustuses) on eemaldatud.

MÄRKUS Ärge kasutage filtri puhastamiseks suruõhku ega lahusteid. Suruõhk võib filtrit kahjustada ja lahustid lagundavad seda.

Hooldusjuhised on esitatud **hooldusgraafikus**.

Mitmes mudelis on kasutusel kas vaht- või paberfilter. Mõned mudelid on varustatud ka eelpuhastiga, mida on võimalik pesta ja uuesti kasutada. Võrrelege kasutusjuhendi jooniseid oma mootorile paigaldatud tüübiga ja hooldage sellele vastavalt.

Õhufilter, paber

1. Tõmmake katte käepide üles (A, joonis 12). Pöörake katte käepidet mootori poole ja eemaldage siis kate (B).
2. Eemaldage eelpuhasti (C, joonis 12), kui see on olemas, ja filter (D).
3. Mustuse eemaldamiseks koputage filtrit (D, joonis 12) kergelt kõva pinna vastu. Kui filter on väga määrdunud, vahetage see välja.
4. Peske eelpuhastit (C, joonis 12) puhastusvedeliku ja veega. Laske eelpuhastil (C) õhu käes korralikult kuivada. **Ärge** õlitage eelpuhastit.
5. Paigaldage kuiv eelpuhasti (C, joonis 12) ja filter (D) mootori alusele (E).
6. Joondage katte (B) sakid (F, joonis 12) puhuri korpuse piludega (G).
7. Keerake katte käepide (A, joonis 12) tagasi ja lükake see lukustamiseks alla.

Õhufilter, paber

1. Vabastage sulgur(id) (A, joonis 13).
2. Eemaldage kate (B, joonis 13).
3. Filtri (C, joonis 13) eemaldamiseks tõstke filtri ots üles ja tõmmake siis filter õhu sissevõtuavast (D).
4. Mustuse eemaldamiseks koputage filtrit (C, joonis 13) kergelt vastu kõva pinda. Kui filter on väga määrdunud, vahetage see välja.
5. Eemaldage eelpuhasti (E, joonis 13), kui see on olemas, filtri (C) küljest.
6. Peske eelpuhastit (E, joonis 13), kui see on varustuses, vedela pesuvahendi ja veega. Laske eelpuhastil õhu käes korralikult kuivada. **Ärge** õlitage eelpuhastit.
7. Paigaldage kuiv eelpuhasti (E, joonis 13, kui see on olemas) filtrile (C).
8. Paigaldage filter (C, joonis 13) õhu sissevõtuavasse (D). Suruge filtri ots alla, mootori alusesse. Veenduge, et filter oleks mootori alusel kindlalt kinni.
9. Paigaldage õhufiltri kate (B, joonis 13) ja kinnitage sulguri(te)ga (A).

Kütusesüsteemi hooldus

Vt joonist: 14, 15



HOIATUS

Bensiin ja bensiiniaurud on väga tule- ja plahvatusohtlikud.

Süttimine või plahvatus võib põhjustada raskeid põletushaavu või surma.

- Hoidke kütus eemal sädemetest, lahtisest leegist, süüteleegist, kuumusest ning teistest süüteallikatest.
- Kütusetorusid, paaki, korki ning toruliitmikke kontrollige sageli pragude ja lekete suhtes. Vajaduse korral asendage need.
- Enne kütusefiltri puhastamist või väljavahetamist tühjendage kütusepaak või sulgege kütuse sulgeklaapp.
- Kütuse väljaloksumise korral oodake, kuni see on aurustunud, enne kui käivitate mootori.
- Varuosad peavad olema samasugused ja need tuleb paigaldada samasse asendisse kui originaalosaad.

Kütusefilter, kui on varustatud

1. Enne kütusefiltri (A, joonis 14) puhastamist või väljavahetamist tühjendage kütusepaak või sulgege kütuse sulgeklaapp. Vastasel juhul võib kütus lekkida ja põhjustada tulekahju või plahvatus.

2. Kasutage klambrite (C) sakkide (B, joonis 14) kokkusurumiseks näpitsaid; seejärel libistage klambrid kütusefiltrist (A) eemale Keerake ja tõmmake kütusevoolikud (D) kütusefiltrist eemale.
3. Kontrollige kütusevoolikuid (D, joonis 14) pragude ja lekete suhtes. Vajaduse korral asendage defektsed osad.
4. Kasutage kütusefiltri (A, joonis 14) vahetusfiltrina originaalfiltrit.
5. Kinnitage kütusevoolikud (D, joonis 14) klambritega (C), nagu on joonisel näidatud.

Kütusesõel, kui on olemas

1. Eemaldage kütusekork (A, joonis 15).
2. Eemaldage kütusesõel (B, joonis 15).
3. Kui kütusesõel on määrdunud, siis puhastage see või vahetage välja. Kütusesõela vahetades kasutage kindlasti originaalvaruosa.

Jahutussüsteemi hooldus



HOIATUS

Mootori töötamine tekitab soojust. Mootori osad, eriti summuti, muutuvad eriti kuumaks.

Nende puudutamine võib kaasa tuua raskeid põletushaavu.

Põlevad jäägid, näiteks puulehed, rohulibled, kõrred jms võivad süttida.

- Laske summutil, mootori silindril ning ribidel enne nende katsumist jahtuda.
- Eemaldage kogunenud prügi summuti ning mootorisilindri piirkonnast.

MÄRKUS Ärge kasutage mootori puhastamiseks vett Vesi võib kahjustada kütusesüsteemi Kasutage mootori puhastamiseks harja või puhast riidetükki.

See mootor on õhkjahutusega Mustus või praht võib õhuvoolu takistada ja mootor võib üle kuumeneda, mis omakorda tingib jõudluse vähenemist ja mootori eluea lühenemist.

1. Eemaldage mustus õhuvõtuvõre piirkonnast harja või kuiva lapiga.
2. Hoidke ühendused, vedrud ja juhtseadised puhtana
3. Hoidke summuti ümbrus ja tagune puhas kergestisüttivaist jäätmeist.
4. Veenduge, et õli jahuti labad on tolmust ja mustusest vabad.

Aja jooksul võib prügi kuhjuda silindri jahutusribide vahele ja põhjustada mootori ülekuumenemist Seda prügi ei saa eemaldada ilma mootori osalise lahtivõtmiseta Laske Briggs & Strattoni volitatud edasimüüjal kontrollida ja puhastada õhkjahutussüsteemi, nagu on kirjas **Hoolduskavas**.

Hoiustamine



HOIATUS

Kütus ja selle aurud on äärmiselt kergestisüttivad ning plahvatusohtlikud.

Tulekahju või plahvatus võivad põhjustada raskeid põletusi või surma.

Kütuse või paagis oleva kütusega seadmete hoiustamisel

- Paigutage need eemale ahjudest, pliitidest, veesoojenditest või teistest seadmetest, millel on pilootleek või teised süüteallikad, sest need võivad kütuseaurusid süüdata.

Kütusesüsteem

Vt joonist 16

Hoiustamisel peab mootor jääma rõhtselt (tavaline tööasend). Täitke kütusepaak (A, joonis 16) kütusega. Kütuse paisumise lubamiseks, ärge täitke kütusepaagi kaela alumisest servast kõrgemale (B).

Kütus võib aeguda, kui seda säilitatakse üle 30 päeva. Aegunud kütus põhjustab happe- ja vaigujääkide ladestumist kütusesüsteemi või oluliste karburaatori osadele. Kütuse värskena hoidmiseks kasutage **Briggs & Strattoni täiustatud koostisega kütusestabilisaatorit**, mis on saadaval kõikjal, kus müüakse ehtsaid Briggs & Strattoni varuosi.

Kasutades kütusestabilisaatorit vastavalt juhistele, puudub vajadus mootori bensiinist tühjendamiseks. Enne hoiustamist laske mootoril kaks (2) minutit töötada, et stabilisaator kütusesüsteemis ringlema pääseks.

Kui mootoris olevale bensiinile pole kütusestabilisaatorit lisatud, tuleb kütus masinast sobivasse mahutisse välja valada. Laske mootoril töötada, kuni see kütuse lõppemisel seiskub. Värskuse tagamiseks on soovitatav kasutada kütusestabilisaatorit säilitusmahutis.

Mootoriõli

Vahetage mootoriõli siis, kui mootor on veel soe. Vt teemat **Mootoriõli vahetus**.

Tõrgete kõrvaldamine

Abi saamiseks võtke ühendust oma edasimüüjaga, vaadake **BRIGGSandSTRATTON.com** või helistage **1-800-233-3723** (USAs).

Tehnilised andmed

Mudel: 210000	
Töömaht	21.01 ci (344 cc)
Õõs	3.437 in (87,30 mm)
Käigu pikkus	2.264 in (57,51 mm)
Õli täitemaht (ilma filtrita)	42 - 44 oz (1,24 - 1,30 L)
Õli täitemaht (filtriga)	46 - 48 oz (1,36 - 1,40 L)
Süüteküünla elektrodide vahe	0.030 in (0,76 mm)
Süüteküünla jõumoment	180 lb-in (20 Nm)
Süütemagneeto õhupilu	0.010 - 0.014 in (0,25 - 0,36 mm)
Sisselaskeklapi vahe	0.003 - 0.005 in (0,08 - 0,13 mm)
Väljalaskeklapi vahe	0.005 - 0.007 in (0,13 - 0,18 mm)

Mudel: 310000	
Töömaht	30.59 ci (501 cc)
Õõs	3.563 in (90,49 mm)
Käigu pikkus	3.062 in (77,77 mm)
Õli täitemaht (ilma filtrita)	42 - 44 oz (1,24 - 1,30 L)
Õli täitemaht (filtriga)	46 - 48 oz (1,36 - 1,40 L)
Süüteküünla elektrodide vahe	0.030 in (0,76 mm)
Süüteküünla jõumoment	180 lb-in (20 Nm)
Süütemagneeto õhupilu	0.010 - 0.014 in (0,25 - 0,36 mm)
Sisselaskeklapi vahe	0.003 - 0.005 in (0,08 - 0,13 mm)
Väljalaskeklapi vahe	0.005 - 0.007 in (0,13 - 0,18 mm)

Mootori võimsus väheneb 3,5% iga 300 meetri kohta üle merepinna ja 1% iga 5,6 °C kohta, mis on üle 25 °C. Mootor töötab rahuldavalt nurga all kuni 15°. Kallakutel töötamise ohutute kasutuspiiride leidmiseks vt seadme kasutusjuhendit.

Varuosad - mudel 210000	
Varuosa	Varuosa number
Õhufilter, paber (vt jn 13)	796032
Õhufiltri eelpuhasti, vaht (vt joonist 13)	798911
Õhufilter, paber (vt jn 12)	698413, 5079
Õhufiltri eelpuhasti, vaht (vt joonist 12)	697292, 5079
Õli - SAE 30 (0,6 l)	100005
Õli - SAE 30 (1,4 l)	100028
Õlifilter	492932
Advanced Formula kütusestabilisaator	100117, 100120
Kütusefilter - ilma kütusepumbata mootor	394358, 5098
Kütusefilter - kütusepumbaga mootor	691035, 5065
Takistiga süüteküünal	491055
Pika kasutuseaga plaatina-süüteküünal	5066
Süüteküünla võti	89838, 5023
Süütetester	19368

Varuosad - mudel 310000	
Varuosa	Varuosa number
Õhufilter, paber (vt jn 13)	796031

Varuosad - mudel 310000

Õhufiltri eelpuhasti, vaht (vt joonist 13)	797704
Õhufilter, paber (vt jn 12)	698083, 5077
Õhufiltri eelpuhasti, vaht (vt joonist 12)	697015, 5077
Lame õhufilter, pestav	697153, 5078
Õli - SAE 30 (0,6 l)	100005
Õli - SAE 30 (1,4 l)	100028
Õlifilter, standardne - must	492932
Õlifilter, suure tõhususega - kollane	795890
Õlifilter, suure tõhususega - oranž	798576
Advanced Formula kütusestabilisaator	100117, 100120
Kütusefilter - ilma kütusepumbata mootor	394358, 5098
Kütusefilter - kütusepumbaga mootor	691035, 6065
Takistiga süüteküünal	491055
Pika kasutuseaga plaatina-süüteküünal	5066
Süüteküünla võti	89838, 5023
Süütetester	19368

Soovitame mootori ja selle osade mis tahes hoolduseks pöörduda Briggs & Strattoni volitatud edasimüüja poole.

Võimsusklassid: Individuaalsete bensiinimootorite koguvõimsuse klass on tähistatud SAE (Society of Automotive Engineers) standardi J1940 (väikemootorite võimsuse ja pöörlemomendi hindamise protseduur) ja määratud SAE standardi J1995 alusel. Pöörlemomendiväärtused on tuletatud 2600 p/min juures nende mootorite puhul, mille sildil on „rpm” ja 3060 p/min kõigi teiste puhul, väärtused hobujõududes on tuletatud 3600 p/min juures. Võimsuskoverad võite leida veebilehelt www.BRIGGSandSTRATTON.COM. Tegelikku netovõimsust on mõõdetud koos väljalasketoru ja õhupuhasliga, brutovõimsust aga mõõdetakse ilma nende seadisteta. Mootori tegelik koguvõimsus on suurem kui netovõimsus ja sõltub muu hulgas keskkonnaningimustest ning mootorite individuaalsetest erinevustest. Arvestades laia tooteskaalat, milles mootoreid kasutatakse, ei pruugi gaasimootor saavutada märgitud brutovõimsust konkreetses seadmes. See erinevus tuleneb mitmest tegurist, k.a. mitmesugused mootori osad (õhupuhas, väljalaskesüsteem, laadimine, jahutus, karburaator, kütusepump jne), kasutuspiirangud, keskkonnaningimused (temperatuur, niiskus, kõrgus) ning mootorite individuaalsed erinevused. Tootmis- ja mahupiirangute tõttu võib Briggs & Stratton asendada kõrgema nimivõimsusega mootori selle seeria mootoriga.

Garantii

Briggs & Strattoni mootori garantii

Jõustub jaanuaris 2017

Piiratud garantii

Briggs & Stratton garanteerib allpool määratud garantiiperioodi jooksul mis tahes osa, millel on materjali- või tootmisdefekt või mõlemad, tasuta paranduse või asenduse. Parandamiseks või asendamiseks saadetud toote transpordikulud tasub ostja. Käesolev garantii kehtib allpool nimetatud ajaperioodil ja tingimustel. Garantiiteeninduse saamiseks leidke lähim volitatud hooldustöökoda, kasutades meie edasimüüjate kaarti aadressil BRIGGSandSTRATTON.COM. Ostja peab võtma ühendust volitatud hooldustöökodaga ja andma seejärel toote volitatud hooldustöökodale selle kontrollimiseks ja testimiseks.

Käesolev garantii on ainus selgesõnaline garantii. Kaudsed garantiid, kaasa arvatud need, mis puudutavad turustatavust ja konkreetseks otstarbeks sobivust, kehtivad allpool nimetatud garantiiperioodi jooksul või seadusega lubatud ulatuses. Vastutus ettenägematute või kaudsete kahjude eest on välistatud seadusega lubatud ulatuses. Mõned riigid või osariigid ei luba piiranguid kaudse garantii kehtivusajale ning mõned riigid või osariigid ei luba juhuslike või kaudsete kahjude välistamist või piiramist, mistõttu ei pruugi eespool nimetatud piirang või välistamine teile kehtida. See garantii annab teile konkreetsed juriidilised õigused ja teil võib olla ka muid õigusi olenevalt osariigist või riigist.

Standardised garantiitingimused 1, 2, 3

Kaubamärgi/toote nimi	Erakasutus	Kommetkasutus
Vanguard™; Commercial Series	36 kuud	36 kuud
Mootorid, millel on Dura-Bore™ malmist muhv	24 kuud	12 kuud
Kõik muud mootorid	24 kuud	3 kuud

¹Need on meie üldised garantiitingimused, kuid vahel võivad lisanduda täiendavad garantiid, mis ei olnud juhendi ilmumise ajal määratud. Oma mootori

garantiitingimused leiate veebisaidilt BRIGGSandSTRATTON.com. Teise võimalusena pöörduge kohaliku Briggs & Strattoni volitatud hooldustöökoja poole.

² Garantii ei kehti mootoritele, mida kasutatakse primaarenergia saamiseks kasutuskohas või äriotstarbeks mõeldud turvageneraatorites. Võistlustel, tööstuslikel või renditud võistlusradadel kasutatavatele mootoritele garantii puudub.

³ Turvageneraatoritele paigaldatud Vanguard : tavatarbija kasutuses 24 kuud, ärikasutuses garantiid ei ole. Tarbesõidukitele paigaldatud Vanguard: tavatarbija kasutuses 24 kuud, ärikasutuses 24 kuud. Commercial Series, mis toodeti enne 2017 juulit, tavatarbija kasutuses 24 kuud, ärikasutuses 24 kuud.

⁴ Austraalias – meie toodetel on garantiid, mida ei saa Austraalia tarbijaõiguse kohaselt välistada. Teil on õigus asendusele või raha tagasimaksule suure rikke korral ning kompensatsioonile mis tahes muude mõistlikult prognoositavate kadude või kahjude korral. Samuti on teil õigus toodete parandamisele või asendamisele, kui toodete kvaliteet ei ole vastuvõetaval tasemel ja rike ei ole suur.

Garantiihoolduseks pöörduge lähima volitatud hooldustöökoja poole, kasutades meie edasimüüjate asukoha leidmise kaarti aadressil BRIGGSandSTRATTON.com või helistades numbril 1300 274 447 või saates e-kirja aadressil salesenquiries@briggsandstratton.com.au, Briggs & Stratton Australia Pty Ltd, 1 Moorebank Avenue, Moorebank, NSW, Austraalia, 2170.

Garantiiperiood algab esimese jaetarbija või kommertskasutaja ostu sooritamise kuupäevast. „Tarbijakasutus“ tähendab isiklikku kasutamist kodumajapidamises jaetarbija poolt. „Ärieesmärgil kasutamine“ tähendab kõiki teisi kasutusi, kaasa arvatud ärilisel, tulu saamise või rentimise eesmärgil kasutamist. Kui mootorit on kasutatud mõnel perioodil kommertseesmärkidel, siis loetakse seda mootorit selle garantii mõttes ärikasutuses olevaks mootoriks.

Hoidke ostmist tõendav tšekk alles. Kui teil puudub esmase ostmise kuupäeva tõendav dokument, siis lähtutakse garantiiteenindusel garantiiperioodi pikkuse määramisel toote valmistamiskuupäevast. Briggs & Strattoni toodetele garantiiteeninduse tagamiseks ei ole garantii registreerimine vajalik.

Teie garantiist

See garantii katab üksnes neid mootoriga seotud vigu, mille põhjuseks on kasutatud materjalid ja/või ebaõige töö, ning ei hõlma selle seadme asendamist ega hüvitamist, millesse mootor paigaldati. Garantii ei hõlma tavapärast hooldust, häälestamist, reguleerimist ja mootori harilikku kulumist. Samuti ei kehti garantii juhul, kui mootorit on ümber tehtud või kui selle seerianumber on loetamatuks muutunud või eemaldatud. Käesolev garantii ei kehti mootori kahjustuste ja tööhäirete suhtes, mis tulenevad:

1. varuosade kasutamisest, mis ei ole originaalsed Briggs & Strattoni varuosad;
2. mootori kasutamisest õliga, mida on lisatud ebapiisavas koguses või mis on mustunud või vale kvaliteediklassiga;
3. saastunud või vana kütuse kasutamisest, bensiini kasutamisest, mis sisaldab üle 10% etanooli, või muude kütuste kasutamisest, nt vedelgaas või maagaas, mootoritel, mis pole Briggs & Strattoni poolt konstrueeritud/toodetud tööks selliste kütustega;
4. mustusest, mis on mootoris sattunud õhupuhasi ebaõige hoolduse või mootori uuesti kokkupaneku tõttu;
5. muruniiduki löiketeraga objekti tabamisest, terakohandajate, tiivikute või teiste väntvõllile ühendatud seadiste ebaõigest paigaldusest, kiilrihma liigsest pingsusest;
6. muude kui Briggs & Strattoni pakutavate abiosade või sõlmede, nt sidurite, jõuülekannete, seadmekontrollerite jne kasutamisest;
7. ülekuumenemisest niidetud muru, mustuse, kiviprügi või näriliste pesade sattumise tõttu jahutusribidesse või hooratta alasse või mootori kasutamisest piisava ventilatsioonita;
8. ülemäärases vibratsioonist, mis on tingitud liigsest kiirusest, mootori lahtisest paigaldusest, lahtisest või tasakaalustamata löiketeradest või tiivikutest või seadmeosade ebaõigest ühendamist väntvõllile;
9. väärkasutusest, regulaarse hoolduse puudumisest, tarnimisest, käsitemisest, seadmete ladustamisest või mootori ebaõigest paigaldamisest.

Garantiihooldust teostavad ainult ettevõtte Briggs & Stratton volitatud hooldustöökojad. Leidke lähim volitatud hooldustöökoda meie edasimüüjate kaardilt aadressil BRIGGSandSTRATTON.COM või helistades numbrile 1 800 223 3723 (USA).

80004537 (Red. C)

Ovaj priručnik sadrži sigurnosne obavijesti koje vas moraju učiniti svjesnima opasnosti vezanih uz motore i uz načine izbjegavanja tih opasnosti. Ovdje se također nalaze upute o tome kako na pravilan način koristiti i održavati motor. Budući da Briggs & Stratton ne mora znati koji stroj će se pogoniti ovim motorom, važno je da pročitate i shvatite ove upute i upute koje se odnose na stroj koji će biti pogonjen ovim motorom. **Spremite originalne upute radi budućih potreba.**

Napomena: Slike, ilustracije i piktogrami u ovom priručniku služe samo kao referenca i mogu se razlikovati na pojedinim modelima. Ako imate pitanja, obratite se predstavniku.

Radi zamjenskih dijelova ili tehničke pomoći, zapišite dolje model motora, vrstu i kodne brojeve zajedno s datumom kupnje. Ovi brojevi se nalaze na vašem motoru (pogledajte poglavlje **Funkcije i upravljanje**).

Datum kupnje	
Model - Vrsta - Podešavanje	
Serijski broj motora	

Potražite 2D crtični kod koji se nalazi na nekim motorima. Kada se pregledava s uređajem koji može očitavati 2D kodove, na kodu će se vidjeti mrežna stranica na kojoj možete pristupiti podacima o ovom proizvodu. Promet podataka se naplaćuje. Za neke zemlje nisu dostupni podaci za podršku na mreži.



Informacije o recikliranju



Sva ambalaža, iskorišteno ulje i baterije trebaju se reciklirati u skladu s odgovarajućim propisima nadležnih vlasti.

Sigurnost rukovatelja

Simbol sigurnosnog upozorenja i signalne riječi

Sigurnosni simbol upozorenja upotrebljava se za utvrđivanje sigurnosnih informacija o opasnostima koje mogu prouzročiti ozljede osoba. Signalna riječ (OPASNOST, UPOZORENJE ili OPREZ) upotrebljava se sa simbolom upozorenja da označi vjerojatnost i moguću težinu ozljede. Osim toga, simbol opasnosti može se upotrijebiti da označi vrstu opasnosti.

OPASNOST označava opasnost koja će, u slučaju da se ne izbjegne, **izazvati smrt ili tešku ozljedu**.

UPOZORENJE označava opasnost koja može, u slučaju da se ne izbjegne, **izazvati smrt ili tešku ozljedu**.

OPREZ označava opasnost koja može, u slučaju da se ne izbjegne, **izazvati laku ili srednje tešku ozljedu**.

NAPOMENA označava situaciju koja **može izazvati oštećenje proizvoda**.

Simboli opasnosti sa značenjem

Simbol	Značenje	Simbol	Značenje
	Sigurnosni podaci o opasnostima koja mogu dovesti do tjelesne ozljede.		Pročitajte i proučite priručnik za rukovanje prije upotrebe ili servisiranja uređaja.

Simbol	Značenje	Simbol	Značenje
	Opasnost od požara		Opasnost od eksplozije
	Opasnost od udara		Opasnost od otrovnog dima
	Opasnost od vruće površine		Opasnost od buke - pri dužem radu preporučuje se upotreba zaštite sluha.
	Opasnost od odbacivanja predmeta - nosite zaštitu za oči.		Opasnost od eksplozije
	Opasnost od smrzotina		Opasnost od povratnog udarca
	Opasnost od amputacije - pokretni dijelovi		Opasnost od kemijskih sredstava
	Opasnost od ozljeda djelovanjem topline		Korozivno

Sigurnosne poruke

UPOZORENJE

Neki dijelovi ovog proizvoda i pripadajuće dodatne opreme sadrže kemikalije poznate u državi Kaliforniji kao uzrok karcinoma, urođenih mana i drugih oštećenja reproduktivnih organa. Nakon rukovanja operite ruke.

UPOZORENJE

Ispušna cijev motora na ovom stroju sadrži kemikalije poznate u državi Kaliforniji kao uzrok karcinoma, urođenih mana i drugih oštećenja reproduktivnih organa.

UPOZORENJE

Motorni tvrtke Briggs & Stratton nisu namijenjeni za i ne smiju se koristiti kao pogon kod: fun-kart i go-kart karting vozila; dječjih, rekreacijskih ili sportskih ATV vozila; motorbicikla; lebdjelica; zrakoplova ili vozila koja se koriste u natjecanjima za koja tvrtka Briggs & Stratton nije dala odobrenje. Više pojedinosti o proizvodima za natjecateljsku vožnju potražite na www.briggsracing.com. U vezi upotrebe na pomoćnim i paralelnim ATV vozilima kontaktirajte Centar za primjenu motora tvrtke Briggs & Stratton na broj 1-866-927-3349. Neprimjerna upotreba motora može uzrokovati ozbiljne ozljede ili smrt.

UPOZORENJE
Gorivo i njegove pare izuzetno su zapaljivi i eksplozivni.

Požar ili eksplozija mogu izazvati teške opekline ili smrt.

Prilikom nadolijevanja goriva

- Isključite motor i pustite da se ohladi barem 2 minuta prije skidanja čepa spremnika za gorivo.
- Spremnik za gorivo napunite na otvorenom ili u dobro prozračenom prostoru.
- Nemojte prenapuniti spremnik. Kako bi se omogućila ekspanzija goriva ne puniti spremnik iznad donjeg dijela vrha spremnika za gorivo.
- Gorivo držite podalje od iskri, otvorenog plamena, inicijalizacijskih plamičaka, topline ili drugih izvora zapaljenja.

- Često provjeravajte cijevi za gorivo, spremnik i čep spremnika za goriva i njihove dijelove te utvrdite postoje li napukline ili curenje. Zamijenite ih ako je potrebno.
- Ako se gorivo prolje, pričekajte dok ne ispari prije pokretanja motora.

Prilikom pokretanja motora

- Pazite na to da svječica, prigušivač, čep goriva i filter za zrak (ako je ugrađen) budu na svome mjestu i učvršćeni.
- Nemojte pokretati motor s uklonjenom svjećicom.
- Ako je motor zaliven gorivom, postavite čok (ako je ugrađen) u položaj OTVORENO/RAD, pomaknite gas (ako je ugrađen) u položaj BRZO i okretanjem pokrenite motor.

Prilikom rukovanja opremom

- Ne naginjte motor ili opremu pod kutom koji može izazvati prolijevanje goriva.
- Ne pokušavajte zaustaviti motor prigušivanjem rasplinjača.
- Nikad ne pokrećite niti koristite motor kada je uklonjen sklop pročišćavača zraka (ako postoji) ili filter za zrak (ako postoji).

Prilikom zamjene ulja

- Ako ulje ispuštate kroz gornju cijev za nalijevanje ulja, spremnik s gorivom mora biti prazan ili bi gorivo moglo istjecati te dovesti do požara ili eksplozije.

Prilikom naginjanja uređaja radi održavanja

- Prilikom obavljanja održavanja kada je potrebno nagnuti stroj, spremnik za gorivo, ako je postavljen na motor, mora se isprazniti jer se gorivo može izliti što može izazvati požar ili eksploziju.

Prilikom prijevoza opreme

- Opremu prevozite s PRAZNIIM spremnikom za gorivo ili ventil za zatvaranje dovoda goriva podesite na ZATVORENO.

Prilikom skladištenja goriva ili uređaja s gorivom u spremniku

- Pohranite daleko od peći, kuhala, grijača vode ili drugih uređaja koji imaju inicijalizacijske plamičke ili druge izvore paljenja jer oni mogu zapaliti pare goriva.



UPOZORENJE

Pokretanje motora uzrokuje iskrenje.

Iskre mogu zapaliti zapaljive plinove u okruženju.

To može rezultirati eksplozijom i požarom.

- Ako u blizini istječe prirodni ili LP plin, ne pokrećite motor.
- Ne koristite tekućine za pokretanje pod tlakom jer su njihove pare zapaljive.



UPOZORENJE

OPASNOST OD OTROVNOG PLINA. Ispušni plinovi motora sadrže otrovni ugljični monoksid, otrovni plin koji vas može usmrtniti za nekoliko minuta. To je plin BEZ boje, mirisa i okusa. Čak i ako ne udišete ispušne plinove, ipak možete biti izloženi ugljičnom monoksidu. Ako počnete osjećati mučninu, vrtoglavicu ili slabost kada koristite ovaj proizvod, ODMAH izađite na svjež zrak. Odmah potražite liječničku pomoć. Možda ste udahnuili ugljični monoksid.

- Ovim proizvodom rukujte ISKLJUČIVO na otvorenom daleko od prozora, vrata i ventilacijskih otvora jer ćete time smanjiti opasnost od nakupljanja ugljičnog monoksida i mogućnosti da dođe do njegovog uvlačenja u prostor u kojemu borave ljudi.
- Montirajte alarmne uređaje za ugljični monoksid s baterijskim napajanjem ili ukopčajte alarmne uređaje za ugljični monoksid s rezervnim baterijskim napajanjem sukladno s uputama proizvođača. Detektori dima ne mogu otkriti prisutnost ugljičnog monoksida.
- NEMOJTE koristiti ovaj proizvod u kućama, garažama, podrumima, skućenim prostorima, ostavama ili drugim djelomično zatvorenim prostorima, čak i ako koristite ventilatore ili držite vrata i prozore otvorenima radi ventilacije. Ugljični monoksid može se brzo nakupiti u takvim prostorima i tamo se zadržati satima, čak i nakon gašenja proizvoda.
- Proizvod UVIJEK postavljajte niz vjetar i usmjerite ispuh motora dalje od mjesta u kojemu borave ljudi.



UPOZORENJE

Brzo vraćanje konopa za pokretanje (povratni udarac) povući će šaku i ruku prema motoru brže no što ga možete ispustiti.

To može izazvati lom kostiju, frakture, modrice ili iščašenja.

- Prilikom pokretanja motora lagano povucite konop za pokretanje dok ne osjetite otpor i zatim naglo povucite da izbjegnute povratni udar.
- Uklonite sva vanjska opterećenja opreme/motora prije pokretanja motora.
- Izravno spojeni dijelovi opreme poput, ali ne i isključivo, oštrica noževa, krilaca, remenica, lančanika, itd. moraju biti dobro pričvršćeni.



UPOZORENJE

Rotirajući dijelovi mogu dodirnuti ili zahvatiti ruke, stopala, kosu, odjeću ili nakit.

Može doći do traumatske amputacije ili teških razderotina.

- Opremu koristite samo ako su štitnici postavljeni na njihovo mjesto.
- Ruke i noge držite podalje od rotirajućih dijelova.
- Zavežite dugu kosu i skinite nakit.
- Ne odijevajte široku odjeću, pazite na vezice i ostale odjevne predmete koje stroj može zahvatiti.



UPOZORENJE

Rad motora proizvodi toplinu. Dijelovi motora, posebno prigušivač, postaju iznimno topli.

U slučaju dodira možete zadobiti teške opekline.

Zapaljivi ostaci, poput lišća, trave, grmlja i sl. mogu se zapaliti.

- Prije dodirivanja pričekajte da se ohlade prigušivač, cilindar motora i rebra motora.
- Uklonite ostatke s područja prigušivača i cilindra.
- Uporaba ili rukovanje motorom na bilo kojem zemljištu prekrivenom šumom, grmljem ili travom smatra se kršenjem Kalifornijskog zakona o javnim resursima dio 4442 (California Public Resource Code Section 4442), osim ako ispušni sustav nije opremljen hvatačem iskri kao što je to definirano u dijelu 4442 gornjeg zakona, koji treba održavati u dobrom radnom stanju. Druge države ili federalna zakonodavstva mogu imati slične zakone. Kontaktirajte proizvođača originalne opreme, trgovca ili zastupnika i pribavite hvatač iskri osmišljen za ispušni sustav postavljen na ovom motoru.



UPOZORENJE

Nenamjerno iskrenje može rezultirati požarom ili strujnim udarom.

Nehotično pokretanje može rezultirati zahvaćanjem, traumatičnim amputacijama ili razderotinama.

Opasnost od požara

Prije podešavanja ili popravljaja:

- Odspojite žicu svječice i držite je podalje od same svječice.
- Odspojite akumulator na negativnom priključku (samo za motore s električnim paljenjem)
- Koristite samo ispravne alate.
- Ne dirajte opruge regulatora, veze ili druge dijelove radi povećanja brzine motora.
- Zamjenski dijelovi moraju biti jednakog dizajna kao izvorni i moraju se postaviti na isto mjesto kao i izvorni dijelovi. Ostali dijelovi možda neće raditi jednako dobro, mogu oštetiti stroj i izazvati ozljede.
- Ne udarajte po zamašnjaku čekićem ili tvrdim predmetima jer se zbog toga zamašnjak može smrskati za vrijeme rada.

Prilikom ispitivanja svječice:

- Koristite odobreni ispitivač svječica.
- Ne provjeravajte ima li iskrenja kada je svječica uklonjena.

Značajke i upravljački elementi

Upravljanje motorom

Usporedite sliku (slika: 1, 2, 3) s vašim motorom kako biste se upoznali s položajem različitih funkcija i upravljanja.

- A. Brojevi za prepoznavanje motora **Model - Vrsta - Kod**
- B. Svjećica
- C. Filtar za zrak
- D. Ručka užeta pokretača (ako je ugrađen)
- E. Mjerna šipka
- F. Čep za ispuštanje ulja
- G. Prigušivač, štitičnik prigušivača (ako je ugrađen), hvatač iskre (ako je ugrađen)
- H. Rešetka na usisu zraka
- I. Rešetka na usisu zraka
- J. Filtar za ulje (ako je ugrađen)
- K. Elektropokretač (ako je ugrađen)
- L. Rasplinjač
- M. Filtar za gorivo (ako je ugrađen)
- N. Crpka za gorivo (ako je ugrađena)
- O. Otvor za brzo ispuštanje ulja (ako je ugrađen)
- P. Elektronička upravljačka jedinica (ako je ugrađena)

Simboli upravljanja motorom i njihovo značenje

Simbol	Značenje	Simbol	Značenje
	Brzina vrtnje motora - VISOKA		Brzina vrtnje motora - NISKA
	Brzina vrtnje motora - ZAUSTAVLJEN		Uključeno - Isključeno
	Pokretanje motora - čok ZATVOREN		Pokretanje motora - čok OTVOREN
	Čep za gorivo Ventil za dovod goriva - OTVOREN		Ventil za dovod goriva - ZATVOREN
	Razina goriva - maksimalno Nemojte prepunjavati		

Rukovanje strojem

Preporučena ulja

Kapacitet spremnika ulja: Pogledajte odjeljak **Tehnički podaci**.

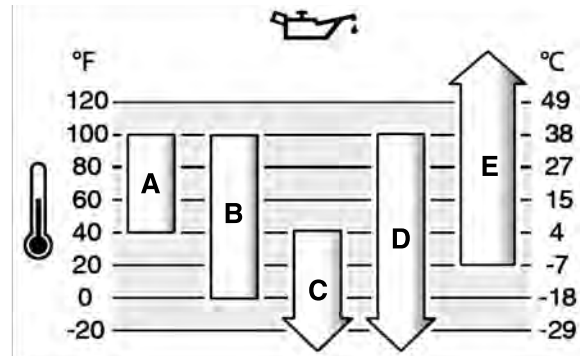
OPASKA

Ovaj se motor iz tvrtke Briggs & Stratton isporučuje bez ulja. Moguće je da su proizvođači uređaja ili prodajni zastupnici dodali ulje u motor. Prije pokretanja motora pobrinite se da provjerite razinu ulja u motoru i dolijete ulje u skladu s uputama u ovom priručniku. Ako motor pokrenete bez ulja, doći će do oštećenja koje nije moguće popraviti i to nije obuhvaćeno jamstvom.

Za postizanje najboljeg radnog učinka preporučujemo uporabu jamstveno potvrđenih ulja tvrtke Briggs & Stratton. Druga visokokvalitetna motorna ulja s aditivima deterdženta su

prihvatljiva ako su klasificirana za SF, SG, SH, SJ ili višu namjenu. Ne koristite posebne aditive.

Vanjska temperatura određuju točnu viskoznost ulja za motor. Za odabir najbolje viskoznosti u skladu s očekivanim rasponom vanjske temperature koristite grafikon. Motori za većinu opreme za vanjsku primjenu uredno rade sa sintetičkim uljem 5W-30. Za opremu koja se koristi na visokim temperaturama, najbolju zaštitu pruža sintetičko ulje Vanguard™ 15W-50.



A	SAE 30 - Ispod 40 ° F (4 ° C) upotreba ulja SAE 30 će izazvati teškoće s pokretanjem.
B	10W-30 - Iznad 80 ° F (27 ° C) upotreba ulja 10W-30 može dovesti do povećane potrošnje ulja. Često provjeravajte razinu ulja.
C	5W-30
D	Sintetičko ulje 5W-30
E	Vanguard™ sintetičko ulje 15W-50

Provjera razine ulja

Pogledajte sliku: 4

Prije provjere ili dolijevanja ulja

- Pazite da motor bude u vodoravnom položaju.
- Iz područja za ulijevanje ulja očistite sve nečistoće.

1. Izvadite mjernu šipku (A, slika 4) i obrišite je čistom krpom.
2. Montirajte i stegnite mjernu šipku (A, slika 4).
3. Izvadite mjernu šipku i provjerite razinu ulja. Propisana razina ulja nalazi se na gornjem dijelu indikatora napunjenosti (B, slika 4) na mjernoj šipki.
4. Ako je razina ulja niska, polako dolijevajte ulje u otvor za ulijevanje ulja na motoru (C, slika 4). **Nemojte prepunjavati.** Nakon dodavanja ulja, pričekajte minutu i zatim opet provjerite razinu ulja.

Napomena: Ne ulijevajte ulje u otvor za brzo ispuštanje ulja, ako je montiran. Lokaciju potražite u **Funkcije i upravljanje**.

5. Vratite i stegnite mjernu šipku (A, slika 4).

Sustav za zaštitu od niske razine ulja (ako je ugrađen)

Neki motori opremljeni su senzorom niske razine ulja. Ako je razina ulja niska, senzor će aktivirati svjetlo upozorenja ili zaustaviti rad motora. Zaustavite rad motora i provedite sljedeći postupak prije ponovnog pokretanja motora.

- Pazite da motor bude u vodoravnom položaju.
- Provjerite razinu ulja Pogledajte odjeljak **Provjera razine ulja**.
- Ako je razina ulja niska, dolijte propisanu količinu ulja. Pokrenite motor i provjerite da se svjetlosno upozorenje (ako je ugrađeno) nije aktiviralo.
- Ako razina ulja nije niska, ne pokrećite rad motora. Obratite se ovlaštenom serviseru tvrtke Briggs & Stratton kako biste riješili problem s uljem.

Preporuke u vezi goriva

Gorivo mora zadovoljiti ove zahtjeve:

- Čist, svjež bezolovni benzin.
- Najmanje 87 oktana/87 AKI (91 RON). Za visoke nadmorske visine vidi u nastavku.
- Prihvatljiv je benzin s 10% etanola (gazohol).

OPASKA Ne upotrebljavajte neodobrene benzine, primjerice, E15 i E85. Ne miješajte ulje i benzin i ne prepravljajte motor kako bi radio na neka druga goriva. Uпотреба neodobrenog goriva će dovesti do oštećenja dijelova motora, koji nisu obuhvaćeni jamstvom.

Da biste zaštitili sustav od formiranja gume, u gorivo umiješajte stabilizator goriva. Pogledajte **Skladištenje**. Sva goriva nisu jednaka. Ako se javi problemi s pokretanjem ili radom, promijenite dobavljača ili marku goriva. Ovaj motor određen je za rad sa benzinom. Sustav kontrole ispuštanja za ovaj motor je EM (Engine Modifications (Izmjene na motoru)).

Velika nadmorska visina

Na nadmorskim visinama višima od 5000 stopa (1524 metara), prihvatljiv je benzin od minimalno 85 oktana/85 AKI (89 RON).

Na motorima s rasplinjačem, za održavanje radnih svojstava potrebno je izvršiti prilagodbu za veliku nadmorsku visinu. Rad bez podešavanja uzrokovat će lošiju kvalitetu rada, povećanu potrošnju goriva i pojačane emisije. Podatke o podešavanju za veliku nadmorsku visinu potražite kod ovlaštenog predstavnika Briggs & Stratton. Na nadmorskim visinama nižima od 2500 stopa (762 metra) ne preporučuje se rad s podešavanjima za visoke nadmorske visine.

Za motore s elektroničkim ubrizgavanjem goriva (EFI), podešavanje za velike nadmorske visine nije potrebno.

Dolijevanje goriva

Pogledajte sliku 5



UPOZORENJE

Gorivo i njegove pare izuzetno su zapaljivi i eksplozivni.

Požar ili eksplozija mogu izazvati ozbiljne opekline ili smrt.

Prilikom dolijevanja goriva

- Ugasite motor i pustite da se hladi bar 2 minute prije skidanja poklopca goriva.
 - Puniti spremnik goriva na otvorenom ili u dobro ventiliranom prostoru.
 - Nemojte prelići spremnik goriva. Da omogućite širenje goriva, nemojte ga puniti dalje od dna grla spremnika goriva.
 - Benzin držite podalje od iskrenja, otvorenog plamena, inicijalizacijskih plamčaka, vrućine i drugih izvora zapaljenja.
 - Provjeravajte češće vodove goriva, spremnik, poklopac i spojeve radi napuknuća ili curenja. Zamijenite ih ako je potrebno.
 - Ako se gorivo prolje, pričekajte dok ne ishlapi prije pokretanja motora.
1. Iz područja za ulijevanje goriva odstranite svu prljavštinu i nečistoću. Skinite spremnik goriva.
 2. Spremnik za gorivo napunite s gorivom (A, slika 5). Da omogućite širenje goriva, nemojte ga puniti dalje od dna grla spremnika goriva (C).
 3. Vratite čep otvora za ulijevanje goriva.

Pokretanje i zaustavljanje rada motora

Pogledajte sliku: 6

Pokretanje motora



UPOZORENJE

Brzo vraćanje konopca za pokretanje (povratni udarac) povući će šaku i ruku prema motoru brže no što ga možete ispustiti.

Može doći do loma kostiju, fraktura, modrica ili iščašenja.

- Pri pokretanju motora, lagano povucite užu pokretača sve dok ne osjetite otpor, zatim je povucite snažno i brzo da izbjegnute povratni udarac.



UPOZORENJE

Gorivo i njegove pare iznimno su zapaljivi i eksplozivni.

Požar ili eksplozija mogu izazvati teške opekline ili smrt.

Pri pokretanju motora

- Pazite na to da svječića, prigušivač, čep goriva i filtar za zrak (ako je montiran) budu na svom mjestu i učvršćeni.
- Nemojte pokretati motor sa skinutom svjećicom.

- Ako dođe do zalijevanja motora gorivom, postavite čok (ako postoji) u položaj OPEN / RUN, pomaknite gas (ako postoji) u položaj FAST i okrećite motor sve dok ne upali.



UPOZORENJE

OPASNOST OD OTROVNOG PLINA. Ispušni plinovi motora sadrže otrovni ugljični monoksid, otrovni plin koji vas može usmrtiti za nekoliko minuta. On je **BEZ boje, mirisa i okusa**. Čak i ako ne udišete ispušne plinove, ipak možete biti izloženi ugljičnom monoksidu. Ako za vrijeme korištenja ovog proizvoda osjetite mučninu, vrtoglavica ili slabost, ugasite ga i **BEZ ODLAGANJA** izađite na svjež zrak. **Potražite pomoć liječnika. Možda ste udahnuili ugljični monoksid.**

- Ovaj proizvod koristite **ISKLJUČIVO** na velikoj udaljenosti od prozora, vrata i ventilacijskih otvora jer time ćete smanjiti opasnost od nakupljanja ugljičnog monoksida i mogućnosti da dođe do njegovog uvlačenja u prostor u kojemu borave ljudi.
- Montirajte alarmne uređaje za ugljični monoksid s baterijskim napajanjem ili ukopčajte alarmne uređaje za ugljični monoksid s rezervnim baterijskim napajanjem u sukladnosti s uputama proizvođača. Detektori dima ne mogu otkriti prisutnost ugljičnog monoksida.
- **NEMOJTE** koristiti ove proizvode u kući, garaži, podrumu, niskom podrumu, skloništu ili drugom djelomično zatvorenom prostoru čak ni ako koristite ventilatore, prozore ili vrata za provetranje prostora. Ugljični monoksid može se brzo nakupiti u takvim prostorima i tamo se zadržati satima, čak i nakon gašenja proizvoda.
- Ovaj proizvod **UVIJEK** postavite niz vjetar i ispuh usmjerite dalje od mjesta na kojemu borave ljudi.

OPASKA Ovaj se motor iz tvrtke Briggs & Stratton isporučuje bez ulja. Prije pokretanja motora pobrinite se da u motor ulijete ulje u skladu s uputama u ovom priručniku. Ako motor pokrenete bez ulja, doći će do njegova oštećenja preko granice mogućeg popravka i to neće biti obuhvaćeno jamstvom.

Utvrdite sustav za pokretanje

Prije pokretanja motora morate utvrditi koji sustav pokretanja ima vaš motor. Vaš motor će imati samo jednu od ovih vrsta sustava za pokretanje.

- **Sustav ReadyStart®:** Karakterističan je automatski čok čijim radom upravlja temperatura. Ova vrsta ne posjeduje pumpicu.
- **Sustav za elektroničko upravljanje gorivom:** Karakterizira ga elektronička upravljačka jedinica koja nadzire stanja motora i temperature. Ova vrsta nema ručni čok ili pumpicu za ubrizgavanje.
- **Sustav s čokom:** Karakterizira ga čok koji se koristi za pokretanje pri niskim temperaturama. Neki modeli posjeduju odvojenu ručicu za čok, dok će kod drugih modela biti prisutna kombinirana ručica za čok/gas. Ova vrsta ne posjeduje pumpicu.

Pri pokretanju motora slijedite upute za vašu vrstu sustava za pokretanje.

Napomena: Uređaji mogu imati daljinsko upravljanje. Lokaciju daljinskog upravljanja potražite u priručniku opreme.

Sustav ReadyStart®

1. Provjerite ulje u motoru. Pogledajte odjeljak **Provjera razine ulja**.
2. Ako postoje, provjerite da li su upravljačke ručice uređaja deaktivirane.
3. Okrenite ventil za dovod goriva (A, slika 6), ako postoji, u OTVORENI položaj.
4. Pomaknite regulator gasa (B, slika 6), ako postoji, u položaj FAST. Pustite motor da radi u položaju FAST.

Napomena: Pri pokretanju na temperaturama za hladnog vremena (ispod 32 °F), kombiniranu ručicu za čok/gas (B C, slika 6) prebacite u položaj CHOKE.

5. **Sklopka s ključem, ako je ugrađena:** Okrenite sklopku s ključem (D, slika 6) u položaj UKLJUČENO / POKRETANJE.

Gumb za pokretanje/zaustavljanje, ako je ugrađen: Pritisnite gumb za pokretanje/zaustavljanje (F, slika 6).

OPASKA Koristite kratke cikluse pokretanja (najviše pet sekundi) kako biste produžili radni vijek pokretača. Pričekajte jednu minutu između dva pokretanja.

Napomena: Ako se motor ne pokrene ni nakon nekoliko pokušaja, obratite se lokalnom predstavniku ili idite na **BRIGGSandSTRATTON.com** ili zovite **1-800-233-3723** (u SAD-u).

Sustav za elektroničko upravljanje gorivom

1. Provjerite ulje u motoru. Pogledajte odjeljak **Provjera razine ulja**.
2. Ako postoje, provjerite da li su upravljačke ručice uređaja deaktivirane.

- Okrenite ventil za dovod goriva (A, slika 6), ako postoji, u OTVORENI položaj.
- Pomaknite regulator gasa (B, slika 6), ako postoji, u položaj FAST. Pustite motor da radi u položaju FAST.
- Ručni pokretač, ako je ugrađen:** Okrenite sklopku s ključem (D, slika 6) u položaj UKLJUČENO / POKRETANJE.
- Ručni pokretač, ako je ugrađen:** Čvrsto uhvatite ručku užeta za pokretanje (E, slika 6). Dršku konopca pokretača povlačite polagano dok ne osjetite otpor, a zatim ga povucite brzo.



UPOZORENJE

Brzo vraćanje konopca za pokretanje (povratni udarac) povući će šaku i ruku prema motoru brže no što ga možete ispustiti. Može doći do loma kostiju, fraktura, modrica ili iščašenja. Pri pokretanju motora, lagano povucite uže pokretača sve dok ne osjetite otpor, zatim je povucite snažno i brzo da izbjegnute povratni udarac.

- Elektropokretač, ako je ugrađen:** Okrenite sklopku s ključem (D, slika 6) u položaj UKLJUČENO / POKRETANJE.

OPASKA Koristite kratke cikluse pokretanja (najviše pet sekundi) kako biste produžili radni vijek pokretača. Pričekajte jednu minutu između dva pokretanja.

Napomena: Ako se motor ne pokrene ni nakon nekoliko pokušaja, obratite se lokalnom predstavniku ili idite na **BRIGGSandSTRATTON.com** ili zovite **1-800-233-3723** (u SAD-u).

Sustav s čokom

- Provjerite ulje u motoru. Pogledajte odjeljak **Provjera razine ulja**.
- Ako postoje, provjerite da li su upravljačke ručice uređaja deaktivirane.
- Okrenite ventil za dovod goriva (A, slika 6), ako postoji, u OTVORENI položaj.
- Pomaknite regulator gasa (B, slika 6), ako postoji, u položaj FAST. Pustite motor da radi u položaju FAST.
- Postavite regulator čoka (C, slika 6) u zatvoreni položaj CLOSED. Na modelima s kombiniranim regulatorom čoka/gasa (B C), regulator postavite u položaj CHOKE.

Napomena: Napomena: čok je obično nepotreban pri ponovnom paljenju toplog motora.

- Ručni pokretač, ako je ugrađen:** Okrenite sklopku s ključem (D, slika 6) u položaj UKLJUČENO / POKRETANJE.
- Ručni pokretač, ako je ugrađen:** Čvrsto uhvatite ručku užeta za pokretanje (E, slika 6). Dršku konopca pokretača povlačite polagano dok ne osjetite otpor, a zatim ga povucite brzo.



UPOZORENJE

Brzo vraćanje konopca za pokretanje (povratni udarac) povući će šaku i ruku prema motoru brže no što ga možete ispustiti. Može doći do loma kostiju, fraktura, modrica ili iščašenja. Pri pokretanju motora, lagano povucite uže pokretača sve dok ne osjetite otpor, zatim je povucite snažno i brzo da izbjegnute povratni udarac.

- Elektropokretač, ako je ugrađen:** Okrenite sklopku s ključem (D, slika 6) u položaj UKLJUČENO / POKRETANJE.

OPASKA Koristite kratke cikluse pokretanja (najviše pet sekundi) kako biste produžili radni vijek pokretača. Pričekajte jednu minutu između dva pokretanja.

- Kada se motor zagrije, okrenite regulator čoka (C, slika 6) u otvoreni položaj OTVORENI. Na modelima s kombiniranim regulatorom čoka/gasa (B C), regulator postavite u položaj FAST.

Napomena: Ako se motor ne pokrene ni nakon nekoliko pokušaja, obratite se lokalnom predstavniku ili idite na **BRIGGSandSTRATTON.com** ili zovite **1-800-233-3723** (u SAD-u).

Zaustavljanje rada motora



UPOZORENJE



Gorivo i njegove pare iznimno su zapaljivi i eksplozivni.

Požar ili eksplozija mogu izazvati teške opekline ili smrt.

- Nemojte čokom gušiti motor da ga zaustavite.

- Sklopka s ključem, ako je ugrađena:** Dok se regulator gasa nalazi u položaju za veliku brzinu FAST, sklopku s ključem (D, slika 6) okrenite u isključeni položaj OFF. Izvadite ključ i pohranite ga na sigurnom mjestu izvan dohvata djece. **Gumb za pokretanje / zaustavljanje, ako je ugrađen:** Dok se regulator gasa nalazi u položaju za veliku brzinu FAST, pritisnite gumb za POKRETANJE / ZAUSTAVLJANJE (F, slika 6).
- Kada se rad motora zaustavi, okrenite ventil za dovod goriva (A, slika 6), ako je ugrađen, u ZATVORENI položaj.

Održavanje

OPASKA Ako se tijekom održavanja motor nagne, ako je spremnik s gorivom montiran, on mora biti prazan i strana sa svjećicom mora biti okrenuta prema gore. Ako spremnik s gorivom nije prazan i ako se motor nagne u bilo kojem drugom smjeru, to bi moglo dovesti do teškoća pri pokretanju jer će se ulje i gorivo onečistiti filter za zrak i/ili svjećicu.



UPOZORENJE

Prilikom radova na održavanju za koje je potrebno nagibanje uređaja, spremnik s gorivom mora biti prazan jer će u protivnom istjecati gorivo što može dovesti do požara ili eksplozije.

Preporučujemo vam da se obratite ovlaštenom Briggs & Stratton servisu za održavanje i servis motora i dijelova motora.

OPASKA Svi sastavni dijelovi moraju biti na svom mjestu kako bi ovaj motor radio ispravno.



UPOZORENJE



Nenamjerno iskenje može dovesti do požara ili strujnog udara.

Nenamjerno pokretanje može dovesti do zapetljanja, traumatske amputacije ili ranjavanja.

Opasnost od požara

Prije podešavanja ili popravljivanja:

- Odvajite kabel svjećice i držite ga podalje od svjećice.
- Odvajite bateriju na negativnom polu (samo za motore s električnim paljenjem).
- Koristite samo ispravne alate.
- Nemojte dirati opruge regulatora, veze ili druge dijelove radi povećavanja brzine motora.
- 1Zamjenski dijelovi moraju biti jednake izvedbe i moraju se ugraditi u istom položaju kao i originalni dijelovi. Drugi dijelovi neće raditi kako treba i mogu oštetiti jedinicu te dovesti do ozljede.
- Nemojte udarati po zamašnjaku čekićem ili tvrdim predmetima jer će to kasnije dovesti do vibracija zamašnjaka.

Kad provjeravate ima li iskre:

- Koristite odobreni ispitivač svjećica.
- NEMOJTE provjeravati iskru sa skinutom svjećicom.

Servis sustava za kontrolu emisija

Održavanje, zamjenu ili popravak uređaja i sustava za kontrolu emisije može obaviti bilo koja radionica ili osoba, a koji se bave popravcima terenskih motora. Ipak, "besplatan" servisi sustava za kontrolu emisije radove mora obaviti ovlaštenu servisnu tvornicu. Pogledajte izjave o kontroli emisije.

Plan održavanja

Nakon prvih 5 sati rada
<ul style="list-style-type: none"> Promijenite ulje ³
Svakih 8 sati ili jednom dnevno
<ul style="list-style-type: none"> Provjerite razinu ulja u motoru Očistite područje oko prigušivača i regulatora Očistite rešetku na usisu zraka
Svakih 25 sati ili jednom godišnje
<ul style="list-style-type: none"> Očistite zračni filter ¹ Očistite predfilter (ako je ugrađen) ¹

Svaki 50 sati ili jednom godišnje
<ul style="list-style-type: none"> Zamijenite ulje u motoru ⁴ Zamijenite filter za ulje (ako je ugrađen) ⁴ Servisirajte ispušni sustav
Svaki 100 sati ili jednom godišnje
<ul style="list-style-type: none"> Zamijenite ulje u motoru ⁵ Zamijenite filter za ulje (ako je ugrađen) ⁵
Jednom godišnje
<ul style="list-style-type: none"> Zamijenite svjećicu Zamijenite filter za zrak Zamijenite predfilter (ako je ugrađen) Zamijenite filter goriva (ako je ugrađen) Servisirajte sustav za gorivo Servisni sustav hlađenja ¹ Provjerite zazor ventila ²

¹ U prašnjavim uvjetima ili ako u zraku ima nečistoća, čišćenje izvršite češće.

² Nije potrebno osim ako se pojave problemi u radu motora.

³ Samo motori s filtrom za ulje.

⁴ Motori bez filtra za ulje ili sa standardnim crnim filtrom za ulje (boj dijela potražite na stranici **Tehnički podaci**).

⁵ Motori s visokoučinskim žutim ili narančastim filtrom za ulje (boj dijela potražite na stranici **Tehnički podaci**).

Sustav za elektroničko upravljanje gorivom

Sustav za elektroničko upravljanje gorivom nadzire temperaturu motora, brzinu motora i napon baterije radi podešavanja čoka tijekom pokretanja i zagrijavanja motora. Sustav nema mogućnost prilagodbe. Ako dođe do problema s pokretanjem ili radom, obratite se ovlaštenom serviseru tvrtke Briggs & Stratton.

OPASKA Držite se postupka u nastavku jer u protivnom bi se mogao oštetiti sustav za elektroničko upravljanje gorivom.

- Nikada ne pokrećite motor ako su kabeli baterije olabavljeni.
- Okrenite ključ u isključeni položaj prije odvajanja, uklanjanja i/ili ugradnje baterije.
- Punjač baterije nikada ne koristite za pokretanje motora.
- Nikada ne odvajajte kabele baterije dok je motor u radu.
- Prilikom priključivanja kabela baterije, prvo priključite pozitivni (+) kabel a zatim negativni (-) kabel na bateriju.
- Prilikom punjenja baterije ključ za paljenje okrenite u isključeni položaj i odvojite negativni (-) baterijski kabel od baterije.
- Ne prskajte vodom izravno po elektroničkoj upravljačkoj jedinici.

Rasplinjač i brzina vrtnje motora

Nikad izvodite podešavanja na rasplinjaču regulatoru brzine. Rasplinjač je tvornički već podešen za efikasan rad pod većinom uvjeta. Nemojte dirati opruge regulatora, polužje ili druge dijelove radi povećavanja brzine vrtnje motora. Ako su podešavanja ipak potrebna, obratite se ovlaštenom servisnom centru Briggs & Stratton.

OPASKA Proizvođač opreme propisuje maksimalnu brzinu vrtnje motora koji je montiran na opremi. **Nemojte prekoračivati** ovu brzinu. Ako niste sigurni kolika je maksimalna brzina vrtnje opreme ili na koju je brzinu vrtnje motor podešen u tvornici, obratite se ovlaštenom servisnom centru Briggs & Stratton radi pomoći. Kako bi se osigurao siguran i propisani rad opreme, brzinu vrtnje smije podešavati samo kvalificirani servisni tehničar.

Servisiranje svjećice

Pogledajte sliku 7

Provjerite razmak elektroda (A, slika 7) žičanim mjerjačem (B) Ako je potrebno podesite razmak Postavite svjećicu i pritegnite je odgovarajućim momentom Vrijednosti razmaka elektroda i momenta pritezanja svjećice potražite u odjeljku **Tehnički podaci**.

Napomena: *U nekim područjima lokalni propisi zahtijevaju uporabu svjećice s otpornikom da bi se sprječile radio-smetnje koje nastaju pri paljenju Ako je na ovom motoru ugrađena svjećica s otpornikom, pri njezinoj zamjeni koristite istovrsnu svjećicu.

Uklanjanje ispušnog sustava



UPOZORENJE

Rad motora proizvodi toplinu Dijelovi motora, naročito prigušivač, izuzetno se zagrijavaju.

Teške opekline mogu nastati pri dodiru.

Zapaljivi otpad poput lišća, trave, grmlja itd. može se upaliti.

- Pustite da se prigušivač, cilindri motora i rebra ohlade prije dodirivanja.
- Odstranite nakupine nečistoće iz okoline prigušivača i cilindra.
- Upotreba motora na pošumljenom terenu, terenu punom žbunja ili niskog raslinja i trave ako ispušni sustav nije opremljen hvatačem iskre, kako je to definirano u odjeljku 4442, koji se održava u ispravnom stanju, predstavlja kršenje kodeksa o javnim resursima Kalifornije, odjeljak 4442 Druge države ili federalne jedinice mogu imati slične zakone. Kontaktirajte proizvođače originalne opreme, prodavača ili veletrgovca kako biste nabavili hvatač iskre koji je predviđen za montažu na ispušni sustav ovog motora.

Odstranite nakupine nečistoće iz okoline prigušivača i cilindra. Pregledajte da na prigušivaču (A) nema pukotina, korozije ili drugih oštećenja Skinite hvatač iskre (B), ako je ugrađen i pregledajte da nema oštećenja ili začepljenosti ugljičnim naslagama Ako otkrijete oštećenje, montirajte zamjenski dio prije pokretanja.



UPOZORENJE

1Zamjenski dijelovi moraju biti jednake izvedbe i moraju se ugraditi u istom položaju kao i originalni dijelovi Drugi dijelovi neće raditi kako treba i mogu oštetiti jedinicu te dovesti do ozljede.

Zamjena ulja u motoru

Pogledajte sliku: 8, 9, 10, 11

Iskorišteno ulje opasni je otpad i mora se odložiti na ekološki prihvatljiv način. Ne bacajte u kućni otpad. Provjerite s mjesnim vlastima, servisnim centrom ili prodavateljem /pogonom za sigurno odlaganje/reciklažu.

Ispuštanje ulja

- Dok je motor ugašen, ali je još uvijek topao, odvojite vod od svjećice (D, slika 8) i odložite ga dalje od svjećice (E).
- Izvadite mjernu šipku (A, Slika 9).

Čep za ispuštanje ulja, ako je ugrađen

- Skinite čep za ispuštanje ulja (F, slika 10). Ulje ispuštite u odgovarajuću posudu.

Napomena: Bilo koji od prikazanih čepova za ispuštanje ulja (G, slika 10) može biti montiran na motoru.

- Kada ispuštite ulje, postavite i zategnite čep za ispuštanje ulja (F, slika 10).

Otvor za brzo ispuštanje ulja, ako je ugrađen

- Odvojite crijevo s otvora za brzo ispuštanje ulja (H, slika 11) na bočnoj strani motora.
- Okrenite i uklonite čep otvora za ispuštanje ulja (I, slika 11). Pažljivo spustite otvor za brzo ispuštanje ulja (H) u odgovarajuću posudu (J).
- Kada ispuštite ulje, montirajte čep na otvor za brzo ispuštanje ulja (I, slika 11). Spojite crijevo na otvor za brzo ispuštanje ulja (H) na bočnoj strani motora.

Zamjena filtra za ulje, ako je ugrađen

Neki modeli su opremljeni uljnim filtrom U vezi intervala za zamjenu, pogledajte **Tablica održavanja**.

- Ispustite ulje iz motora. Pogledajte odjeljak **Ispuštanje ulja**.
- Skinite filter za ulje (K, slika 9) i zbrinite ga na propisani način.
- Prije postavljanja novog filtra za ulje, lagano namažite brtvu filtra svježim i čistim uljem.
- Rukom montirajte filter za ulje sve dok brtva filtra ne dodirne adapter filtra za ulje, zatim stegnite filter za ulje za 1/2 do 3/4 okretaja.
- Dodavanje ulja. Pogledajte odjeljak **Dodavanje ulja**.

- Pokrenite motor i ostavite ga u radu. Kad se motor zagrije, provjerite da nema curenja ulja.
- Zaustavite rad motora i provjerite razinu ulja. Propisana razina ulja nalazi se na gornjem dijelu indikatora napunjenosti (B, slika 9) na mjernoj šipki.

Dolijevanje ulja

- Pazite da motor bude u vodoravnom položaju.
 - Iz područja za ulijevanje ulja očistite sve nečistoće.
 - Pogledajte odjeljak **Tehnički podaci** radi količine ulja.
- Izvadite mjernu šipku (A, slika 9) i obrišite je čistom krpom.
 - Polako ulijevajte ulje u otvor za ulijevanje ulja u motor (C, slika 9). **Nemojte prepunjavati.** Nakon dodavanja ulja, pričekajte minutu i zatim provjerite razinu ulja.
- Napomena:* Ne ulijevajte ulje u otvor za brzo ispuštanje ulja (H, slika 11), ako je ugrađen.
- Montirajte i stegnite mjernu šipku (A, slika 9).
 - Izvadite mjernu šipku i provjerite razinu ulja. Propisana razina ulja nalazi se na gornjem dijelu indikatora napunjenosti (B, slika 9) na mjernoj šipki.
 - Vratite i stegnite mjernu šipku (A, slika 9).
 - Spojite kabel svjećice (D, slika 8) na svjećicu (E).

Servisiranje zračnog filtra

Pogledajte sliku: 12, 13



UPOZORENJE

Gorivo i njegove pare izuzetno su zapaljivi i eksplozivni.

Požar ili eksplozija mogu izazvati ozbiljne opekline ili smrt.

- Nikad ne pokrećite i ne koristite motor s montiranim filtrom za zrak (ako je ugrađen) ili s demontiranim zračnim filtrom (ako je montiran).

OPASKA Za čišćenje filtra nemojte koristiti komprimirani zrak ili otapala. Komprimirani zrak može oštetiti filter, a otapala ga mogu rastvoriti.

Pogledajte **Plan održavanja** radi utvrđivanja potrebnih servisa.

Na raznim modelima koristi se spužvasti li papirni filter. Neki modeli su također opremljeni predfiltrom koji se može prati i opet koristiti. Usporedite slike u ovom priručniku s vrstom koja je montirana na vašem motoru i servisirajte prema uputama.

Papirni zračni filter

- Povucite dršku na poklopcu (A, slika 12). Zaokrenite dršku na poklopcu prema motoru i zatim skinite poklopac (B).
- Uklonite poklopac predfiltra (C, slika 12), ako je ugrađen, s filtra (D).
- Ako se želite osloboditi otpadaka, lagano kucnite filter (D, slika 12) o tvrdu površinu. Ako je filter prekomjerno zaprljan, zamijenite ga novim filtrom.
- Operite predfilter (C, slika 12) u tekućem deterdžentu i vodi. Ostavite predfilter (C) da se dobro osuši na zraku. **Nemojte** uljiti predfilter.
- Montirajte suhi predfilter (C, slika 12) i filter (D) na postolje motora (E).
- Poravnajte jezičke (F, slika 12) na poklopcu (B) s utorima (G) na kućištu ventilatora.
- Zaokrenite dršku na poklopcu (A, slika 12) natrag i gurnite dolje da se fiksira na svom mjestu.

Papirni zračni filter

- Otpustite vijke (A, slika 13).
- Skinite poklopac (B, slika 13).
- Ako želite ukloniti filter (C, slika 13), dignite kraj filtra i zatim skinite filter s usisa (D).
- Ako se želite osloboditi otpadaka, lagano kucnite filter (C, slika 13) o tvrdu površinu. Ako je filter prekomjerno zaprljan, zamijenite ga novim filtrom.
- Uklonite predfilter (E, slika 13), ako je ugrađen, s filtra (C).
- Operite predfilter (E, slika 13), ako je ugrađen, u tekućem deterdžentu i vodi. Ostavite predfilter da se dobro osuši na zraku. Nemojte uljiti predfilter.
- Montirajte suhi predfilter (E, slika 13), ako je ugrađen, na filter (C).
- Montirajte filter (C, slika 13) na usis (D). Gurnite filter prema dolje u bazu motora. Pobrinite se da filter čvrsto sjedne u bazu motora.
- Montirajte poklopac zračnog filtra (B, slika 13) i pričvrstite ga vijcima (A).

Servisiranje sustava goriva

Pogledajte sliku 14, 15



UPOZORENJE

Gorivo i njegove pare izuzetno su zapaljivi i eksplozivni.

Požar ili eksplozija mogu izazvati ozbiljne opekline ili smrt.

- Benzin držite podalje od iskrenja, otvorenog plamena, inicijalizacijskih plamčičaka, vrućine i drugih izvora zapaljenja.
- Provjeravajte češće vodove goriva, spremnik, poklopac i spojeve radi napuknuća ili curenja. Zamijenite ih ako je potrebno.
- Ispustite gorivo iz spremnika ili zatvorite ventil za dovod goriva prije čišćenja ili zamjene filtra goriva.
- Ako se gorivo prolje, pričekajte dok ne ishlapi prije pokretanja motora.
- Zamjenski dijelovi moraju biti jednaki i postavljeni na istim mjestima kako i originalni dijelovi.

Filter za gorivo, ako je ugrađen

- Ispustite gorivo iz spremnika ili zatvorite ventil za dovod goriva prije čišćenja ili zamjene filtra goriva (A, slika 14). U protivnom bi moglo doći do istjecanja goriva što može dovesti do požara ili eksplozije.
- Kliještima stisnite jezičke (B, slika 14) na obujmicama (C), a zatim svucite obujmice s filtra za gorivo (A) Uvrnite i svucite vodove za gorivo (D) s filtra za gorivo.
- Provjerite da na vodovima za gorivo (D, slika 14) nema pukotina ili curenja. Zamijenite ih ako je potrebno.
- Zamijenite filter za gorivo (A, slika 14) originalnim zamjenskim filtrom na uređaju.
- Pričvrstite vodove za dovod goriva (D, slika 14) uz pomoć obujmica (C), kao što je prikazano.

Mrežica filtra za gorivo, ako je ugrađena

- Skinite čep za ulijevanje goriva (A, slika 15).
- Skinite čep za ulijevanje goriva (B, slika 15).
- Ako je filter goriva zaprljan, očistite ga ili zamijenite. Ako vršite zamjenu sita za otpad, pobrinite se da upotrijebite originalno sito za zamjenu.

Servisiranje rashladnog sustava



UPOZORENJE

Rad motora proizvodi toplinu. Dijelovi motora, naročito prigušivač, izuzetno se zagrijavaju.

Teške opekline mogu nastati pri dodiru.

Zapaljivi otpad poput lišća, trave, grmlja itd. može se upaliti.

- Pustite da se prigušivač, cilindri motora i rebra ohlade prije dodirivanja.
- Odstranite nakupine nečistoće iz okoline prigušivača i cilindra.

OPASKA Nemojte vodom čistiti motor. Voda može onečistiti sustav goriva. Motor očistite četkom ili suhom krpom.

Ovo je motor sa zračnim hlađenjem. Prljavština ili nečistoća može ograničiti protok zraka te izazvati pregrijavanje motora, što će za posljedicu imati slabiji rad i skraćeni životni vijek motora.

- Četkom ili suhom krpom odstranite otpad s rešetke na usisu zraka.
- Polužje, opruge i ručice upravljanja održavajte čistima.
- U prostoru iza i oko prigušivača neka bude nikakvih zapaljivih nečistoća.
- Pobrinite se da na rebrima hladnjaka a ulje ne bude prljavštine i otpadaka.

S vremenom može doći do nakupljanja nečistoća u rebrima za hlađenje cilindra te izazvati pregrijavanje motora. Ove nečistoće se ne mogu uočiti bez djelomičnog rasklapanja motora. Prepustite ovlaštenom predstavniku Briggs & Stratton da pregleda i očisti sustav zračnog hlađenja prema preporukama iz **Tablice održavanja**.

Skladištenje



UPOZORENJE

Gorivo i njegove pare izuzetno su zapaljivi i eksplozivni.

Požar ili eksplozija mogu izazvati teške opekline ili smrt.

Pri likom skladištenja goriva ili opreme s gorivom u spremniku

- Pohranite daleko od peći, štednjaka, grijača vode i drugih uređaja koji imaju inicijalizacijske plamčičke ili druge izvore paljenja jer oni mogu zapaliti pare goriva.

Sustav dovoda goriva

Pogledajte sliku: 16

Motor uskladištite u vodoravnom položaju (normalni radni položaj). Spremnik za gorivo (A, slika 16) napunite gorivom. Kako bi bila moguća ekspanzija goriva, nemojte puniti spremnik više od dna otvora spremnika (B).

Gorivo može postati ustajalo ako je uskladišteno dulje od 30 dana. Zbog ustajalog goriva stvaraju se kiseli i gumasti talozi u sustavu goriva ili na važnim dijelovima rasplinjača. Za održavanje goriva svježim koristite **Briggs & Stratton naprednu formulu za tretiranje i stabiliziranje goriva** koja je dostupna na svim mjestima na kojima se prodaju originalni rezervni dijelovi tvrtke Briggs & Stratton.

Nema potrebe za ispuštanjem goriva iz motora ako je stabilizator goriva dodan prema uputama. Pustite motor da radi dvije (2) minute kako bi se stabilizator rasporedio po sustavu za dovod goriva.

Ako gorivo u motoru prije skladištenja nije bilo obrađeno stabilizatorom goriva, mora se ispustiti u odgovarajući spremnik. Pustite motor da radi dok se ne zaustavi zbog pomanjkanja goriva. Za održavanje svježine goriva preporučuje se uporaba stabilizatora goriva u spremniku za čuvanje.

Motorno ulje

Dok je motor još uvijek zagrijan, promijenite ulje. Pogledajte odjeljak **Promjena motornog ulja**.

Rješavanje problema

Za pomoć se obratite lokalnom prodavatelju ili idite na **BRIGGSandSTRATTON.com** ili nazovite **1-800-233-3723** (u SAD-u).

Tehnički podaci

Model: 210000	
Radni volumen	21.01 ci (344 cc)
Otvor	3.437 in (87,30 mm)
Hod klipa	2.264 in (57,51 mm)
Količina ulja - bez filtra	42 - 44 oz (1,24 - 1,30 L)
Količina ulja - s filtrom	46 - 48 oz (1,36 - 1,40 L)
Zazor svjeće	0.030 in (0,76 mm)
Moment pritezanja svjeće	180 lb-in (20 Nm)
Zazor rotora	0.010 - 0.014 in (0,25 - 0,36 mm)
Zazor usisnog ventila	0.003 - 0.005 in (0,08 - 0,13 mm)
Zazor ispušnog ventila	0.005 - 0.007 in (0,13 - 0,18 mm)

Model: 310000	
Radni volumen	30.59 ci (501 cc)
Otvor	3.563 in (90,49 mm)
Hod klipa	3.062 in (77,77 mm)
Količina ulja - bez filtra	42 - 44 oz (1,24 - 1,30 L)
Količina ulja - s filtrom	46 - 48 oz (1,36 - 1,40 L)
Zazor svjeće	0.030 in (0,76 mm)
Moment pritezanja svjeće	180 lb-in (20 Nm)
Zazor rotora	0.010 - 0.014 in (0,25 - 0,36 mm)

Model: 310000

Zazor usisnog ventila	0.003 - 0.005 in (0,08 - 0,13 mm)
Zazor ispušnog ventila	0.005 - 0.007 in (0,13 - 0,18 mm)

Snaga motora će se smanjiti za 3,5% na svakih 1.000 stopa (300 metara) nadmorske visine i za 1% na svakih 10 °F (5,6 °C) iznad 77 °F (25 °C). Rad motora će biti zadovoljavajući do kutova nagiba od 15°. Pogledajte u upute za operatera radi podataka o dopuštenim sigurnosnim ograničenjima pri radu na usponima.

Servisni dijelovi - model: 210000

Servisni dio	Broj dijela
Zračni filter, papirni (pogledajte sliku 13)	796032
Predfilter za zračni filter, pjenasti (pogledajte sliku 13)	798911
Zračni filter, papirni (pogledajte sliku 12)	698413, 5079
Predfilter za zračni filter, pjenasti (pogledajte sliku 12)	697292, 5079
Ulje - SAE 30 (20 oz, 0,6 L)	100005
Ulje - SAE 30 (48 oz, 1,4 L)	100028
Filter ulja	492932
Napredna formula za pripremu goriva i stabilizator	100117, 100120
Filter za gorivo - motor bez pumpe za gorivo	394358, 5098
Filter za gorivo - motor s pumpom za gorivo	691035, 5065
Svjeća s otpornikom	491055
Dugovječna platinasta svjeća	5066
Ključ za svjećicu	89838, 5023
Ispitivač iskre	19368

Servisni dijelovi - model: 310000

Servisni dio	Broj dijela
Zračni filter, papirni (pogledajte sliku 13)	796031
Predfilter za zračni filter, pjenasti (pogledajte sliku 13)	797704
Zračni filter, papirni (pogledajte sliku 12)	698083, 5077
Predfilter za zračni filter, pjenasti (pogledajte sliku 12)	697015, 5077
Filter za zrak, ravni koji se može prati	697153, 5078
Ulje - SAE 30 (20 oz, 0,6 L)	100005
Ulje - SAE 30 (48 oz, 1,4 L)	100028
Filter za ulje, standardni - crni	492932
Filter za ulje, visokoučinski - žuti	795890
Filter za ulje, visokoučinski - narančasti	798576
Napredna formula za pripremu goriva i stabilizator	100117, 100120
Filter za gorivo - motor bez pumpe za gorivo	394358, 5098
Filter za gorivo - motor s pumpom za gorivo	691035, 6065
Svjeća s otpornikom	491055
Dugovječna platinasta svjeća	5066
Ključ za svjećicu	89838, 5023
Ispitivač iskre	19368

Preporučujemo vam da se obratite ovlaštenom Briggs & Stratton servisu za održavanje i servis motora i dijelova motora.

Nominalne vrijednosti snage: Nominalna vrijednost bruto snage za pojedinačne modele benzinskih motora označena je u skladu s kodeksom J1940 Postupak određivanja snage i zakretnog momenta za male motore & društva SAE (Society of Automotive Engineers) i određuje se u skladu s kodeksom SAE J1995. Vrijednosti momenta izvedene su pri 2600 o/min za motore kod kojih se "o/min" nalazi na naljepnici i pri 3060 o/min za sve druge motore; vrijednosti o snazi dobiveni su pri 3600 o/min. Krivulje bruto snage mogu se vidjeti na stranici www.BRIGGSandSTRATTON.COM. Neto vrijednosti snage dobivene su uz montirani ispušni lonac i filter za zrak, dok su bruto vrijednosti snage dobivene bez tih dodataka. Stvarna bruto snaga motora bit će viša od neto snage i na nju između ostalog utječu radni uvjeti okoline i različitosti od motora do motora. S obzirom na široki asortiman uređaja na kojima su ugrađeni naši motori, benzinski motor neće moći razviti nominalnu bruto snagu kad se bude upotrebljavao na određenom stroju. Ta razlika nastaje zbog brojnih čimbenika uključujući, među ostalim, raznolikost komponenti motora (zračni filter, ispušna cijev, punjenje, hlađenje, rasplinjač, pumpa za gorivo itd.), ograničenja primjene, radne uvjeti okoline (temperaturu, vlagu, nadmorsku visinu) i razlike od motora do motora.

Zbog ograničenja u proizvodnji i kapacitetima, Briggs & Stratton mogu izvršiti zamjenu nekog motora više nominalne snage motorom iz ove serije.

Jamstvo

Jamstvo za motor Briggs & Stratton

Vrijedi od siječnja 2017.

Ograničeno jamstvo

Tvrtka Briggs & Stratton jamči da će, u dolje navedenom jamstvenom razdoblju, besplatno popraviti ili zamijeniti bilo koji manjkavi dio uslijed nedostataka u materijalu i/ili izradi. Troškove prijevoza proizvoda poslanog na popravak ili zamjenu u smislu ovog jamstva mora snositi kupac. Ovo jamstvo vrijedi unutar dolje navedenog vremenskog razdoblja i pod dolje navedenim uvjetima. Ako trebate popraviti uređaj unutar jamstvenoga razdoblja pronađite najbliži ovlašten servis uz pomoć naše mape ovlaštenih servisa dostupne na BRIGGSandSTRATTON.COM. Kupac se mora obratiti ovlaštenom servisu te dostaviti proizvod radi pregleda i provjere.

Ne postoje druga izričita jamstva. Implicirana jamstva, uključujući i ona o utrživosti i prikladnost za određenu namjenu, ograničena su na jamstveno razdoblje navedeno dolje ili na rok dozvoljen zakonom. Odgovornost za slučajnu ili posljedičnu štetu je isključena u obimu dozvoljenom zakonom. U nekim državama ili zemljama nije dozvoljeno ograničenje impliciranog jamstva, a neke države ili zemlje ne dozvoljavaju ograničenje ili izuzeće slučajnih ili posljedičnih šteta stoga se gornja ograničenja ili izuzeća možda neće odnositi na vas. Ovo jamstvo pruža vam određena zakonska prava, a ostala prava, na koja možda imate pravo, razlikuju se među saveznom državama i zemljama⁴.

Uvjeti standardnog jamstva 1, 2, 3

Naziv marke/proizvoda	Privatna uporaba	Komercijalna uporaba
Vanguard™; komercijalna serija	36 mjeseci	36 mjeseci
Motori koji se odlikuju Dura-Bore™ košuljicama od lijevanog željeza	24 mjeseca	12 mjeseci
Svi ostali motori	24 mjeseca	3 mjeseca

¹Ovo su naši standardni jamstveni uvjeti, no ponekad može postojati pokriće jamstvom koje nije bilo definirano u vrijeme objave ovog materijala. Popis trenutnih jamstvenih uvjeta potražite na adresi BRIGGSandSTRATTON.com ili kontaktirajte ovlaštenog zastupnika tvrtke Briggs & Stratton.

²Jamstvo se ne daje za motore strojeva koji se koriste kao osnovni pogon na mjestu rada ili za kućne generatore u komercijalne svrhe. Jamstvo se ne odnosi na motore koji se koriste za natjecanje u utrckama ili u komercijalnim kamionima ili kamionima koji se iznajmljuju.

³Vanguard motor koji se ugrađuje na stacionarne generatore: 24 mjeseca za privatnu uporabu, nema jamstva za komercijalnu uporabu. Vanguard motor koji se ugrađuje na pomoćna vozila: 24 mjeseca za privatnu uporabu, 24 mjeseca za komercijalnu uporabu. Komercijalne serije proizvedene prije srpnja 2017, 24 mjeseca privatne uporabe, 24 mjeseca komercijalne uporabe.

⁴U Australiji - naši proizvodi obuhvaćeni su jamstvima koja ne mogu biti izuzeta iz australskog zakona o potrošačima. Imate pravo na zamjenu ili povrat novca u slučaju velikog kvara te na odštetu u slučaju bilo kakvog razumno predviđivog gubitka ili oštećenja. Također, imate pravo na popravak proizvoda ili zamjenu proizvoda ako njegova kvaliteta nije na prihvatljivoj razini i ako kvar nije velik. Usluge popravka pod jamstvom ostvarit ćete u najbližem ovlaštenom servisu kojega možete pronaći na mapi ovlaštenih servisa na stranici BRIGGSandSTRATTON.COM, pozivom na broj 1300 274 447 ili slanjem poruke e-pošte na adresu salesenquiries@briggsandstratton.com.au, Briggs & Stratton Australia Pty Ltd, 1 Moorebank Avenue, Moorebank, NSW, Australia, 2170.

Jamstveno razdoblje započinje datumom prve kupovine u maloprodaji za privatnu ili komercijalnu uporabu. Korišten u ovoj polici, izraz "privatna uporaba" označava uporabu od strane prvog vlasnika u vlastitom kućanstvu. "Komercijalna uporaba" označava sve ostale uporabe, uključujući uporabu u komercijalne svrhe radi ostvarivanja zarade ili iznajmljivanja. Kada se motor jednom upotrijebi u komercijalne svrhe, za potrebe ovog jamstva smatra se motorom u komercijalnoj uporabi.

Sačuvajte račun kao dokaz kupnje. Ako prilikom traženja usluge popravka u jamstvenom razdoblju ne predočite dokaz o datumu prve kupnje, jamstveno razdoblje utvrdit će se sukladno datumu proizvodnje. Proizvode tvrtke Briggs & Stratton nije potrebno registrirati za ostvarivanje prava na popravak pokriven jamstvom.

Više o vašem jamstvu

Ovo ograničeno jamstvo obuhvaća samo greške u materijalu i/ili izradi motora, a ne zamjenu ili naknadu opreme na koju je motor postavljen. Redovito održavanje, podešavanje, prilagodbe i normalno habanje nisu pokriveni ovim jamstvom. Također, jamstvo ne vrijedi ako je motor izmijenjen ili promijenjen ili ako je serijski broj nečitak ili uklonjen. Ovim jamstvom nisu obuhvaćena oštećenja motora ili problemi u radu koje su izazvali:

1. uporaba dijelova koji nisu originalni dijelovi tvrtke Briggs & Stratton;

- rad motora s nedovoljnom količinom ulja ili s onečišćenim uljem ili s uljem za podmazivanje nedovoljne gradacije;
- uporaba onečišćenog ili ustajalog goriva, mješavine benzina s više od 10% etanola ili zbog upotrebe alternativnih goriva kako što je ukapljeni naftni ili prirodni plin na motorima koji izvorno nisu projektirani/izrađeni za rad s takvim gorivima u tvrtki Briggs & Stratton;
- nečistoća koja je ušla u motor zbog nepropisnog održavanja ili ponovne montaže;
- udarac oštrice noža kosilice u neki tvrdi predmet na travnjaku koji se kosi, olabavljeni ili nepravilno postavljeni adapteri noža, rotora ili drugih elemenata spojenih na radilicu ili prezategnutos klinastih remena;
- pridruženi dijelovi ili sklopovi poput spojke, prijenosi, upravljački dijelovi uređaja itd., koje nije isporučila tvrtka Briggs & Stratton;
- pregrijavanje zbog nakupljene pokošene trave, prljavštine i otpada, gnijezda glodavaca što može izazvati začepljenje rashladnih lamela ili područja zamašnjaka ili rad motora bez dovoljne ventilacije;
- jaka vibracija zbog prekoračenja brzine, olabavljenih nosača motora, olabavljenih ili nebalansiranih noževa ili rotora ili nepropisnog načina povezivanja dijelova oprema na vratilo motora;
- neprikladna uporaba, pomanjkanje redovitog održavanja, otprema, rukovanje ili skladištenje opreme ili nepropisna montaža motora.

Popravak obuhvaćen jamstvom dostupan je samo u ovlaštenim servisima tvrtke Briggs & Stratton. Pronađite najbližeg ovlaštenog serviseru na mapi ovlaštenih servisa na BRIGGSandSTRATTON.COM ili nazovite 1-800-233-3723 (u SAD-u).

80004537 (Rev. C)

1 Biztonsági tudnivalókat tartalmaz ezen útmutató, hogy felhívja a figyelmet a motorokhoz kapcsolódó veszélyekre és kockázatokra, illetve ezek elkerülésének módzataira. A motor helyes gondozására és használatára vonatkozó útmutatásokat is tartalmaz. Mivel a Briggs & Stratton Corporation nem feltétlenül tudja, milyen berendezést fog ez a motor hajtani, fontos, hogy elolvassa és megértse ezen, valamint a motor által meghajtott berendezésre vonatkozó útmutatásokat **Őrizze meg ezeket az utasításokat későbbi tájékozódás céljából.**

Megjegyzés: Az útmutatóban lévő számok és illusztrációk csak tájékoztató jellegűek, eltérhetnek az ön specifikus modelljétől. Ha kérdései vannak, forduljon a szakkereskedéshez.

Pótalkatrészek beszerzéséhez vagy műszaki támogatáshoz alább jegyezze fel a motor modell, típus és kódszámát a vásárlás időpontjával együtt. Ezen számok a motorján találhatóak (lásd a **Funkciók és kezelőszervek** című részt).

Vásárlás dátuma:	
Motor Modell - Típus - Kódszám	
Motorszám	

Keresse meg az egyes motorokon elhelyezett 2D vonalkódot. Ha 2D képes eszközzel nézi, akkor a webhelyünkre irányítja a kód, ahol hozzájuthat e termék támogatási információihoz. Adatátviteli sebességek kerülnek alkalmazásra. Egyes országokban előfordulhat, hogy nem állnak hálózaton keresztül elérhető támogatási információk rendelkezésre.



Újrahasznosítási információ

		Az összes csomagolást, használt olajat, és akkumulátort a vonatkozó hatósági szabályozások alapján kell újrahasznosítani.
--	--	---

A felhasználó biztonsága

Biztonsági figyelmeztető jel és figyelmeztető szavak

Egy biztonsági riasztási szimbólum használatos a személyi sérüléssel járó kockázatokra vonatkozó biztonsági tudnivalók jelzésére. Figyelemfelhívó jelekkel ellátott jelzőszó (VESZÉLY, FIGYELMEZTETÉS vagy VIGYÁZAT) utal a veszély előfordulásának valószínűségére és az esetleges sérülés súlyosságára. Egy veszély-szimbólum is használatos a veszély jellegének jelzésére.

VESZÉLY olyan veszélyre utal, mely, ha nem sikerül elkerülni, akkor **halált, vagy súlyos sérülést okoz.**

FIGYELMEZTETÉS olyan veszélyre utal, mely, ha nem sikerül elkerülni, akkor **halált, vagy komoly sérülést okozhat.**

VIGYÁZAT olyan veszélyre utal, mely, ha nem sikerül elkerülni, akkor **könnyebb vagy közepesen súlyos sérülést okozhat.**

MEGJEGYZÉS olyan tevékenységet jelöl, mely a termék károsodását okozhatja.

Veszélyjelek és jelentésük

Szimbólum	Jelentés	Szimbólum	Jelentés
	Biztonsági információ a személyi sérülést okozható veszélyekről.		A készülék üzemeltetése vagy szervizelése előtt olvassa el és értse meg a használati útmutatót.

Szimbólum	Jelentés	Szimbólum	Jelentés
	Tűzveszély		Robbanásveszély.
	Áramütés veszélye.		Mérgező gázok veszélye
	Forró felület veszélye.		Zajveszély - Hallásvédő használata ajánlott hosszabb használat esetén.
	Kidobott tárgyak miatti veszély - Viseljen szemvédőt.		Robbanásveszély.
	Fagyásveszély		Visszautás veszélye
	Levágásveszély - mozgó alkatrészek		Vegyvi veszély
	Égésveszély		Korrozív

Biztonsági közlemények

FIGYELMEZTETÉS

E termék bizonyos alkatrészei és a velük kapcsolatos tartozékok olyan vegyszereket tartalmaznak, melyeket Kalifornia Államban rákkeltőknek, születési rendellenességeket okozóknak és a reprodukív rendszerre káros hatásúnak ismernek. Miután ezekkel dolgozott, mosson kezet.

FIGYELMEZTETÉS

A termék motorjának kipufogógázai olyan vegyszereket tartalmaznak, amelyeket Kalifornia államban rákkeltőknek, születési rendellenességeket okozóknak, és a reprodukív rendszerre káros hatásúnak ismernek.

FIGYELMEZTETÉS

A Briggs & Stratton motorokat nem a következő járművekhez tervezték és nem használhatóak ezek hajtására: szórakoztató kartok; gokartok; gyermek szabadidős vagy sport terepjárók (ATV); motorkerékpárok; légpárnás járművek; repülőgépek; vagy a Briggs & Stratton által nem támogatott versenyeken használt járművek. A versenytermékekre vonatkozó további tudnivalókért keresse fel a www.briggsracing.com című webhelyet. Hasznójárművekben és side-by-side terepjárókban történő használat esetén kérjük, forduljon a Briggs & Stratton Motor alkalmazási központjához, 1-866-927-3349. Komoly sérüléshez vagy halálhoz vezethet a motor nem megfelelő alkalmazása.

FIGYELMEZTETÉS
Az üzemanyag és annak kipárolgása rendkívül gyúlékony és robbanékony.
A tűz vagy robbanás súlyos égési sérüléseket vagy halált okozhat.

Üzemanyag betöltések

- Kapcsolja ki a motort és hagyja lehűlni legalább 2 percig, mielőtt levonná az üzemanyagsapkát.
- Az üzemanyagtartályt szabadban vagy jól szellőztetett helyen töltsen meg.

- Ne töltse túl az üzemanyagtartályt. Az üzemanyag táulásának lehetővé tétele érdekében ne töltse feljebb az üzemanyagot, mint a tartály nyakának alja.
- Az üzemanyagot tartsa távol szikráktól, nyílt lángtól, gyújtólángtól, hőtől és más gyújtóforrásoktól.
- Rendszeresen ellenőrizze az üzemanyag-vezetékeket, a tartályt, a tartálysapkát és a szerelvényeket repedések vagy szivárgás szempontjából. Szükség esetén cserélje ki.
- Ha az üzemanyag kiömlik, várja meg, amíg az üzemanyag elpárolog mielőtt beindítaná a motort.

A motor beindításakor

- Ellenőrizze, hogy a gyújtógyertya, a kipufogódob, az üzemanyagsapka és a légtisztító (ha van) a helyükön, illetve rögzítve vannak-e.
- Ne indítsa be a motort, ha a gyújtógyertya nincs a helyén.
- Ha a motor túlfolyik, állítsa a szivatót (ha van) NYITVA/ÜZEM pozícióba, a gázkart (ha van) állítsa GYORS pozícióba, és indítózson, amíg a motor be nem indul.

A berendezés működésekor

- Ne döntse meg a motort, vagy a berendezést akkora szögben, hogy az üzemanyag kilöttyenjen.
- Ne fojtassa el a karburátort a motor leállításához.
- Soha ne indítsa vagy üzemeltesse a motort úgy, hogy a levegőszűrő szerelvényt (ha van) vagy a levegőszűrőt (ha van) eltávolították.

Olajcsere közben

- Ha kiüríti az olajat a felső olajfeltöltő csőből, az üzemanyagtartálynak üresnek kell lennie, ellenkező esetben üzemanyag-szivárgás léphet fel, ami tüzet vagy robbanást okozhat.

Az egység karbantartáshoz történő megdöntése közben

- Ha olyan karbantartást végez, mely az egység megdöntését igényli, akkor az üzemanyagtartálynak, amennyiben a motorra van szerelve, üresnek kell lennie ellenkező esetben az üzemanyag kifolyhat és tüzet vagy robbanást okozhat.

A készülék szállításakor

- A szállításhoz az üzemanyagtartálynak ÜRESNEK vagy az elzárószelvénynek a ZÁRT helyzetben kell lennie.

Üzemanyag vagy olyan berendezés tárolása, amelynek üzemanyagtartályában üzemanyag van

- Tárolja távol kazánoktól, tűzhelyektől, vízmelegítőktől vagy más olyan berendezésektől, amelyek gyújtólánggal vagy más gyújtószerkezettel vannak ellátva, mivel ezek meggyújthatják az üzemanyag kipárolgását.



FIGYELMEZTETÉS

A motor indítása szikrákat képez.

A szikrázás gyúlékony gázok közelében azok meggyulladását eredményezheti.

Ez robbanáshoz és tűzhöz vezethet.

- Ha földgáz-, vagy propán-bután gázszivárgás van a területen, ne indítsa el a motort.
- Ne alkalmazzon nyomás alatt lévő indítófolyadékot, mert a gőzök gyúlékonyak.



FIGYELMEZTETÉS

MÉRGEZŐ GÁZ VESZÉLYE. A motor kipufogógáza szénmonoxidot, egy mérgező gázt tartalmaz, amely percek alatt halálos mérgezést okozhat. A szénmonoxid NEM látható, szagtalan és íztelen. Még ha nem is érzi a kipufogógázokat, akkor is ki lehet téve a szénmonoxid-gáz hatásának. Amennyiben a termék használata közben szédülést, rosszulértséget vagy gyengeséget érez, AZONNAL menjen friss levegőre. Menjen orvoshoz. Előfordulhat, hogy szénmonoxid-mérgezése van.

- Ezt a terméket KIZÁRÓLAG a szabadban, ablakoktól, ajtóktól és szellőzőnyílásoktól távol működtesse annak érdekében, hogy csökkentse a szénmonoxid gáz felgyülemeléséből és esetleg emberi tartózkodásra szolgáló helyek felé áramlásából származó veszélyt.
- Telepítsen elemmel működő szénmonoxid-érzékelőket, vagy bedugható szénmonoxid-érzékelőket tartalék akkumulátorral a gyártó utasításai szerint. A füstérzékelők nem tudják érzékelni a szénmonoxid gázt.
- NE üzemeltesse a terméket lakóépületekben, garázsokban, pincékben, kúszótérben, fészerekben vagy más, részben zárt helyiségekben, még akkor se, ha ventilátorokat vagy nyitott ajtókat és ablakokat használ szellőztetéshez. A szénmonoxid gyorsan képes felhalmozódni ezeken a helyeken és órákon át fennmaradhat, még a termék kikapcsolása után is.

- MINDIG a hátszél irányába, ill. úgy fordítsa a terméket, hogy ne áramoljon emberi tartózkodásra szolgáló helyek felé a kipufogógáz.



FIGYELMEZTETÉS

A berántózsínor gyors visszahúzása (visszarúgás) gyorsabban rántja vissza a kezét és karját a motor felé, mint ahogyan el tudja engedni.

Ez csonttörést, roncsolást, zúzódást vagy rándulásokat okozhat.

- A motor indításakor lassan húzza a berántózsínort, amíg ellenállást nem érez, majd a visszarúgás elkerülésére gyorsan rántsa meg.
- Távolítsa el minden külső berendezést/motorterhelést a motor indítása előtt.
- A berendezés közvetlenül rákapcsolt alkatrészeit, mint például a lapátokat, járókereket, ékszíjtárcsákat, lánckereket, stb. biztonságosan rögzíteni kell.



FIGYELMEZTETÉS

A forgó alkatrészek érintkezésbe kerülhetnek a kézzel, lábbal, hajjal, ruházzal és más, a testen viselt tárgyakkal, vagy beleakadhatnak azokba.

Ennek sérüléssel amputáció vagy súlyos vágás lehet a következménye.

- A berendezés működtetésekor a védőberendezések legyenek a helyükön.
- Kezét és lábát tartsa távol a forgó alkatrészekről.
- A hosszú haját kösse fel és vegye le az ékszereket.
- Ne viseljen bő ruhát, lógó húzózsínórokat, vagy olyan ruhadarabokat, amelyeket a gép elkaphat.



FIGYELMEZTETÉS

A járó motorok hőt termelnek. A motor alkatrészei, különösképpen a kipufogódob rendkívül felforrósodnak.

Érintkezéskor súlyos égési sérüléseket szenvedhet.

Az olyan gyúlékony szennyeződések, mint a levelek, fű, bozót, stb lángra lobbanhatnak.

- Hagyja, hogy a kipufogódob, a motor, a henger és a hűtőbordák lehűljenek, mielőtt megérintené őket.
- Távolítsa el a felgyűlt hulladékot a kipufogódob és a henger környékéről.
- A California Public Resources törvénykönyv 4442. fejezetének megsértésének minősül, ha a motort parlagon hagyott erdő, bokros vagy füves területen, illetve ezek mellett használja vagy üzemelteti, ha a kipufogórendszer nincs felszerelve megfelelő állapotban tartott szikrafogóval, a 4442. fejezet meghatározása szerint. Hasonló törvényeket más államok vagy szövetségi fennhatóság által tartozó területek is előírhatnak. Lépjen kapcsolatba az eredeti gyártóval, kiskereskedővel vagy viszonteladóval a jelen motor kipufogórendszeréhez meghatározott szikrafogó beszerzése érdekében.



FIGYELMEZTETÉS

A véletlen szikrázás tüzet vagy áramütést okozhat.

A véletlen beindítás belegabalyodást, sérüléssel amputációt vagy mély vágást okozhat.

Tűzveszély

Beállítások vagy javítások elvégzése előtt:

- Válassza le a gyújtógyertya vezetékét és tartsa távol a gyújtógyertyától.
- Válassza le az akkumulátort a negatív pólusnál (csak az elektromos indítású motorok esetében.)
- Csak megfelelő szerszámokat használjon.
- Ne állítsa át a szabályozórúgót, csatlakozásokat vagy más részeket a motor sebességének növelése érdekében.
- A pótalkatrészek legyenek ugyanolyan kivitelűek, mint az eredeti alkatrészek, valamint az eredeti alkatrészekkel megegyező helyzetben kell felszerelni azokat. Eltérő alkatrészek teljesítménye esetleg nem megfelelő, károsíthatják a készüléket, vagy sérülést okozhatnak.
- Ne üsse meg a lendkereket kalapáccsal vagy egyéb kemény tárggyal, mivel a lendkerék később összetörhet működés közben.

A szikraképződés ellenőrzésekor:

- Engedélyezett gyújtógyertya tesztet alkalmazzon.
- A szikraképződést ne ellenőrizze eltávolított gyújtógyertyával.

Funkciók és kezelőszervek

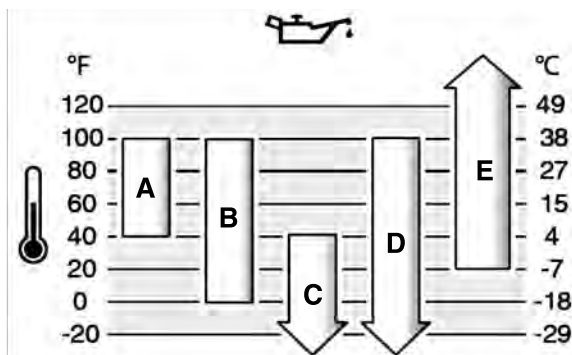
Motor kezelőszervei

Hasonlítsa össze az ábrát (1, 2, 3 ábra) a motorjával, hogy megismerkedjen a különböző funkciók és kezelőszervek elhelyezésével.

- A. Motorszám **Modell - Típus - Kódszám**
- B. Gyújtógyertya
- C. Levegőszűrő
- D. Berántózsínór fogantyúja (ha be van szerelve)
- E. Olajsztintjelző pálcá
- F. Olajleeresztő csavar
- G. Kipufogódob, kipufogódob védő (ha be van szerelve) szikrafogó (ha be van szerelve)
- H. Légbeszívó nyílás rácsa
- I. Légbeszívó nyílás rácsa
- J. Olajsztűrő (ha be van szerelve)
- K. Villamos indítómotor (ha van)
- L. Porlasztó
- M. Üzemanyagsztűrő (ha be van szerelve)
- N. Üzemanyag-szivattyú (ha be van szerelve)
- O. Gyors olajleeresztő tömlő (ha be van szerelve)
- P. Elektronikus vezérlőegység (ha be van szerelve)

A minél jobb teljesítmény érdekében használjon Briggs & Stratton szavatossággal jóváhagyott olajokat. Egyéb jó minőségű tisztító olajok is elfogadhatóak, amennyiben SF, SG, SH, SJ vagy magasabb szerviz besorolásúak. Ne használjon speciális adalékokat.

A környezeti hőmérséklet határozza meg a motor számára a megfelelő olaj viszkozitást. A táblázat segítségével válassza ki a legjobb olaj viszkozitást a várható külső hőmérséklet függvényében. A legtöbb kültéri berendezésben lévő motor jól működik 5W-30 szintetikus olajjal. A magas hőmérsékleten üzemeltetett berendezéseknél a Vanguard™ 15W-50 szintetikus olaj kínálja a legjobb védelmet.



A	SAE 30 - 40 ° F (4 ° C) alatt az SAE 30 használata nehéz indítást okoz.
B	10W-30 - 27°C (80°F) felett a 10W-30 használata megnövelt olajfogyasztást eredményezhet. Gyakrabban ellenőrizze az olajsztintet.
C	5W-30
D	Synthetic 5W-30 (Szintetikus 5W-30)
E	Vanguard™ Synthetic 15W-50

Motorvezérlési szimbólumok és jelentésük

Szimbólum	Jelentés	Szimbólum	Jelentés
	Motorfordulatszám - GYORS		Motorfordulatszám - LASSÚ
	Motorfordulatszám - LEÁLLÍTÁS		Be - Ki
	Motorindítás - szivató KI		Motorindítás - szivató BE
	Üzemanyagsapka Üzemanyag-elzáró csap - NYITVA		Üzemanyag-elzáró csap - ZÁRVA
	Üzemanyagsztint - Maximum Ne töltse túl		

Üzemeltetés

Az olajra vonatkozó javaslatok

Olajterfogat: Lásd a **Műszaki leírás** fejezetet.

MEGJEGYZÉS

A motort a Briggs & Stratton vállalat olaj nélkül szállította. Előfordulhat, hogy a berendezésgyártók, illetve forgalmazók olajat tettek a motorba. A motor első beindítása előtt győződjön meg, hogy a jelen útmutatóban lévő utasításoknak megfelelően ellenőrizze az olajsztintet és töltsön fel olajjal a készüléket. A motor olaj nélkül történő elindítása végzetes károsodást okoz, és a garancia elvesztését vonja maga után.

Olajsztint ellenőrzése

Lásd ábra: 4

Olaj betöltése és ellenőrzése előtt

- Ellenőrizze, hogy szintben van-e a motor.
- Tisztítsa meg az olajbetöltő nyílás környékét.

1. Húzza ki az olajsztintjelző pálcát (A, 4 ábra) és törölje le egy tiszta ronggyal.
2. Dugja vissza és húzza meg az olajsztintjelző pálcát (A, 4 ábra).
3. Húzza ki a szintjelző pálcát és ellenőrizze az olajsztintet. Az olajsztintjelző pálcá tele jelzés tetejéig (B, 4 ábra) töltsön bele olajat.
4. Ha alacsony az olajsztint, akkor lassan töltsön motorolajat a töltőnyílásba (C, 4 ábra). **Ne töltse túl.** Az olaj utántöltése után várjon egy percig, majd ellenőrizze újra az olajsztintet.

Megjegyzés: Ne a gyors olajleeresztőn keresztül töltsön be az olajat, ha be van szerelve. A helye a **Funkciók és kezelőszervek című részénél található meg.**

5. Dugja vissza az olajsztintjelző pálcát (A, 4 ábra).

Alacsony olajsztintet figyelő védőrendszer (ha be van szerelve)

Egyes motorok alacsony olajsztint érzékelővel vannak ellátva. Ha alacsony az olajsztint, akkor az érzékelő vagy aktivál egy figyelmeztető fényt vagy leállítja a motort. Állítsa le a motort, és a motor újraindítása előtt végezze el a következő lépéseket.

- Ellenőrizze, hogy szintben van-e a motor.
- Ellenőrizze az olajsztintet. Nézze meg az **Ellenőrizze az olajsztintet** című részt.
- Ha alacsony az olajsztint, akkor végezze el megfelelő mennyiségű olaj utántöltését. Indítsa be a motort és ellenőrizze, hogy nincs-e aktiválva a figyelmeztető fény (ha be van szerelve).
- Ha nem alacsony az olajsztint, akkor ne indítsa be a motort. Forduljon egy Briggs & Stratton egyik hivatalos márkaszervizéhez az olajprobléma megszüntetése érdekében.

Ajánlott üzemanyag-minőségek

Az üzemanyagnak meg kell felelni e követelményeknek:

- Tiszta, friss, ólommentes benzin.

- Az oktánszám legalább 87 legyen/87 AKI (91 RON). Nagy magasságban való működtetésnél, lásd alább.
- Maximum 10% etanolt (gazohol) tartalmazó benzint használható.

MEGJEGYZÉS Ne alkalmazzon nem engedélyezett benzineket, mint pl. az E15 és az E85. Ne keverjen olajat a benzinnel, illetve ne módosítsa a motort, hogy az alternatív üzemanyagokkal működjön. 1Olyan károkat okoz a jóvá nem hagyott üzemanyagok használata, melyekre nem terjed ki a garancia.

Kevertartószer-adalékot az üzemanyagba, hogy megővja az üzemanyagrendszert a gumilerakódástól. Lásd a **Tárolás** című rész. Az üzemanyagok nem egyformák. Ha gondolja támadnak az indítással vagy a teljesítménnyel kapcsolatban, váltson üzemanyag-beszállítót vagy üzemanyagmárkát. Benzinnel történő üzemeltetésre tanúsított e motor. EM (Engine Modifications). típusú e motor károsanyag-kibocsátást szabályozó rendszere.

Nagy magasságban történő használat

1524 méter (5000 láb) feletti magasságokban minimum 85-ös oktánszámú (85 AKI/89 RON) benzint használata elfogadható.

Porlasztóval rendelkező motorok esetén, nagy magasságban beállítás szükséges a teljesítmény megőrzése érdekében. E beállítás nélküli működtetés csökkenő teljesítményt, növekvő üzemanyag-fogyasztást és megnövekedett károsanyag-kibocsátást eredményez. Forduljon egy Briggs & Stratton hivatalos szakkereskedésbe a nagy magasságban történő használatához szükséges szabályozással kapcsolatban. Nem javasolt a motor üzemeltetése 762 méter (2500 láb) alatt a nagy magasságban történő használatához szabályozva.

Elektronikus üzemanyag-befecskendezéssel (EFI) rendelkező motorok esetén nem szükséges nagy magasságban beállítást végezni.

Üzemanyag betöltése

Lásd ábra 5



FIGYELMEZTETÉS Az üzemanyag és gőzei rendkívül gyúlékony és robbanásveszélyes anyagok.

A tűz vagy a robbanás komoly égési sérüléseket vagy halált okozhat.

Üzemanyag betöltések

- Kapcsolja ki a motort és hagyja lehűlni legalább 2 percig, mielőtt levonná az üzemanyagsapkát.
 - Az üzemanyagtartályt szabadban vagy jól szellőztetett helyen töltsen meg.
 - Ne töltsen túl az üzemanyagtartályt. A benzint tégulálásának lehetővé tételére ne töltsen a benzint az üzemanyagtartály nyakának alja fölé.
 - Az üzemanyagot tartsa távol szikráktól, nyílt lángtól, gyújtólángtól, hőtől és más tűzforrásoktól.
 - Rendszeresen ellenőrizze az üzemanyag-vezetékeket, a tartályt, tartálysapkát és szerelvényeket repedések vagy szivárgás szempontjából. Szükség esetén cserélje ki.
 - Ha az üzemanyag kiömlik, mielőtt beindítaná a motort, várja meg, amíg az üzemanyag elpárolog.
1. Tisztítsa meg az üzemanyagsapka környékét a kosztól és a szennyeződésektől. Vegye le a tanksapkát.
 2. Töltsen az üzemanyagot az üzemanyagtartályba (A, 5 ábra). A benzint tégulálásának lehetővé tételére ne töltsen a benzint az üzemanyagtartály nyakának (B) fölé.
 3. Tegye vissza az üzemanyagtartály-sapkát.

A motor beindítása és leállítása

Lásd ábra: 6

A motor beindítása



FIGYELMEZTETÉS A berántózsínor gyors visszahúzása (visszarugás) gyorsabban rántja vissza a kezét és karját a motor felé, mint ahogyan el tudja engedni.

Ez csonttörést, roncsolást, zúzódást vagy ficamodást okozhat.

- A motor indításakor lassan húzza a berántózsínort, amíg ellenállást nem érez, majd hirtelen rántsa meg, hogy elkerülje a visszahúgást.



FIGYELMEZTETÉS Az üzemanyag és gőzei rendkívül gyúlékonyak és robbanásveszélyesek.

A tűz vagy a robbanás komoly égési sérüléseket vagy halált okozhat.

A motor beindításakor

- Győződjön meg, hogy a gyújtógyertya, kipufogódob, üzemanyagotöltő sapka és levegőszűrő (ha be van szerelve) a helyükön és rögzítve vannak-e.
- Ne indítsa be a motort, ha a gyújtógyertya nincs a helyén.
- Ha a motor túlfolyik, a szivatót (ha be van szerelve) állítsa NYITVA / MŰKÖDÉS állásba, a gázsabályozót (ha be van szerelve) állítsa GYORS állásba, majd indítsa be a motort.



FIGYELMEZTETÉS **MÉRGEZŐ GÁZ VESZÉLYE.** A motor kipufogógáza szén-monoxidot tartalmaz, egy mérgező gázt, amely percek alatt halálos mérgezést okozhat. A szén-monoxid NEM látható, szagtalan és íztelen. Még ha nem is érzi a kipufogógázt, akkor is ki lehet tette a szén-monoxid gáz hatásának. Ha hányingere van, szédül vagy gyengének érzi magát a termék használata közben, kapcsolja ki és AZONNAL menjen friss levegőre. Forduljon orvoshoz. Előfordulhat, hogy szén-monoxid mérgezése van.

- KIZÁRÓLAG ablakoktól, ajtóktól és szellőzőnyílásoktól távol, a szabadban működtesse a terméket, hogy csökkentse a szén-monoxid gáz felgyülemeléséből és esetlegesen emberi tartózkodásra szolgáló hely felé áramlásából származó veszélyt.
- A gyártó utasításai szerint végezze az elemmel működő szén-monoxid riasztók vagy a tartálek elemmel ellátott bedugható szén-monoxid riasztók telepítését. A füstérzékelők nem észlelik a szén-monoxid gázt.
- NE üzemeltesse a terméket lakóépületekben, garázsokban, pincékben, szervizcsatornáknak, fészerekben vagy más, részben zárt helyiségekben, még akkor se, ha ventilátorokat vagy nyitott ajtókat és ablakokat használja szellőztetéshez. A szén-monoxid gyorsan képes felhalmozódni ezeken a helyeken és órákon át fennmaradhat, még a készülék kikapcsolása után is.
- MINDIG a hátszél irányába ill. úgy fordítsa e terméket, hogy ne áramoljon emberi tartózkodásra szolgáló hely felé a kipufogógáz.

MEGJEGYZÉS A motor olaj nélkül kerül szállításra a Briggs & Stratton vállalatától. A motor beindítása előtt győződjön meg, hogy a jelen útmutatóban lévő utasításoknak megfelelően töltsen fel olajjal a készüléket. A motor olaj nélkül történő elindítása végzetes károsodást okoz, és a garancia elvesztését vonja maga után.

Az indítórendszer megállapítása

A motor beindítása előtt meg kell állapítania motorja indítórendszerét. A következő típusú indítórendszerek egyikével rendelkezik a motorja.

- **ReadyStart® rendszer:** Hőmérséklet-szabályozással ellátott automatikus szivatóval rendelkezik. E típus nem rendelkezik indító befecskendező szivattyúval.
- **Elektronikus üzemanyag-ellátó rendszer:** Jellemzője az Elektronikus üzemanyag-ellátó rendszer, mely figyelmeztető és a hőmérsékleti viszonyokat. E típus nem rendelkezik kézi működtetésű szivatóval vagy indító befecskendező szivattyúval.
- **Szivatórendszer:** A szivató használata szükséges alacsony hőmérsékleteken történő indítás esetén. Egyes modellek különálló szivatókarral, míg mások szivató / gázsabályozó kombinációval rendelkeznek. E típus nem rendelkezik indító befecskendező szivattyúval.

A motorja indításához, kövesse az indítási rendszerének megfelelő útmutatásokat.

Megjegyzés: Egyes berendezések távvezérlővel lehetnek ellátva. A távvezérlő helyének és működésének ismertetését a berendezés útmutatójában találja meg.

ReadyStart® rendszer

1. Ellenőrizze a motor olajszintjét. Lásd az **Olajszint ellenőrzése** című rész.
2. Ellenőrizze a berendezés hajtásszabályozóit, ha be vannak szerelve, hogy szét vannak-e kapcsolva.
3. Az üzemanyag-elzáró csapot (A, 6 ábra), ha be van szerelve, fordítsa a NYITVA állásba.
4. Állítsa a gázsabályozót (B, 6 ábra), ha be van szerelve, a GYORS állásba. A motort a GYORS állásban üzemeltesse.

Megjegyzés: Alacsony hőmérsékleten (32° F alatt) állítsa a kombinált szivató / gázsabályozó kart (B C, 6 ábra) a szivató állásba.

5. **Indítókulcs, ha be van szerelve:** Fordítsa az indítókulcsot (D, 6 ábra) a BE / INDÍTÁS állásba.

Indítás/leállítás gomb, ha be van szerelve: Nyomja meg az Indítás/leállítás gombot (F, 6 ábra).

MEGJEGYZÉS Az indítómotor élettartamának meghosszabbítása érdekében rövid indítási ciklusokat alkalmazzon (maximum öt másodperc). Az indítási ciklusok között tartson egy perc szünetet.

Megjegyzés: Ha többszöri kísérlet után sem indul be a motor, akkor keresse fel a **BRIGGSandSTRATTON.com** című webhelyet vagy hívja a **1-800-233-3723** telefonszámot (az Egyesült Államokban).

Elektronikus üzemanyag-ellátó rendszer

1. Ellenőrizze a motor olajszintjét. Lásd az **Olajszint ellenőrzése** című rész.
2. Ellenőrizze a berendezés hajtásszabályozóit, ha be vannak szerelve, hogy szét vannak-e kapcsolva.
3. Az üzemanyag-elzáró csapot (A, 6 ábra), ha be van szerelve, fordítsa a NYITVA állásba.
4. Állítsa a gázsabályozót (B, 6 ábra), ha be van szerelve, a GYORS állásba. A motort a GYORS állásban üzemeltesse.
5. **Rugóerős indítás, ha be van szerelve:** Fordítsa az indítókulcsot (D, 6 ábra) a BE / INDÍTÁS állásba.
6. **Rugóerős indítás, ha be van szerelve:** Szorosan fogja meg a berántózsínór fogantyúját (E, 6 ábra). Lassan húzza a berántózsínórt, amíg ellenállást nem érez, majd hirtelen rántsa meg.



FIGYELMEZTETÉS

A berántózsínór gyors visszahúzása (visszarugás) a vártól gyorsabban ránthatja a kezét és karját a motor felé. Ez csonttörést, roncsolást, zúzódást vagy ficamodást okozhat. A motor indításakor lassan húzza a berántózsínórt, amíg ellenállást nem érez, majd hirtelen rántsa meg, hogy elkerülje a visszarugást.

7. **Elektromos indítás, ha be van szerelve:** Fordítsa az indítókulcsot (D, 6 ábra) a BE/INDÍTÁS állásba.

MEGJEGYZÉS Az indítómotor élettartamának meghosszabbítása érdekében rövid indítási ciklusokat alkalmazzon (maximum öt másodperc). Az indítási ciklusok között tartson egy perc szünetet.

Megjegyzés: Ha többszöri kísérlet után sem indul be a motor, akkor keresse fel a **BRIGGSandSTRATTON.com** című webhelyet vagy hívja a **1-800-233-3723** telefonszámot (az Egyesült Államokban).

Szívatórendszer

1. Ellenőrizze a motor olajszintjét. Lásd az **Olajszint ellenőrzése** című rész.
2. Ellenőrizze a berendezés hajtásszabályozóit, ha be vannak szerelve, hogy szét vannak-e kapcsolva.
3. Az üzemanyag-elzáró csapot (A, 6 ábra), ha be van szerelve, fordítsa a NYITVA állásba.
4. Állítsa a gázsabályozót (B, 6 ábra), ha be van szerelve, a GYORS állásba. A motort a GYORS állásban üzemeltesse.
5. Állítsa a szívatókart (C, 6 ábra) a ZÁRVA állásba. Kombinált szívató / gázsabályozó (B C) karral rendelkező modellek esetén állítsa a SZÍVATÁS állásba a kart.

Megjegyzés: Meleg motor újraindításához általában nincs szükség a szívatóra.

6. **Rugóerős indítás, ha be van szerelve:** Fordítsa az indítókulcsot (D, 6 ábra) a BE / INDÍTÁS állásba.
7. **Rugóerős indítás, ha be van szerelve:** Szorosan fogja meg a berántózsínór fogantyúját (E, 6 ábra). Lassan húzza a berántózsínórt, amíg ellenállást nem érez, majd hirtelen rántsa meg.



FIGYELMEZTETÉS

A berántózsínór gyors visszahúzása (visszarugás) a vártól gyorsabban ránthatja a kezét és karját a motor felé. Ez csonttörést, roncsolást, zúzódást vagy ficamodást okozhat. A motor indításakor lassan húzza a berántózsínórt, amíg ellenállást nem érez, majd hirtelen rántsa meg, hogy elkerülje a visszarugást.

8. **Elektromos indítás, ha be van szerelve:** Fordítsa az indítókulcsot (D, 6 ábra) a BE / INDÍTÁS állásba.

MEGJEGYZÉS Az indítómotor élettartamának meghosszabbítása érdekében rövid indítási ciklusokat alkalmazzon (maximum öt másodperc). Az indítási ciklusok között tartson egy perc szünetet.

9. Amint a motor felmelegedett állítsa a szívatókart (C, 6 ábra) a NYITVA állásba. Kombinált szívató/gázsabályozó (B C) karral rendelkező modellek esetén állítsa a GYORS állásba a kart.

Megjegyzés: Ha többszöri kísérlet után sem indul be a motor, akkor keresse fel a **BRIGGSandSTRATTON.com** című webhelyet vagy hívja a **1-800-233-3723** telefonszámot (az Egyesült Államokban).

A motor leállítása



FIGYELMEZTETÉS



Az üzemanyag és gőzei rendkívül gyúlékonyak és robbanásveszélyesek.

A tűz vagy a robbanás komoly égési sérüléseket vagy halált okozhat.

- Ne szívassa túl a porlasztót a motor leállítása céljából.

1. **Indítókulcs, ha be van szerelve:** Állítsa a gázsabályozót a GYORS állásba, fordítsa az indítókulcsot (D, 6 ábra) a KI állásba. Vegye ki a kulcsot és őrizze gyermekektől elzárva egy biztonságos helyen.
Indítás / leállítás gomb, ha be van szerelve: Amikor a gázsabályozó a GYORS állásban van, akkor nyomja meg az Indítás / leállítás gombot (F, 6 ábra).
2. Miután leállt a motor az üzemanyag-elzáró csapot (A, 6 ábra), ha be van szerelve, fordítsa ZÁRVA állásba.

Karbantartás

MEGJEGYZÉS Ha tároláskor megdönti a motort, ha a motorra van szerelve az üzemanyagtartály, akkor ki kell ürítenie azt és a gyújtógyertyának felfelé kell néznie. Ha az üzemanyagtartály nem üres és a motor más irányban van megdöntve, nehezzé válhat a motor beindítása, mivel az olaj vagy a benzin beszennyezi a légszűrőt és/vagy a gyújtógyertyát.



FIGYELMEZTETÉS

Ha olyan karbantartást végez, mely az egység megdöntését igényli, akkor az üzemanyagtartálynak üresnek kell lennie ellenkező esetben kifolyhat az üzemanyag és tüzet vagy robbanást okoz.

Javasoljuk, hogy a motor és motor alkatrészek bármely karbantartását és szervizelését Hivatalos Briggs & Stratton szervizállomáson végeztesse.

MEGJEGYZÉS Minden alkatrésznek, melyet ebbe a motorba építettek a helyén kell maradnia a megfelelő működés érdekében.



FIGYELMEZTETÉS



Véletlen szikraképződés tüzet vagy áramütést okozhat.

A véletlen beindítás belegabalyodást, sérüléssel amputációt vagy zúzódást okozhat.

Tűzveszély

Beállítások vagy javítások végzése előtt:

- Csatlakoztassa le a gyújtógyertya vezetéket és tartsa távol a gyújtógyertyától.
- Bontsa az akkumulátor csatlakozását a negatív pólusnál (csak elektromos indítással rendelkező motorok esetében.)
- Csak megfelelő szerszámokat használjon.
- Tilos állítani a gázadagoló rugóját, a karokat és egyéb alkatrészeket a motor fordulatszámának fokozása érdekében.
- A pótalkatrészek legyenek ugyanolyan kivitelűek, mint az eredeti alkatrészek, valamint az eredeti alkatrészekkel megegyező helyzetben kell felszerelni azokat. Más alkatrészek teljesítménye nem megfelelő lehet, a készülék károsodását vagy sérülést okozhatnak.
- Ne üsse meg a lendkereket kalapáccsal vagy egyéb kemény tárggyal, mivel a lendkerék később működés közben összetörhet.

Gyújtás ellenőrzésekor:

- Engedélyezett gyújtógyertya tesztet alkalmazzon.
- A szikraképződést ne ellenőrizze kivett gyújtógyertyával.

Károsanyag-kibocsátást szabályozó rendszer szervizelése

A károsanyag-kibocsátást szabályozó eszközök és rendszerek karbantartását, cseréjét vagy javítását bármelyik nem közúti motorok javításával foglalkozó cég vagy személy elvégezheti. Azonban a "díjmentes" károsanyag-kibocsátást szabályozó rendszer szervizelés érdekében hivatalos szervizállomáshoz kell fordulnia. Lásd a Károsanyag-kibocsátási nyilatkozatot.

Karbantartási táblázat

Első 5 üzemóra
<ul style="list-style-type: none">• Olajcsere ³
8 óránként vagy naponta
<ul style="list-style-type: none">• Ellenőrizze az olajszintet.• Tisztítsa meg a kipufogódob és a kezelőszervek körüli területet.• Tisztítsa meg a légbeszívó nyílás rácsát.
25 óránként vagy évente
<ul style="list-style-type: none">• Tisztítsa meg a levegőszűrőt ¹.• Tisztítsa meg az előtétiszűrőt (ha be van szerelve) ¹
50 óránként vagy évente
<ul style="list-style-type: none">• Olajcsere ⁴• Olajszűrő cseréje (ha be van szerelve) ⁴• Végezze el a kipufogó rendszer szervizelését.
100 óránként vagy évente
<ul style="list-style-type: none">• Olajcsere ⁵• Olajszűrő cseréje (ha be van szerelve) ⁵
Évente
<ul style="list-style-type: none">• Cserélje ki a gyújtógyertyát.• Cserélje ki a levegőszűrőt.• Cserélje ki az előtétiszűrőt (ha be van szerelve)• Cserélje ki az üzemanyagszűrőt (ha be van szerelve).• Végezze el a kipufogó rendszer szervizelését.• Hűtőrendszer szervizelése ¹.• Ellenőrizze a szelephézagot ².

¹ Poros környezetben vagy amikor levegőből származó nyersedék van jelen, akkor gyakrabban tisztítsa meg.

² Nem szükséges, ha csak motorteljesítmény problémákat nem észlelt.

³ Csak olajszűrő nélküli motorok esetében.

⁴ Olajszűrő nélküli vagy normál fekete színű olajszűrővel rendelkező motor esetében (lásd **Műszaki jellemzők** című oldal, ahol az alkatrészszám található).

⁵ Nagy hatékonyságú sárga vagy narancsszínű olajszűrővel rendelkező motor esetében (lásd **Műszaki jellemzők** című oldal, ahol az alkatrészszám található).

Elektronikus üzemanyag-ellátó rendszer

Az Elektronikus üzemanyag-ellátó rendszer ellenőrzi a motor hőmérsékletét, a motor fordulatszámát és az akkumulátor feszültségét a szivató állítása céljából a motor beindítása és a bemelegedés során. Nincsenek állítási lehetőségek a rendszerben. Indítási vagy működési problémák esetén forduljon az egyik hivatalos Briggs & Stratton szervizállomáshoz.

MEGJEGYZÉS Ügyeljen az alábbi lépésekben foglalt betartására, ellenkező esetben károsodhat az Elektronikus üzemanyag-ellátó rendszer.

- Sohase indítsa be a motort, ha lazák az akkumulátorkábel csatlakozásai.
- Fordítsa KI állásba az indítókulcsot az akkumulátorkábelek csatlakozásainak bontása, az akkumulátor ki- vagy beszerelése előtt.
- Sohase használjon akkumulátortöltőt a motor beindítására.
- Sohase bontsa az akkumulátorkábelek csatlakozóit, amikor működik a motor.
- Az akkumulátorkábelek csatlakoztatásakor először a pozitív (+), majd a negatív (-) kábelt csatlakoztassa az akkumulátorhoz.
- Az akkumulátor töltésekor fordítsa KI állásba az indítókulcsot és bontsa a negatív (-) akkumulátorkábel akkumulátor csatlakozását.
- Ne fecskendezzen vizet közvetlenül az elektronikus vezérlőegységre.

Porlasztó és motorfordulatszám

Sohase végezzen porlasztó és motorfordulatszám beállítást. Gyárilag történt a porlasztó beállítása annak érdekében, hogy a legtöbb körülmény esetén hatékonyan működjön. Tilos állítani a gázadagoló rugóját, a karokat és egyéb alkatrészeket a motor fordulatszámának növelése érdekében. Ha bármilyen beállítás szükséges, akkor forduljon egy Hivatalos Briggs & Stratton szervizállomáshoz.

MEGJEGYZÉS A berendezés gyártója megadja a maximális motorfordulatszámot a berendezésre történő telepítések. **Ne lépje túl** ezt a fordulatszámot. Ha nem biztos a berendezés maximális fordulatszámában vagy gyárilag történt a motorfordulatszám beállítása, akkor támogatásért forduljon az egyik Hivatalos Briggs & Stratton szervizállomáshoz. A berendezés biztonságos és megfelelő működése érdekében kizárólag szakképzett szerviztechnikus végezheti a motorfordulatszám beállítását.

Végezze el a gyújtógyertya szervizelését.

Lásd ábra: 7

Résmérővel (B) ellenőrizze a hézagot (A, 7 ábra). Ha szükséges, akkor állítsa vissza a hézagot Szerelje be és az ajánlott nyomattékkal húzza meg a gyújtógyertyát Hézag beállításához vagy a nyomattékhoz lásd a **Műszaki jellemzők** című részt.

Megjegyzés: *Bizonyos helyeken a helyi törvények megkívánják az ellenállással szerelt gyújtógyertya használatát a zavarójelek elnyomása végett Ha ez a motor eredetileg is előtét ellenállással szerelt gyújtógyertyával volt ellátva, csakis az azonos típusút használja csere esetén.

A kipufogó rendszer eltávolítása



A járó motorok hőt termelnek. A motor alkatrészek, különösen a kipufogódob rendkívül felforrósodnak.

Ha hozzáérnek, komoly égési sérülések keletkezhetnek.

A gyúlékony hulladék, pl. lomb, fű, cserje stb. meggyulladhatnak.

- Hagyja, hogy a kipufogódob, a henger és a hűtőbordák lehűljenek, mielőtt megérintené őket.
- Távolítsa el a felgyült hulladékokat a kipufogódob és a henger környékéről.
- A California Public Resources törvény 4442. fejezetének megsértésének minősül, ha a motort parlagon hagyott erdős, bokros vagy füves területen, illetve ezek mellett sérülések Szerelje le a szikrafogót, ha be van szerelve, és ellenőrizze a sérüléseit vagy a széntől származó eltömődését Ha sérülést talál, akkor üzemeltetés előtt szerelje be a pótkatrészt.

Távolítsa el a felgyült hulladékokat a kipufogódob és a henger környékéről. Ellenőrizze a kipufogódobot, hogy nincsenek-e rajta repedések, korróziós károsodások vagy más sérülések Szerelje le a szikrafogót, ha be van szerelve, és ellenőrizze a sérüléseit vagy a széntől származó eltömődését Ha sérülést talál, akkor üzemeltetés előtt szerelje be a pótkatrészt.



FIGYELMEZTETÉS A pótkatrészek legyenek ugyanolyan kivitelűek, mint az eredeti alkatrészek, valamint az eredeti alkatrészekkel megegyező helyzetben kell felszerelni azokat. Más alkatrészek teljesítménye nem megfelelő lehet, a készülék károsodását vagy sérülést okozhatnak.

Cserélje ki a motorolajat

Lásd ábra: 8, 9, 10, 11

A használt olaj veszélyes hulladék, gondoskodni kell a megfelelő elhelyezéséről. Ne dobja ki a háztartási szeméttel együtt. Tájékozódjon a helyi önkormányzatnál, szervizközpontnál vagy szakkereskedésnél a biztonságos gyűjtő-/újrahasznosító telepekről.

Olaj leeresztése

1. Kikapcsolt, de még meleg motornál, bontsa a gyújtógyertya kábel csatlakozását (D, 8 ábra) és tartsa távol a gyújtógyertyától (E).
2. Húzza ki az olajszintjelző pálcát (A, 9 ábra).

Olajleeresztő csavar, ha be van szerelve

1. Csavarja ki az olajleeresztő csavart (F, 10 ábra). Az olajat egy engedélyezett tartályba engedje le.

Megjegyzés: Bármely az ábrán szereplő olajleeresztő csavartípus (G, 10 ábra) beszerelhető a motorba.

2. Az olaj leeresztése után csavarja vissza és húzza meg az olajleeresztő csavart (F, 10 ábra).

Gyors olajleeresztő, ha be van szerelve

1. Bontsa a gyors olajleeresztő tömlőnek a (H, 11 ábra) motor oldalán található csatlakozását.
2. Fordítsa el és vegye le az olajleeresztő sapkát (I, 11 ábra). Körültekintően erressze le a gyors olajleeresztő tömlőt (H) egy jóváhagyott tartályba (J).
3. Az olaj leeresztése után csavarja vissza és húzza meg az olajleeresztő sapkát (I, 11 ábra). Csatlakoztassa a gyors olajleeresztő tömlőt a (H, ábra) motor oldalán található csatlakozóhoz.

Az olajsűrű cseréje, ha be van építve

Egyes modellek olajsűrűvel vannak ellátva. A csere időközével kapcsolatban lásd a **Karbantartási táblázat**at.

1. Erressze le az olajat a motorból. Lásd az **Olaj leeresztése** című részt.
2. Szerelje ki az olajsűrűt (K, 9 ábra) és gondoskodjon a megfelelő hulladékkénti elhelyezéséről.
3. Az új olajsűrű felhelyezése előtt kenje be az olajsűrű tömítőgyűrűjét egy kevés friss, tiszta olajjal.
4. Kézzel helyezze fel az olajsűrűt, amíg a tömítőgyűrű a szűrőadapterhez ér, majd 1/2-3/4 fordulattal húzza be az olajsűrűt.
5. Öntse be az olajat. Lásd **Olaj utántöltése** című részt.
6. Indítsa be és járassa a motort. Amikor a bemelegedett a motor, akkor olajszivárgás szempontjából ellenőrizze.
7. Állítsa le a motort és ellenőrizze az olajszintet. Az olajszintjelző pálca tele jelzés tetejéig (B, 9 ábra) töltsön bele olajat.

Olaj betöltése

- Ellenőrizze, hogy szintben van-e a motor.
- Tisztítsa meg az olajbetöltő nyílás környékét.
- Az olajkapacitással kapcsolatban a **Műszaki adatok** című részt nézze meg.

1. Húzza ki az olajszintjelző pálcát (A, 9 ábra) és törölje le egy tiszta ronggyal.
2. Lassan töltsön olajat az olajtöltő nyílásba (C, 9 ábra). **Ne töltse túl.** Az olaj betöltése után várjon egy percet, majd ellenőrizze az olajszintet.

Megjegyzés: Ne a gyors olajleeresztőn keresztül töltsön be az olaja (H, 11 ábra), ha be van szerelve.

3. Dugja vissza és húzza meg az olajszintjelző pálcát (A, 9 ábra).
4. Húzza ki a szintjelző pálcát és ellenőrizze az olajszintet. Az olajszintjelző pálca tele jelzés tetejéig (B, 9 ábra) töltsön bele olajat.
5. Dugja vissza az olajszintjelző pálcát (A, 9 ábra).
6. Csatlakoztassa gyújtógyertya vezetékét (D, 8 ábra) a gyújtógyertyához (E).

Levegősűrű szervizelése

Lásd ábra: 12, 13



FIGYELMEZTETÉS Az üzemanyag és gőzei rendkívül gyúlékony és robbanásveszélyes anyagok.

A tűz vagy a robbanás komoly égési sérüléseket vagy halált okozhat.

- Soha ne indítsa vagy járassa a motort, ha a előtétzsűrű (ha be van szerelve) vagy a levegősűrű (ha be van szerelve) nincs a helyén.

MEGJEGYZÉS A szűrő tisztításához ne alkalmazzon sűrített levegőt vagy oldószereket. A sűrített levegő a szűrő meghibásodását, míg az oldószerek a szűrő anyagának oldását okozhatják.

A szervizkövetelmények a **Karbantartási táblázat** című részben találhatóak.

Szivacsos vagy papírsűrűt használnak a különböző modellek. Egyes modellek még egy mosható és újrahazználható előtétzsűrűvel vannak ellátva. Hasonlítsa össze ezen útmutatót a motorjában használt típussal és ennek megfelelően végezze a szervizelést.

Papír levegősűrű

1. Húzza felfelé a fedél fogantyúját (A, 12 ábra). Fordítsa el a motor felé a fedél fogantyúját, majd vegye le a fedelet (B).
2. Vegye ki az előszűrőt (C, 12 ábra) a szűrőből (D).
3. A szennyeződés megelazításához óvatosan ütögesse a szűrőt (D, 12 ábra) egy kemény felülethez. Ha a szűrő túlságosan piszkos, cserélje ki új szűrőre.
4. Mossa ki az előszűrőt (C, 12 ábra) folyékony mosószeres vízben. Levegőn alaposan kiszáritsa az előszűrőt (C). **Ne** olajozza az előszűrőt.
5. Szerelje vissza az előszűrőt (C, 12 ábra) és a szűrőt (D) a motortartóra (E).
6. Igazítsa a fedél (B) füleit (F, 12 ábra) a ventilátorház nyílásokhoz (G).
7. Fordítsa visszafelé a fedél fogantyúját (A, 12 ábra), majd nyomja a reteszt a helyére.

Papír levegősűrű

1. Lazítsa meg a rögzítőket (A, 13 ábra).
2. Szerelje le a fedelet (B, 13 ábra).
3. A szűrő kiszéréséhez (C, 13 ábra) emelje meg a szűrő végét, majd húzza ki a szűrőt a légbeszívó nyílásból (D).
4. A szennyeződés megelazításához óvatosan ütögesse a szűrőt (C, 13 ábra) egy kemény felülethez. Ha a szűrő túlságosan piszkos, cserélje ki új szűrőre.
5. Vegye ki az előszűrőt (E, 13 ábra), ha be van szerelve, a szűrőből (C).
6. Mossa ki az előszűrőt (E, 13 ábra), ha be van szerelve, folyékony mosogatószeres vízben. Hagyja alaposan kiszáradni a levegősűrűt. **Ne** olajozza az előszűrőt.
7. Tegye vissza a száraz előszűrőt (E, 13 ábra), ha be van szerelve, a szűrőbe (C).
8. Szerelje vissza a levegősűrőt (C, 13 ábra) a légbeszívó nyílásba (D). Nyomja lefelé a szűrő végét a motortartóba. Ellenőrizze, hogy a szűrő szilárdan illeszkedik-e a motortartóba.
9. Szerelje fel a levegősűrű fedelet (B, 13 ábra) és rögzítse csavarral, illetve csavarokkal (A).

Az üzemanyag-ellátó rendszer szervizelése

Lásd ábra: 14, 15



FIGYELMEZTETÉS Az üzemanyag és gőzei rendkívül gyúlékony és robbanásveszélyes anyagok.

A tűz vagy a robbanás komoly égési sérüléseket vagy halált okozhat.

- Az üzemanyagot tartsa távol szikráktól, nyílt lángtól, gyújtólángtól, hőtől és más tűzforrásoktól.
- Rendszeresen ellenőrizze az üzemanyag-vezetékeket, a tartályt, tartálysapkát és szerelvényeket repedések vagy szivárgás szempontjából. Szükség esetén cserélje ki.
- Mielőtt üzemanyagsűrűt tisztít vagy cserél engedje le az üzemanyagtartály tartalmát, vagy zárja el az üzemanyag-elzáró csapot.
- Ha az üzemanyag kiömlik, mielőtt beindítaná a motort, várja meg, amíg az üzemanyag elpárolog.
- A pótkatrészeknek ugyanolyanoknak kell lenniük, és ugyanarra a helyre kell beszerelni azokat, mint az eredeti alkatrészeket.

Üzemanyagsűrű, ha be van szerelve

1. Mielőtt üzemanyagsűrűt (A, 14 ábra) tisztít vagy cserél engedje le az üzemanyagtartály tartalmát, vagy zárja el az üzemanyag-elzáró csapot. Másikülönben kiszivároghat az üzemanyag és tüzet vagy robbanást okoz.
2. Fogót használjon a kapcsolon lévő fülek (B, 14 ábra) összenyomására, majd a csapokat csúsztassa el az üzemanyagsűrűtől (A). Csavarja meg és húzza el az üzemanyagsűrűtől az üzemanyag-vezetékeket (D).
3. Repedések és szivárgások szempontjából ellenőrizze az üzemanyag-vezetékeket (D, 14 ábra). Szükség esetén cserélje ki.
4. Az eredetivel megegyező típusúra cserélje ki az üzemanyagsűrűt (A, 14 ábra).
5. Az ábrának megfelelően bilincsekkel (C) rögzítse az üzemanyag-vezetékeket (D, 14 ábra).

Üzemanyagszűrő (ha be van szerelve)

1. Vegye le az üzemanyag-tartály sapkát (A, 15 ábra).
2. Vegye az üzemanyag-durvaszűrőt (B, 15 ábra).
3. Ha szennyezett az üzemanyag-durvaszűrő, akkor tisztítsa meg vagy cserélje ki. Az üzemanyag-durvaszűrő cseréjénél ügyeljen arra, hogy az eredetivel megegyező típusú üzemanyag-durvaszűrőt használjon.

A hűtőrendszer szervizelése



FIGYELMEZTETÉS

A járó motorok hőt termelnek. A motor alkatrészek, különösképpen a kipufogódob rendkívül felforrósodnak.

Ha hozzáérnek, komoly égési sérülések keletkezhetnek.

A gyúlékony hulladékok, pl. lomb, fű, cserje stb. meggyulladhatnak.

- Hagyja, hogy a kipufogódob, a henger és a hűtőbordák lehűljenek, mielőtt megérintené őket.
- Távolítsa el a felgyűlt hulladékokat a kipufogódob és a henger környékéről.

MEGJEGYZÉS Vízet ne használjon a motor tisztításához. A víz szennyezheti az üzemanyag-ellátó rendszert. Kefét vagy száraz kendőt használjon a motor tisztításához.

Ez egy léghűtéses motor. A szennyeződés vagy a nyeresék akadályozhatja a légáramlást és a motor túlmelegedését okozhatja, mely gyengébb teljesítményt és rövidebb motor élettartamot okoz.

1. Egy kefével vagy száraz rongyot használjon a nyeresék légbeszívó területéről való eltávolítására.
2. Tartsa tisztán a kapcsoló rugókat és a kezelőszerveket.
3. A kipufogódob körüli és mögötti területet tartsa tisztán a gyúlékony nyereséktől.
4. Ellenőrizze, hogy mentesek-e az olajhűtő bordák a szennyeződéstől és a nyereséktől.

Egy idő elteltével a henger hűtőbordáin nyeresék gyűlhet össze és a motor túlmelegedését okozza. Ez a nyeresék a motor részleges szétszerelése nélkül nem tisztítható le. Egy hivatalos Briggs & Stratton szervizállomáson ellenőriztesse és tisztítsa meg a léghűtő rendszert, ahogyan a **Karbantartási táblázatban** ajánlják.

Tárolás



FIGYELMEZTETÉS

Az üzemanyag és annak kipárolgása rendkívül gyúlékony és robbanékony.

A tűz vagy robbanás súlyos égési sérüléseket vagy halált okozhat.

Üzemanyag vagy olyan berendezés tárolásakor, amelynek üzemanyagtartályában üzemanyag van

- Tárolja távol kazánoktól, tűzhelyektől, vízmelegítőktől vagy más olyan berendezésektől, amelyek gyújtólánggal vagy más gyújtószerszeggel vannak ellátva, mivel ezek meggyújthatják az üzemanyag kipárolgást.

Üzemanyagrendszer

Lásd az ábrán: 16

A motort vízszintes helyzetben tárolja (normál üzemi pozícióban). Töltse meg az üzemanyagtartályt (A, ábra 16) üzemanyaggal. Az üzemanyag tárolása érdekében ne töltsön üzemanyagot az üzemanyag betöltő nyílás nyaka (B) fölé.

Az üzemanyag állottá válhat, ha 30 napnál tovább tárolja. Az állott üzemanyag sav- és kátránylerakódást okoz az üzemanyag-ellátó rendszerben vagy a porlasztó fontos alkatrészein. Az üzemanyag frissen tartásához használjon **Briggs & Stratton Speciális formulájú üzemanyag kezelő és stabilizáló adalékot**, amelyet a Briggs & Stratton eredeti alkatrészeket értékesítő helyeken árulnak.

Nem szükséges leereszteni a benzint a motorból, ha üzemanyag-stabilizáló adalékot adott hozzá az utasításoknak megfelelően. Járassa a motort két (2) percen keresztül, hogy a stabilizáló adalék körbejárjon az üzemanyagrendszerben tárolás előtt.

Ha a motorban lévő benzint nem kezelték üzemanyag-stabilizáló adalékkal, akkor azt le kell engedni egy jóváhagyott tárolóedénybe. Addig járassa a motort, amíg az le nem áll üzemanyag hiányában. A frissesség megőrzéséhez javasolt az üzemanyag-stabilizáló adalék használata a tárolótartályban.

Motorolaj

Amíg még meleg a motor cseréljen motorolajat. Lásd a **Cserélje ki a motorolajat** című részt.

Hibakeresés

Segítségért forduljon a helyi viszonteladójához, keresse fel az **BRIGGSandSTRATTON.com** vagy hívja az **1-800-233-3723** (az Egyesült Államokban).

Műszaki adatok

Modell: 210000	
Lökettérfogat	21.01 ci (344 cc)
Hengerfurat	3.437 in (87,30 mm)
Lökethossz	2.264 in (57,51 mm)
Olajtérfogat - szűrő nélkül	42 - 44 oz (1,24 - 1,30 L)
Olajtérfogat - szűrővel	46 - 48 oz (1,36 - 1,40 L)
Gyertyahézag	0.030 in (0,76 mm)
Gyújtógyertya nyomaték	180 lb-in (20 Nm)
Forgórész légrés	0.010 - 0.014 in (0,25 - 0,36 mm)
Szívószelep hézag	0.003 - 0.005 in (0,08 - 0,13 mm)
Kipufogószelep hézag	0.005 - 0.007 in (0,13 - 0,18 mm)

Modell: 310000	
Lökettérfogat	30.59 ci (501 cc)
Hengerfurat	3.563 in (90,49 mm)
Lökethossz	3.062 in (77,77 mm)
Olajtérfogat - szűrő nélkül	42 - 44 oz (1,24 - 1,30 L)
Olajtérfogat - szűrővel	46 - 48 oz (1,36 - 1,40 L)
Gyertyahézag	0.030 in (0,76 mm)
Gyújtógyertya nyomaték	180 lb-in (20 Nm)
Forgórész légrés	0.010 - 0.014 in (0,25 - 0,36 mm)
Szívószelep hézag	0.003 - 0.005 in (0,08 - 0,13 mm)
Kipufogószelep hézag	0.005 - 0.007 in (0,13 - 0,18 mm)

A tengerszint felett 300 méterenként (1000 lábanként) 3,5 %-kal, továbbá 25° C (77° F) felett 5,6° C-onként (10° F) 1%-kal csökken a motor teljesítménye. A motor maximum 15° értékű lejtőn működik kielégítően. A megengedett lejtőkre vonatkozólag lásd a berendezés kezelési útmutatóját.

Pótalkatrészek - Modell: 210000	
Pótalkatrész	Alkatrészszám
Levegőszűrő, papír (lásd 13 ábra)	796032
Levegőszűrő előszűrő, szivacsos (lásd 13 ábra)	798911
Levegőszűrő, papír (lásd 12 ábra)	698413, 5079
Levegőszűrő előszűrő, szivacsos (lásd 12 ábra)	697292, 5079
Olaj - SAE 30 (0,6 l, 20 uncia),	100005
Olaj - SAE 30 (1,4 l, 48 uncia),	100028
Olajszűrő	492932
Speciális formulájú üzemanyag kezelő és stabilizáló adalék	100117, 100120
Üzemanyagszűrő - üzemanyag-szivattyú nélküli motor	394358, 5098
Üzemanyagszűrő - üzemanyag-szivattyús motor	691035, 5065
Előtét ellenállással szerelt gyújtógyertya	491055
Hosszú élettartamú platina gyújtógyertya	5066
Gyújtógyertya kulcs	89838, 5023
Gyújtógyertya tesztelő	19368

Pótalkatrészek - Modell: 310000	
Pótalkatrész	Alkatrészszám
Levegőszűrő, papír (lásd 13 ábra)	796031
Levegőszűrő előszűrő, szivacsos (lásd 13 ábra)	797704

Pótalkatrészek - Modell: 310000	
Levegőszűrő, papír (lásd 12 ábra)	698083, 5077
Levegőszűrő előszűrő, szivacsos (lásd 12 ábra)	697015, 5077
Levegőszűrő, lapos és mosható	697153, 5078
Olaj - SAE 30 (0,6 l, 20 uncia),	100005
Olaj - SAE 30 (1,4 l, 48 uncia),	100028
Olajszűrő, normál - fekete színű	492932
Olajszűrő, nagy hatékonyságú - sárga színű	795890
Olajszűrő, nagy hatékonyságú - narancssárga színű	798576
Speciális formulájú üzemenyag kezelő és stabilizáló adalék	100117, 100120
Üzemenyagszűrő - üzemenyag-szivattyú nélküli motor	394358, 5098
Üzemenyagszűrő - üzemenyag-szivattyús motor	691035, 6065
Előtét ellenállással szerelt gyújtógyertya	491055
Hosszú élettartamú platina gyújtógyertya	5066
Gyújtógyertya kulcs	89838, 5023
Gyújtógyertya tesztelő	19368

Javasoljuk, hogy a motor és motor alkatrészek bármely karbantartását és szervizelését Hivatalos Briggs & Stratton szervizállomáson végeztesse.

Teljesítménybesorolás: Az egyes benzinmotorok bruttó teljesítménybesorolásának címkézése a SAE (Society of Automotive Engineers) J1940 kódszámú szabványának (Kis méretű motorok teljesítmény- és nyomatékbesorolási eljárása) megfelelően történik, a besorolás pedig megfelel a SAE J1995 szabványnak. A nyomatékértékek 2600 RPM fordulatszám mellett értendők azoknál a motoroknál, amelyeknél „rpm” olvasható a címkén, illetve 3060 RPM fordulatszám mellett az összes többi motornál; a lóerőben megadott értékek 3600 RPM fordulatszám mellett értendők. A www.BRIGGSandSTRATTON.COM címen tekinthetők meg a bruttó teljesítménygörbék. A nettó teljesítményértékek felszerelt kipufogó- és légtisztítóval értendők, a bruttó teljesítményértékek ezen szerelvények nélkül értendők. Az aktuális bruttó motorteljesítmény magasabb lesz, mint a nettó motorteljesítmény, és többek között befolyásolja a környezeti működési feltételek és a motorok variálhatósága is. Azon termékek különbözősége miatt, amelyekre a motorokat helyezik, a benzinmotor nem feltétlenül éri el a névleges bruttó teljesítményt, amikor egy adott eszközben használják. Ez a különbség többek között számos olyan tényezőnek tudható be, mint például a motor különböző alkotórészei (légtisztító, kipufogó, töltőrendszer, hűtés, karburátor, üzemenyag-szivattyú stb.), az alkalmazási korlátozások, a környezeti működési feltételek (hőmérséklet, páratartalom, tengerszint feletti magasság), illetve a motorok variálhatósága. Gyártási és kapacitáskorlátozások következtében a Briggs & Stratton ezt a motort egy magasabb teljesítménybesorolású motorral helyettesítheti.

Garancia

Briggs & Stratton motorgarancia

2017. januártól érvényes

Korlátozott jótállás

A Briggs & Stratton az itt meghatározott garanciaidő alatt díjmentesen megjavít minden anyaghibás, gyártási hibás vagy egyszerre anyag- és gyártási hibás alkatrészt. A javítandó termék vagy cserealkatrész szállítási költségeit a garancia szerint a vásárlónak kell fedeznie. A garancia csak az alábbiakban meghatározott időtartamok és feltételek szerint érvényes. A garanciával kapcsolatos ügyintézéshez keresse meg a legközelebbi hivatalos szakszervizt a honlapunk szervizkeresőjében a BRIGGSandSTRATTON.COM helyen. A vevőnek fel kell vennie a kapcsolatot a hivatalos márkaszervizzel, és biztosítania kell, hogy a hivatalos márkaszerviz tesztelhesse és megvizsgálhassa az adott terméket.

Nincs más kifejezett garancia. A vélelmezett garanciák, a forgalmazhatóságot és a kifejezett célra való megfelelést is beleértve, az alább felsorolt jótállási időszakra, vagy a törvény által megállapított időtartamra vonatkoznak. A járulékos vagy következményes károkért vállalt felelősség ki van zárva a törvény által megengedett időtartamra. Egyes államokban vagy országokban nem engedélyeznek arra vonatkozó korlátozásokat, hogy mennyi ideig tart valamely vélelmezett garancia és bizonyos államokban vagy országokban nem engedélyezik a kizárást vagy korlátozást a járulékos vagy következményes károkra vonatkozóan, így lehetséges, hogy a fenti korlátozás és kizárás önre nem vonatkozik. Jelen garancia meghatározott jogokat biztosít Önnek és elképzelhető, hogy egyéb jogai is vannak, ezek azonban államról államra és országról országra változnak.⁴

Normál garanciális feltételek 1, 2, 3

Márka/terméknév	Fogyasztói felhasználás	Kereskedelmi felhasználás
Vanguard™; Kereskedelmi sorozat	36 hónap	36 hónap

Normál garanciális feltételek 1, 2, 3

Dura-Bore™ motorok öntöttvas persellyel	24 hónap	12 hónap
Az összes többi motor	24 hónap	3 hónap

¹Ezek a normál garanciális feltételeink, de alkalmanként előfordulhat olyan további garanciális szolgáltatás, amely a kiadás idején még nem került meghatározásra. A motorjára vonatkozó garanciális feltételek jelenlegi listájának megismeréséhez keresse fel a BRIGGSandSTRATTON.COM webhelyet vagy vegye fel a kapcsolatot egy hivatalos Briggs & Stratton szervizállomással.

²Nincs garancia az olyan motorokra, melyeket közmű helyett elsődleges áramtermelő berendezésekben vagy kereskedelmi célú készenléti generátorokban használnak. Versenyeken vagy kereskedelmi, illetve bérelt pályákon használt motorokra a garancia nem érvényes.

³Vanguard, készenléti generátorokon telepítve: 24 hónap fogyasztói használat esetén, nincs kereskedelmi használatra garancia. Vanguard, haszonjárművekre telepítve: 24 hónap fogyasztói használat esetén, 24 hónap kereskedelmi használat esetén. Kereskedelmi sorozat 2017. július előtti gyártási dátummal, 24 hónap fogyasztói használat, 24 hónap kereskedelmi használat.

⁴Ausztrália – Termékeinkre olyan garanciák vonatkoznak, amelyek nem zárhatók ki az ausztráliai fogyasztóvédelmi törvény értelmében. Ön a súlyosabb hibák esetében cseréjére vagy pénzvisszatérítésre, minden más reálisan előrelátható veszteségért vagy kárért pedig kártérítésre jogosult. Akkor is joga van a termékek javítására vagy cseréjére, ha a termékek minősége nem megfelelő, és a meghibásodás nem minősül súlyosnak. Garanciális szervizszolgáltatás igénybevétele céljából keresse meg a legközelebbi hivatalos szervizállomást a BRIGGSandSTRATTON.COM webhelyen viszonteladó keresési térképünk segítségével, vagy hívja az 1 300 274 447 számot, vagy küldjön e-maillt a salesenquiries@briggsandstratton.com.au címre, vagy levelet a Briggs & Stratton Australia Pty Ltd, 1 Moorebank Avenue, Moorebank, NSW, Australia, 2170 címre.

A garanciális időszak az első kiskereskedelmi vagy kereskedelmi fogyasztó által történő megvásárlás napján kezdődik. A „fogyasztói felhasználás” a kiskereskedelmi fogyasztó által való személyes lakóhelyi háztartási felhasználást jelenti. A „kereskedelmi felhasználás” az összes egyéb felhasználást jelenti, beleértve a kereskedelmi, jövedelemtermelő és bérleti célú felhasználást. Ha egy motor egyszer már kereskedelmi használatba került, akkor ezt követően a jelen garancia szempontjából kereskedelmi felhasználású motornak kell tekinteni.

Őrizze meg a vásárlást igazoló nyugtát. Ha nem igazolja az eredeti beszerzés dátumát a garanciális szerviz igénylésének időpontjában, akkor a garanciális időszak meghatározásához a termék gyártási időpontját veszik figyelembe. Nincs szükség termékregisztrációra a Briggs & Stratton márkájú termékek garanciajogának érvényesítéséhez.

Az Ön garanciájáról

Ez a garancia csak a motorral kapcsolatos anyag- és/vagy gyártási hibákra vonatkozik, nem pedig annak a berendezésnek a cseréjére vagy árának visszatérítésére, amelyre az illető motor fel van szerelve. A normál karbantartáshoz szükséges anyagokra, feltuningolásokra, beállításokra vagy normál elhasználódásra nem vonatkozik a garancia. Hasonlóképpen nem vonatkozik a garancia arra az esetre, ha a motor megváltoztatták vagy módosították, vagy ha megrongálták vagy eltávolították a motorszámot. Nem vonatkozik a garancia az alábbi okok miatti motorkárookra vagy teljesítményproblémákra:

1. Nem eredeti Briggs & Stratton alkatrészek használata;
2. A motor elégtelen, szennyezett vagy nem megfelelő konzisztencia besorolású kenőolajjal való működtetése;
3. Szennyezett vagy állott üzemenyag, 10%-nál nagyobb etanoltartalmú benzin vagy alternatív üzemenyagok használata, mint cseppfolyósított szénhidrogén vagy földgáz, olyan motorokban, melyeket eredetileg nem ilyen üzemenyagokkal való működésre tervezett/gyártott a Briggs & Stratton;
4. A motorba jutott szennyeződés a levegőszűrő nem megfelelő karbantartása vagy visszاسzerelése miatt;
5. Ráütés egy tárgyra a forgóképes fűnyíró késénél, laza vagy nem megfelelően felszerelt késadapterek, turbinakerekek vagy más főtengellyel összekötött eszközök, továbbá túl szoros ékszíj;
6. Nem a Briggs & Stratton által gyártott tartozékok vagy részegységek, mint tengelykapcsolók, sebességváltók, berendezés kezelőszervek stb.;
7. Lenyírt fűdarabok, szennyeződés, nyesedék vagy rágszál bűvőhelyanyagai miatti túlmelegedés, melyek eldugaszolják illetve eltömítik a hűtőbordákat vagy a lendkerék környékét, továbbá a motor megfelelő szellőzés nélküli működtetése;
8. Túl nagy sebességgel történő működtetés, laza motorrögzítés, laza illetve kiegyensúlyozatlan vágókések vagy turbinák, továbbá a berendezés alkotóelemeinek a főtengelyhez való nem megfelelő csatlakoztatása miatt fellépő túlzott vibráció;
9. Nem rendeltetésszerű használat, a rendszeres karbantartás hiánya, a berendezés szállítása, kezelése vagy raktározása, ill. nem megfelelő motor beszerelés.

A jótállási szolgáltatás kizárólag a Briggs & Stratton jóváhagyott forgalmazó szervizeiben vehető igénybe. Keresse meg a legközelebbi hivatalos szervizállomást viszonteladó keresési térképünk segítségével a BRIGGSandSTRATTON.COM webhelyen, vagy hívja az 1-800-233-3723 számot (az USA-ban).

Not for
Reproduction

Šioje instrukcijoje yra saugumo informacija apie pavojus ir riziką, kuriuos kelia varikliai, ir kaip jų išvengti. Joje taip pat yra informacija apie teisingą variklio naudojimą ir aptarnavimą. Kadangi „Briggs & Stratton“ nežino, kurioje įrangoje bus naudojamas tam tikras variklis, turite atidžiai perskaityti ir suprasti šią ir įrangos instrukcijas. **Išsaugokite šią originalią instrukciją ateičiai.**

Pastaba: Šiame vadove esantys paveikslėliai ir iliustracijos yra tik pavyzdžiai, jie gali skirtis nuo konkretaus modelio. Jeigu kiltų klausimų, susisiekite su savo atstovu.

Norėdami įsigyti atsargines dalis arba gauti techninės pagalbos, šioje vietoje užsirašykite variklio modelį, tipą, kodą ir įsigijimo datą. Šie numeriai yra ant jūsų variklio (žiūrėkite skyrių **Funkcijos ir valdikliai**).

Pirkimo data:	
Variklio modelis – tipas – apdaila	
Variklio serijos numeris	

Ieškokite 2D brūkšninio kodo tam tikrose varikliuose. Peržiūrint 2D atpažįstančiais įrenginiais, kodas nukreips į mūsų svetainę, kur galite rasti šio gaminio palaikymo informaciją. Taikomi duomenų persiuntimo įkainiai. Kai kuriose šalyse informacija internete gali būti neprieinama.



Informacija apie atliekų surinkimą ir perdirbimą



Visas pakavimo medžiagas, naudotą alyvą ir senus akumulatorius privaloma tinkamai išmesti arba atiduoti perdirbti, atsižvelgiant į galiojančius valstybės teisės aktus.

Pavojaus ženklai ir jų reikšmės

Ženklas	Reikšmė	Ženklas	Reikšmė
	Saugos informacija apie pavojus, kurie gali baigtis susižalojimu.		Prieš eksploatuodami įrenginį arba prieš atlikdami jo techninės priežiūros darbus, perskaitykite naudojimo instrukciją ir įsisavinkite joje pateiktą informaciją.
	Gaisro pavojus		Sprogimo pavojus
	Elektros smūgio pavojus		Nuodingų dujų pavojus
	Karštų paviršių keliamas pavojus		Triukšmo pavojus – ilgai naudojant rekomenduojamos ausų apsaugos.
	Svaidomų objektų pavojus – dėvėkite akių apsaugas.		Sprogimo pavojus
	Nušalimo pavojus		Atatrankos pavojus
	Amputacijos pavojus – judančios dalys		Cheminis pavojus
	Karščio pavojus		Korozinis

Operatoriaus sauga

Saugos įspėjimo ženklas ir įspėjamieji pranešimai

Saugos įspėjimo ženklas ir įspėjamieji pranešimai

Saugos įspėjimo ženklas yra naudojamas apibūdinti saugumo informaciją apie pavojus, kurių pasekmė gali būti asmens trauma. Žodžiai (PAVOJUS, ĮSPĖJIMAS, PERSPĖJIMAS) naudojami su ženklais apibūdinti galimybę gauti kelias traumas. Taip pat pavojaus ženklas gali būti naudojamas pavojaus tipui apibūdinti.

PAVOJUS reiškia grėsmę, kuri, jos nevengiant, **baigsis mirtimi arba sunkiu asmens sužeidimu.**

ĮSPĖJIMAS reiškia pavojų, kuris, jo nevengiant, **gali baigtis mirtimi arba sunkiu asmens sužeidimu.**

PERSPĖJIMAS reiškia pavojų, kuris, jo nevengiant, **gali sukelti lengvą ar vidutinį sužalojimą.**

PASTABA reiškia situaciją, kuri galėtų baigtis žala gaminiui.

Saugumo pranešimai

ĮSPĖJIMAS

Tam tikrose šio gaminio sudėtinėse dalyse ir su jomis susijusiuose prietaisuose yra cheminių medžiagų, kurios Kalifornijos valstijos duomenimis sukelia vėžį, apsigimimus ir kitokią reprodukcinę žalą. Po darbo būtinai nusiplaukite rankas.

ĮSPĖJIMAS

Variklio išmetamosios dujos turi savo sudėtyje cheminių medžiagų, kurios Kalifornijos valstijos duomenimis sukelia vėžį, apsigimimus ir kitokią reprodukcinę žalą.

ĮSPĖJIMAS

„Briggs & Stratton“ varikliai nėra skirti ir negali būti naudojami kaip energijos šaltinis: pramoginiuose ar sportiniuose kartinguose; vaikiškuose, pramoginiuose ar sportiniuose keturračiuose (ATV); motocikluose; transporto priemonėse su oro pagalve; aviacijos gaminiuose; arba varžyboms naudojamosiose mašinose, kurių nepatvirtino „Briggs & Stratton“. Informacijos apie lenktynėms skirtus gaminius rasite svetainėje www.briggsracing.com. Dėl naudojimo darbiniuose arba gretimų sėdynių keturračiuose kreipkitės į „Briggs & Stratton“ variklių taikymo centrą, 1-866-927-3349. Neteisingai panaudojus variklį, galima patirti traumą arba žūtį.

ĮSPĖJIMAS

Degalai ir jų garai yra nepaprastai degūs ir sprogūs.

Ugnis arba sprogdimas gali nudeginti arba sukelti mirtį.

Pildami benzina

- Prieš atsukdami degalų bako dangtelį, išjunkite variklį ir palaukite bent dvi minutes, kad jis atvėstų.
- Pilkite degalus į baką lauke arba labai gerai vėdinamoje patalpoje.
- Neperpildykite degalų bako. Kadangi degalai gali plėstis, nepilkite virš apatinės kaklelio ribos.
- Saugokite degalus nuo kibirkščių, atviros ugnies, nuolat įjungtų dujų degiklių, šilumos ir kitų uždegimo šaltinių.
- Dažnai tikrinkite degalų linijas, degalų bako dangtelį ir montavimo dalis, ar jos nenusidėvėję arba neįskilę. Jei reikia, jas pakeiskite.
- Jeigu degalai išsilietų, prieš užvesdami variklį, palaukite, kol jie išgaruos.

Užvesdami variklį

- Įsitikinkite, kad uždegimo žvakė, duslintuvas, degalų bako dangtelis ir oro filtras (jei įrengtas) yra sumontuoti ir tinkamai įtvirtinti.
- Neužveskite variklio, kai uždegimo žvakė yra išimta.
- Jeigu variklis užlietas, oro sklendę (jeigu yra) nustatykite į padėtį OPEN / RUN (atidaryta / eiga), pastumkite droselį (jeigu yra) į padėtį FAST (greitai) ir sukite variklį tol, kol jis užsives.

Įrenginio naudojimas

- Neverskite variklio arba įrangos ant šono, nes gali išsilieti kuras.
- Nebandykite oro sklende sustabdyti variklio.
- Niekada neužveskite ir nenaudokite variklio be oro valymo bloko (jei įrengtas) arba oro filtro (jeigu įrengtas).

Keisdami alyvą

- Išleidžiant alyvą iš viršutinio įpylimo vamzdelio, degalų bakas privalo būti tuščias, kitaip degalai gali ištekėti ir sukelti gaisrą arba sprogimą.

Įrangos pavertimas aptarnavimui atlikti

- Atlikdami techninę priežiūrą, kai įrangą būtina paversti, įsitikinkite, kad degalų bakas yra tuščias, nes gali išsilieti degalai ir įvykti gaisras arba sprogimas.

Įrenginio gabenimas

- Transportuokite su TUŠČIU degalų baku arba UŽDARYTU degalų išjungimo vožtuvu.

Degalų arba įrenginio su pilnu degalų baku laikymas

- Saugokite atokiai nuo krosnių, viryklių, vandens šildytuvų ar kitų buitinių prietaisų su atvirais dujų degikliai arba kitų uždegimo šaltinių, nes jie gali uždegti degalų garus.



ĮSPĖJIMAS

Užvedant variklį, kyla kibirkščiavimas.

Kibirkštis gali uždegti netoliese esančius degius garus arba dujas.

Dėl to gali kilti sprogimas ir gaisras.

- Jeigu šalia yra gamtinių arba suskystintųjų dujų nuotėkis, neužveskite variklio.
- Nesuslėkite užvedimui skirtų skysčių, nes garai yra degūs.



ĮSPĖJIMAS

NUODINGŲ IŠMETAMŲJŲ DUJŲ KELIAMAS PAVOJUS. Variklio išmetamosiose dujose yra anglies monoksido – nuodingų dujų, kurios per kelias minutes gali sukelti mirtį. Jūs **NEGALITE** jų pamatyti, užuosti arba pajusti jų skonio. **Net jeigu neužuodžiate išmetamųjų dujų kvapo, vis tiek galite būti paveikti anglies monoksido dujų.** Jeigu naudodami šį gaminį pajustumėte pykinimą, galvos svaigimą ar silpnumą, **NEDELSDAMI** jį išjunkite ir pasistenkite įkvėpti gaivaus oro. Kreipkitės į gydytoją. Galbūt esate apsinuodiję anglies monoksidu.

- Naudokite šį gaminį TIK lauke kuo toliau nuo langų, durų arba vėdinimo angų tam, kad sumažintumėte anglies monoksido susikaupimo ir patekimo į žmonių buvimo vietas riziką.
- Įrenkite akumulatorinius anglies monoksido detektorius arba elektrinius anglies monoksido detektorius su atsarginiu akumulatoriumi, vadovaudamiesi gamintojo nurodymais. Dūmų detektoriai negali aptikti anglies monoksido dujų.
- **NENAUDOKITE** šio gaminio namuose, garažuose, rūsiuose, tuneliuose, angaruose ar kitose dalinai uždaroje patalpoje, net ir tuo atveju, jei jos vėdinamos ventiliatoriais ar atidarius duris ir langus. Tokiose vietose gali susikaupti anglies monoksidas, kuris jose gali išbūti daug valandų po to, kai gaminyje jau buvo išjungtas.
- **VISADA** orientuokite gaminį pavėjui ir nukreipkite variklio išmetamųjų dujų vamzdį nuo žmonių.



ĮSPĖJIMAS

Dėl atatranks starterio laido gali stipriai patraukti jūsų ranką link variklio, greičiau nei spėsite jį paleisti.

Dėl to gali lūžti ar įskilti kaulai, atsirasti sumušimų arba sausgyslių patempimų.

- Norėdami užvesti variklį, lėtai traukite už starterio laidą, kol pajusite pasipriešinimą, o tada staigiu ir greitu judesiu užveskite variklį, kad išvengtumėte atatranksos.
- Prieš užvesdami variklį, pašalinkite visą pašalinę įrangą ir variklio apkrovą.
- Tiesiogiai prijungti įrangos komponentai, tokie kaip propeleriai, skriemuliai, siurbliaračiai, krumpļiaračiai ir t. t., turi būti saugiai pritvirtinti.



ĮSPĖJIMAS

Besisukančios dalys gali paliesti ir įtraukti rankas, kojas, plaukus, aprangą ar aprangos detales.

Jos gali smarkiai įplėšti audinius arba nutraukti galūnę.

- Naudokitės įranga tik esant apsaugoms savo vietoje.
- Laikykite rankas ir kojas toliau nuo besisukančių dalių.
- Susiriškite ilgus plaukus ir nusiimkite papuošalus.
- Nesivilkite laisvų rūbų su laisvai kabančiais diržais arba kitais aksesuarais, kuriuos variklis galėtų įtraukti.



ĮSPĖJIMAS

Varikliui veikiant, išskiriama šiluma. Variklio dalys, ypač duslintuvas, labai įkaista.

Prisilietus galima stipriai nudegti.

Degios šiukšlės, pavyzdžiui, lapai, žolė, krūmai ir kt., gali užsiliepsnoti.

- Prieš liedami duslintuvą, variklio cilindrą ir rotoriaus briaunas, palaukite, kol šios dalys atvės.
- Nuvalykite nešvarumus aplink duslintuvą ir cilindrą.
- Kalifornijos valstybinių išteklių kodekso 4442 skyrius draudžia naudoti šį variklį mišku, krūmynais ar žole dengtose vietose, jei variklio išmetimo sistemoje neįrengtas kibirkščių stabdiklis, atitinkantis 4442 skyriaus reikalavimus ir yra tinkamas naudoti. Kitose valstijose gali galioti panašūs įstatymai. Kreipkitės į originalios įrangos gamintoją, platintoją ar atstovą, kad įsigytumėte kibirkščių gaudyklį, pritaikytą jūsų išmetimo sistemai, įrengtai variklyje.



ĮSPĖJIMAS

Netyčinė kibirkštis gali sukelti gaisrą arba elektros smūgį.

Netyčinis užvedimas gali baigtis galūnių įtraukimu, traumuojančia amputacija arba plėštinėmis žaizdomis.

Gaisro pavojus

Prieš atlikdami reguliavimo arba remonto darbus

- Atjunkite uždegimo žvakės laidą ir laikykite jį atokiai nuo uždegimo žvakės.
- Atjunkite akumulatoriaus neigiamą gnybtą (taikytina tik elektra užvedamiems varikliams).
- Naudokite tik darbu tinkamus įrankius.
- Nelieskite variklio regulatoriaus spyruoklės, jungčių ir kitų dalių, norėdami padidinti variklio sūkius.
- Keičiamos atsarginės dalys privalo būti to paties dizaino ir sumontuotos toje pačioje padėtyje kaip ir originalios dalys. Kitos dalys gali veikti netinkamai, sugadinti įrenginį ir sukelti sužalojimą.
- Nedaužykite smagračio plaktuku arba kietu daiktu, nes vėliau darbo metu jis gali subyrėti.

Tikrindami, ar kyla kibirkštis

- Naudokite patvirtintą uždegimo žvakės bandiklį.
- Netikrinkite, ar kyla kibirkštis, kai uždegimo žvakė yra išimta.

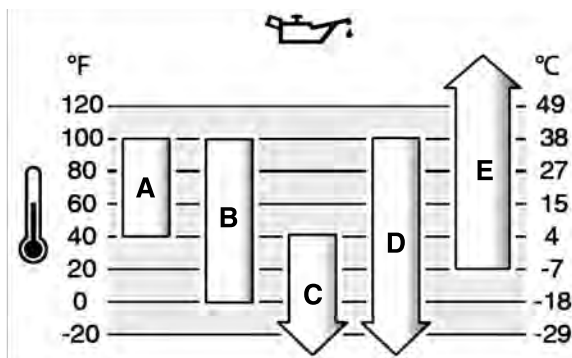
Funkcijos ir valdikliai

Variklio valdikliai

Palyginkite paveikslėlį (pav. 1, 2, 3), kuriame pavaizduotas variklis, ir savo variklį, kad susipažintumėte su jo savybėmis ir valdikliais.

- A. Variklio identifikacijos numeriai **Modelis - Tipas - Kodas**
- B. Uždegimo žvakė
- C. Oro filtras
- D. Starterio laido rankena (jeigu yra)
- E. Alyvos lygio matuoklis
- F. Alyvos išleidimo kaištis
- G. Duslintuvas, duslintuvo apsauga (jei įrengta), kibirkščių gaudiklis (jei įrengtas)
- H. Oro įsiurbimo grotelės
- I. Oro įsiurbimo grotelės
- J. Alyvos filtras (jeigu yra)
- K. Elektrinis starteris (jeigu yra)
- L. Karbiuratorius
- M. Kuro filtras (jei yra)
- N. Kuro siurblys (jei yra)
- O. Greitas alyvos išleidimas (jei yra)
- P. Elektrinis valdymo blokelis (jei įrengtas)

Varikliui tinkama alyvos klampa priklauso nuo oro temperatūros. Norėdami išsirinkti tinkamiausią klampą pagal numatomos oro temperatūros diapazoną, vadovaukitės pateikta lentele. Daugelio lauke naudojamų elektrinių įrenginių varikliai tinkamai veikia naudojant 5W-30 sintetinę alyvą. Jei įrenginiai naudojami esant aukštai temperatūrai, geriausią apsaugą užtikrina „Vanguard™ 15W-50“ sintetinė alyva.



A	SAE 30 - Jeigu SAE 30 alyva yra naudojama žemiau negu 40 ° F (4 ° C) temperatūroje, variklį bus sunkiau užvesti.
B	10W-30 - Naudojant 10W-30 standarto alyvą esant aukštesnei nei 80 ° C (27 ° C) oro temperatūrai, gali padidėti alyvos sąnaudos. Dažniau tikrinkite alyvos lygį.
C	5W-30
D	Sintetinė 5W-30
E	„Vanguard™“ sintetinė 15W-50

Variklio valdymo ženklai ir jų reikšmės

Ženklas	Reikšmė	Ženklas	Reikšmė
	Variklio apsukos – GREITOS		Variklio apsukos – LĖTOS
	Variklio apsukos – SUSTABDYTOS		ON / OFF (įjungtas / išjungtas)
	Variklio užvedimas – droselinė sklendė UŽDARYTA		Variklio užvedimas – droselinė sklendė ATIDARYTA
	Degalų bako dangtelis Degalų tiekimo atjungimo sklendė – ATIDARYTA		Degalų tiekimo atjungimo sklendė – UŽDARYTA
	Degalų lygis – maksimalus Neperpildykite		

Naudojimas

Rekomendacijos dėl alyvos

Alyvos talpa: Žr. *Specifikacijos*.

PASTABA

Variklis iš „Briggs & Stratton“ gamyklos pristatomas be alyvos. Įrangos gamintojai arba pardavėjai galėjo pripilti alyvos į variklį. Prieš pirmą kartą užvesdami variklį, būtina patikrinti alyvos lygį ir pripildyti alyvos, kaip nurodyta šioje naudojimo instrukcijoje. Jeigu užvesite variklį nepripilę alyvos, jis bus nepataisomai sugadintas ir garantija jam nebegalios.

Kad mašina veiktų optimaliai, rekomenduojama naudoti „Briggs & Stratton“ garantija sertifikuotas alyvas. Galima naudoti kitų gamintojų aukštos kokybės alyvas, jeigu joms galioja techninės priežiūros SF, SG, SH, SJ arba aukštesnės klasės klasifikacija. Nenaudokite specialių priedų.

Alyvos lygio tikrinimas

Žr. paveikslėlį: 4

Prieš pripildami daugiau alyvos arba prieš tikrindami alyvos lygį

- Įsitinkite, kad variklis yra horizontalioje padėtyje.
- Nuvalykite purvą nuo alyvos pildymo vietos.

1. Ištraukite lygio matuoklį (A, pav. 4) ir nušluostykite jį švaria šluoste.
2. Įstatykite ir priveržkite lygio matuoklį (A, pav. 4).
3. Ištraukite matuoklį ir patikrinkite alyvos lygį. Teisingas alyvos lygis yra lygio matuoklio pilno bako indikatorius viršuje (B, pav. 4).
4. Jeigu alyvos lygis žemas, lėtai pripilkite alyvos į variklio alyvos pildymo angą (C, pav. 4). **Neperpilkite.** Pripilę alyvos, vieną minutę palaukite ir dar kartą patikrinkite alyvos lygį.

Pastaba: Nepilkite alyvos pro greito alyvos išleidimo kamštį, jei įrengtas. Jo įrengimo vietos ieškokite skyrelyje „*Funkcijos ir valdikliai*“.

5. Vėl įstatykite ir priveržkite lygio matuoklį (A, pav. 4).

Apsaugos sistema nuo nepakankamo alyvos kiekio (jeigu yra sumontuota)

Kai kuriuose varikliuose yra sumontuotas žemo alyvos lygio jutiklis. Jeigu alyvos lygis žemas, jutiklis arba aktyvina įspėjamąją lemputę, arba sustabdo variklį. Sustabdykite variklį ir atlikite šiuos veiksmus prieš vėl paleisdami variklį.

- Įsitinkite, kad variklis yra horizontalioje padėtyje.
- Patikrinkite alyvos lygį. Žiūrėkite skyrių *Alyvos lygio tikrinimas*.
- Jeigu alyvos lygis žemas, įpilkite reikiamą kiekį alyvos. Užveskite variklį ir įsitinkite, kad įspėjamoji lemputė (jeigu įrengta) nešviečia.
- Jeigu alyvos lygis nėra žemas, neužveskite variklio. Dėl informacijos, kaip spręsti nesklaidumus, susijusius su alyva, kreipkitės į įgaliotąjį „Briggs & Stratton“ atstovą.

Degalų rekomendacijos

Degalai turi atitikti šiuos reikalavimus:

- tai turi būti švarūs, neseni, neetilnuotas benzinai.
- Mažiausias oktaniškas skaičius 87 / 87 AKI (91 RON). Naudojimas aukštikalnėse, žiūrėkite žemiau.
- Benzinai, kurio sudėtyje yra iki 10 % etanolio (gasoholio), yra priimtinas.

PASTABA Nenaudokite nepatvirtinto benzino, pavyzdžiui, E15 ir E85. Nebandykite įmaišyti alyvos į benzina arba perdaryti variklį, kad galėtumėte veikti su kito tipo degalais. Dėl netinkamo degalų vartojimo variklio dalys bus sugadintos ir Jūs neteksite garantijos.

Kad apsaugotumėte degalų sistemą nuo dervų susiformavimo, įmaišykite į degalus degalų stabilizatorius. Žiūrėkite **Laikymas**. Visi degalai nėra vienodi. Jeigu atsiranda užvedimo arba charakteristikų problemų, pakeiskite degalų tiekėją arba gamintoją. Šis variklis skirtas veikti varomas benzinu. Šiam varikliui taikoma išmetamųjų teršalų kontrolės sistema yra EM (variklio pakeitimai).

Didelis aukštis

Didesniame kaip 5 000 pėdų (1 tūkst. 524 metrų) aukštyje rekomenduojama naudoti degalus, kurių oktaninis skaičius – mažiausiai 85 / 85 pagal AKI (89 RON).

Karbiuratorinius variklius dideliame aukštyje reikia sureguliuoti, kad jie išlaikytų savo charakteristikas. Nesureguliuavus, naudojimo metu pablogės charakteristikos ir padidės degalų sąnaudos bei išmetamųjų teršalų kiekis. Dėl informacijos, kaip nustatyti įrenginį darbui dideliame aukštyje, kreipkitės į įgaliotąjį „Briggs & Stratton“ techninės priežiūros atstovą. Naudojant variklį žemesniame nei 2 500 pėdų (762 metrų) aukštyje, reguliavimas dėl aukščio nerekomenduojamas.

Variklių su elektroniniu degalų įpurškimu (EFI) reguliuoti dėl didelio aukščio nereikia.

Degalų pildymas

Žiūrėkite paveikslėlį: 5



Degalai ir jų garai yra labai degūs ir gali sprogti.

Ugnis arba sproginimas gali nudeginti arba sukelti mirtį.

Pildami degalus

- Prieš atsukdami degalų bako dangtelį, išjunkite variklį ir palaukite bent 2 minutes, kad jis atvėstų.
 - Pilkite degalus į baką tik lauke arba labai gerai vėdinamoje patalpoje.
 - Neperpildykite degalų bako. Kadangi degalai gali plėstis, nepilkite virš apatinės kaklelio ribos.
 - Saugokite degalus nuo kibirkščių, atviros ugnies, nuolat įjungtų dujų degiklių, šilumos ir kitų uždegimo šaltinių.
 - Dažnai tikrinkite degalų linijas, degalų bako dangtelį ir montavimo dalis, ar jos nesusidėvėję arba neįskilę. Jei reikia, pakeiskite jį.
 - Jeigu degalai išsilietų, prieš užvesdami variklį, palaukite, kol jie išgaruos.
1. Nuvalykite aplink degalų dangtelį esantį purvą ir nešvarumus. Atsukite degalų bako dangtelį.
 2. Pripildykite degalų baką (A, pav. 5) degalais. Kadangi degalai gali plėstis, nepilkite virš apatinės kaklelio ribos (B).
 3. Užsukite degalų bako dangtį.

Variklio užvedimas ir sustabdymas

Žr. paveikslėlį: 6

Variklio užvedimas



Greitas starterio laido įtraukimas (atatranka) patrauks jūsų plaštaką ir ranką link variklio greičiau, nei jūs galėsite jį paleisti.

Dėl to gali būti sulaužyti, įskelti kaulai, gali atsirasti sumušimų arba patempimų.

- Užvesdami variklį, lėtai traukite starterio laidą tol, kol pajusite pasipriešinimą, tuomet staigiai truktelėkite, kad išvengtumėte atatrankos.



Degalai ir jų garai yra labai degūs bei gali sprogti.

Ugnis ar sproginimas gali nudeginti arba sukelti mirtį.

Variklio užvedimas

- Įsitinkinkite, kad uždegimo žvakė, duslintuvas, degalų bako dangtelis ir oro filtras (jei įrengtas), yra sumontuoti ir tinkamai pritvirtinti.
- Neužveskite variklio, kai uždegimo žvakė yra išimta.

- Jeigu variklis užlietas, nustatykite oro sklendę (jeigu įrengta) į padėtį OPEN/RUN (atidaryti / paleisti), pastumkite droselį į padėtį FAST (greitas) ir sukite variklį tol, kol jis užsives.



NUODINGŲ IŠMETAMŲJŲ DUJŲ KELIAMAS PAVOJUS. Variklio išmetamosiose dujose yra anglies monoksido – nuodingų dujų, kurios per kelias minutes gali sukelti mirtį. Jūs **NEGALITE** jų pamatyti, užuosti arba pajaušti jų skonio. **Net jeigu neužuodžiate išmetamųjų dujų kvapo, Jus vis tiek gali paveikti anglies monoksido dujos.** Jeigu naudodami šį gaminį pajaustumėte pykinimą, galvos svaigimą arba silpnumą, **TUOJ PAT** jį išjunkite ir pasistenkite įkvėpti gaivaus oro. Kreipkitės į gydytoją. Jūs galite būti apsinuodiję anglies monoksidu.

- Naudokite šį produktą TIK lauke kuo toliau nuo langų, durų arba ventilacijos angų, tam, kad sumažintumėte anglies monoksido susikaupimo ir patekimo riziką į uždaras erdves.
- Įrenkite akumuliatorinius anglies monoksido detektorius arba elektrinius anglies monoksido detektorius su atsarginiu akumuliatoriumi, vadovaudamiesi gamintojo nurodymais. Dūmų detektoriai negali aptikti anglies monoksido dujų.
- **NEAUDOKITE** šio gaminio namuose, garažuose, rūsiuose, tuneliuose, angaruose ar kitose iš dalies uždarose patalpose, net ir tuo atveju, jei jos vėdinamos ventiliatoriais ar atidarius duris ir langus. Tokiose vietose gali susikaupti anglies monoksido, kuris jose gali išlikti daug valandų net jau gaminį išjungus.
- **VISADA** orientuokite gaminį pavėjui ir nukreipkite variklio išmetamųjų dujų vamzdį nuo uždarytų plotų.

PASTABA Variklis iš „Briggs & Stratton“ gamyklos pristatomas be alyvos. Prieš užvesdami variklį, būtinai pripilkite alyvos, kaip nurodyta šioje naudojimo instrukcijoje. Jeigu užvesite variklį nepripylę alyvos, jis bus nepataisomai sugadintas ir garantija neteks galios.

Užvedimo sistemos nustatymas

Prieš užvesdami variklį turite nustatyti, kokia uždegimo sistema yra naudojama jūsų variklyje. Jūsų variklyje gali būti tokios uždegimo sistemos.

- **„ReadyStart“[®] sistema:** Šioje sistemoje įrengtas automatinis droselis valdomas pagal temperatūrą. Šioje sistemoje nėra degalų siurblio.
- **Elektroninė kuro valdymo sistema:** Šią sistemą sudaro elektroninis valdymo įtaisas, kuris stebi variklio darbą ir temperatūros sąlygas. Šio tipo modelyje nėra rankinės sklendės ar pripildymo įtaiso.
- **Droselio sistema:** Šioje sistemoje įrengtas droselis varikliui žemos temperatūros sąlygomis užvesti. Vieni modeliai turi atskirą droselio reguliatorių, kiti modeliai turi kombinuotąjį droselio / greičio reguliatorių. Šioje sistemoje nėra degalų siurblio.

Norėdami užvesti variklį, vadovaukitės variklio užvedimo instrukcijomis, skirtomis jūsų uždegimo sistemai.

Pastaba: Kai kurioje įrangoje montuojami nuotoliniai valdikliai. Jų padėtį ir veikimo būdą galite rasti įrangos naudojimo instrukcijoje.

„ReadyStart“[®] sistema

1. Patikrinkite variklio alyvą. Žiūrėkite skyrių **Alyvos lygio tikrinimas**.
2. Įsitinkinkite, kad įrangos pavaros valdikliai, jeigu tokie yra sumontuoti, yra atjungti.
3. Degalų tiekimo išjungimo vožtuvą (A, pav. 6) (jei yra) nustatykite į atidarytą (OPEN) padėtį.
4. Sklendės valdiklį (B, pav. 6), jei yra, nustatykite į padėtį FAST (greitas). Variklį užveskite įjungę jį į padėtį FAST (greitas).

Pastaba: Norėdami užvesti variklį esant šaltoms oro sąlygoms (temperatūrai žemiau 0°C), nustatykite derinio droselinę sklendę / droselinę sklendę (B C, pav. 6) į droselinės sklendės padėtį.

5. **Raktelio jungiklis, jei įrengtas:** Pasukite raktelio jungiklį (D, pav. 6) į jungimo / paleidimo padėtį.

Paleidimo / sustabdymo mygtukas, jei yra: Stumtelėkite paleidimo / sustabdymo mygtuką (F, pav. 6).

PASTABA Norėdami pailginti starterio naudojimo laiką, naudokite trumpus užvedimo ciklus (maks. penkių sekundžių trukmės). Palaukite apie 1 minutę tarp paleidimo ciklų.

Pastaba: Jeigu variklis neužsiveda po kelių bandymų, kreipkitės į vietinį pardavimo atstovą arba apsilankykite **BRIGGSandSTRATTON.com** arba skambinkite **1-800-233-3723 (JAV)**.

Elektroninė kuro valdymo sistema

1. Patikrinkite variklio alyvą. Žiūrėkite skyrių **Alyvos lygio tikrinimas**.
2. Įsitinkite, kad įrangos pavaros valdikliai, jeigu tokie yra sumontuoti, yra atjungti.
3. Degalų tiekimo išjungimo vožtuvą (A, pav. 6) (jei yra) nustatykite į atidarytą (OPEN) padėtį.
4. Sklendės valdiklį (B, pav. 6), jei yra, nustatykite į padėtį FAST (greitas). Variklį užveskite įjungę jį į padėtį FAST (greitas).
5. **Rankinis starteris, jeigu yra:** Pasukite raktelio jungiklį (D, pav. 6) į įjungimo / paleidimo padėtį.
6. **Rankinis starteris, jeigu yra:** Tvirtai laikykite suėmę starterio laido rankeną (E, pav. 6). Lėtai traukite starterio laido rankeną tol, kol pajusite pasipriešinimą, tuomet staigiai truktelėkite.



ĮSPĖJIMAS

Greitas starterio laido įtraukimas (atatranka) patrauks jūsų plaštaką ir ranką link variklio greičiau, nei jūs galėsite jį paleisti. Dėl to gali būti sulaužyti, įskelti kaulai, gali atsirasti sumušimų arba patempimų. Užvesdami variklį, lėtai traukite starterio laidą tol, kol pajusite pasipriešinimą, tuomet staigiai truktelėkite, kad išvengtumėte atatrankos.

7. **Elektrinis starteris, jeigu yra:** Pasukite raktelio jungiklį (D, pav. 6) į įjungimo / paleidimo padėtį.

PASTABA Norėdami pailginti starterio naudojimo laiką, naudokite trumpus užvedimo ciklus (maks. penkių sekundžių trukmės). Palaukite apie 1 minutę tarp paleidimo ciklų.

Pastaba: Jeigu variklis neužsiveda po kelių bandymų, kreipkitės į vietinį pardavimo atstovą arba apsilankykite **BRIGGSandSTRATTON.com** arba skambinkite **1-800-233-3723 (JAV)**.

Droselio sistema

1. Patikrinkite variklio alyvą. Žiūrėkite skyrių **Alyvos lygio tikrinimas**.
2. Įsitinkite, kad įrangos pavaros valdikliai, jeigu tokie yra sumontuoti, yra atjungti.
3. Degalų tiekimo išjungimo vožtuvą (A, pav. 6) (jei yra) nustatykite į atidarytą (OPEN) padėtį.
4. Sklendės valdiklį (B, pav. 6), jei yra, nustatykite į padėtį FAST (greitas). Variklį užveskite įjungę jį į padėtį FAST (greitas).
5. Nustatykite oro sklendės valdiklį (C, pav. 6) į uždarytą padėtį. Modeliams su derinio droseline sklende / sklende (B C) nustatykite valdiklį į DROSELINĖS sklendės padėtį.

Pastaba: Užvedant pašildytą variklį droselinė sklendė dažniausiai nereikalinga.

6. **Rankinis starteris, jeigu yra:** Pasukite raktelio jungiklį (D, pav. 6) į įjungimo / paleidimo padėtį.
7. **Rankinis starteris, jeigu yra:** Tvirtai laikykite suėmę starterio laido rankeną (E, pav. 6). Lėtai traukite starterio laido rankeną tol, kol pajusite pasipriešinimą, tuomet staigiai truktelėkite.



ĮSPĖJIMAS

Greitas starterio laido įtraukimas (atatranka) patrauks jūsų plaštaką ir ranką link variklio greičiau, nei jūs galėsite jį paleisti. Dėl to gali būti sulaužyti, įskelti kaulai, gali atsirasti sumušimų arba patempimų. Užvesdami variklį, lėtai traukite starterio laidą tol, kol pajusite pasipriešinimą, tuomet staigiai truktelėkite, kad išvengtumėte atatrankos.

8. **Elektrinis starteris, jeigu yra:** Pasukite raktelio jungiklį (D, pav. 6) į įjungimo / paleidimo padėtį.

PASTABA Norėdami pailginti starterio naudojimo laiką, naudokite trumpus užvedimo ciklus (maks. penkių sekundžių trukmės). Palaukite apie 1 minutę tarp paleidimo ciklų.

9. Kai variklis įšils, nustatykite oro sklendės valdiklį (C, pav. 6) į atidarytą padėtį. Modeliams su derinio droseline sklende / sklende (B C) nustatykite valdiklį į greitą (FAST) padėtį.

Pastaba: Jeigu variklis neužsiveda po kelių bandymų, kreipkitės į vietinį pardavimo atstovą arba apsilankykite **BRIGGSandSTRATTON.com** arba skambinkite **1-800-233-3723 (JAV)**.

Variklio sustabdymas



ĮSPĖJIMAS



Degalai ir jų garai yra labai degūs bei gali sprogti.

Ugnis ar sprogimas gali nudeginti arba sukelti mirtį.

- Neuždarykite karbiuratoriaus oro sklendės, norėdami sustabdyti variklį.

1. **Raktelio jungiklis, jei įrengtas:** Sklendės valdikliui esant greitų (FAST) apsučių padėtyje, pasukite raktelio jungiklį (D, pav. 6) į išjungimo padėtį (OFF). Išimkite raktelį ir laikykite jį vaikams nepasiekiamoje vietoje.
Paleidimo / sustabdymo mygtukas, jei yra: Sklendės valdikliui esant greitų (FAST) apsučių padėtyje, paspauskite paleidimo / sustabdymo mygtuką (F, pav. 6).
2. Varikliui išsijungus, degalų tiekimo išjungimo vožtuvą (A, pav. 6) (jei įrengtas) nustatykite į uždarytą (CLOSED) padėtį.

Techninė priežiūra

PASTABA Jeigu variklis atliekant priežiūrą paverčiamas ir jeigu degalų bakas sumontuotas ant variklio, degalai turi būti išleisti, o ta pusė, kurioje yra uždegimo žvakė, turi būti pakelta. Jeigu degalų bakas nėra tuščias, o variklis paverčiamas bet kuria kryptimi, jį gali būti sunku užvesti dėl alyva arba benzinu užteršto oro filtro ir (arba) uždegimo žvakės.



ĮSPĖJIMAS

Atlikdami techninę priežiūrą, kai įranga turi būti apversta, įsitinkite, kad degalų bakas yra tuščias, nes gali išsilieti degalai ir įvykti gaisras arba sprongimas.

Mes rekomenduojame jums naudotis įgalioto „Briggs & Stratton“ techninės priežiūros atstovo paslaugomis variklio remontui ir dalims įsigyti.

PASTABA Visos detalės, panaudotos šiam variklyje, turi būti savo vietose.



ĮSPĖJIMAS



Netyčinis uždegimas gali sukelti gaisrą arba elektros smūgį.

Netyčinis užvedimas gali baigtis galūnių įtraukimu, traumuojančia amputacija arba plėštinėmis žaizdomis.

Gaisro pavojus

Prieš atlikdami reguliavimo arba remonto darbus:

- Atjunkite uždegimo žvakės laidą ir laikykite jį atokiai nuo uždegimo žvakės.
- Atjunkite akumuliatorių (varikliuose su elektriniu užvedimu).
- Naudokite tik darbui tinkamus įrankius.
- Nelieskite regulatoriaus spyruoklės arba kitų variklio dalių, galinčių paveikti variklio greitį.
- Keičiamos atsarginės dalys privalo būti to paties dizaino ir sumontuotos toje pačioje padėtyje kaip ir originalios dalys. Kitos dalys gali veikti netinkamai, sugadinti įrenginį ir sąlygoti sužalojimą.
- Nedaužykite smagračio plaktuku arba kietu daiktu. Jis gali subyrėti.

Tikrindami, ar kyla kibirkštis:

- Naudokite patvirtintą uždegimo žvakės bandiklį.
- Netikrinkite, ar kyla kibirkštis, kai uždegimo žvakė yra išimta.

Išmetamųjų teršalų kontrolės priežiūra

Išmetamųjų teršalų kontrolės prietaisų ir sistemų techninę priežiūrą, keitimo ar remonto darbus gali atlikti bet koks visureigių variklių remonto centras arba remontu užsiimantis fizinis asmuo. Vis dėlto, norint už išmetamųjų teršalų kontrolės paslaugą nieko nemokėti, darbus turi atlikti gamyklos įgaliotasis atstovas. Žr. informaciją apie išmetamųjų teršalų kontrolę.

Techninės priežiūros grafikas

Po pirmųjų 5 darbo valandų
• Pakeiskite alyvą ³
Kas 8 darbo valandas arba kasdien

<ul style="list-style-type: none"> • Patikrinkite variklio alyvos lygį • Nuvalykite purvą aplink duslintuvą ir valdymo elementus • Išvalykite oro įsiurbimas grotelės
Kas 25 valandų arba kasmet
<ul style="list-style-type: none"> • Išvalykite oro filtrą ¹ • Išvalykite pirminį filtrą (jei yra) ¹
Kas 50 valandų arba kasmet
<ul style="list-style-type: none"> • Pakeiskite variklio alyvą ⁴ • Pakeiskite oro filtrą (jeigu yra) ⁴ • Atlikite išmetimo sistemos techninę priežiūrą
Kas 100 valandų arba kasmet
<ul style="list-style-type: none"> • Pakeiskite variklio alyvą ⁵ • Pakeiskite alyvos filtrą (jeigu yra) ⁵
Kasmet
<ul style="list-style-type: none"> • Pakeiskite uždegimo žvakę • Pakeiskite oro filtrą • Pakeiskite pirminio valymo filtrą (jei yra) • Pakeiskite kuro filtrą (jeigu yra) • Atlikite degalų sistemos techninę priežiūrą • Atlikite aušinimo sistemos techninę priežiūrą ¹ • Patikrinkite tarpus aplink vožtuvą ²

¹ Dulktomis sąlygomis arba kai ore yra teršalų, valykite dažniau.

² Nereikia, nebent pastebite variklio veikimo problemų.

³ Tik varikliai be alyvos filtro.

⁴ Varikliai be alyvos filtro arba su standartiniu juodu alyvos filtru (žr. **Techninės sąlygos** detalės numerio psl.).

⁵ Varikliai su didelio našumo geltonu arba oranžiniu alyvos filtru (žr. **Techninės sąlygos** detalės numerio psl.).

Elektroninė kuro valdymo sistema

Elektroninė kuro valdymo sistema stebi variklio temperatūrą, jo greitį ir akumuliatoriaus įtampą siekiant sureguliuoti sklendę variklį užvedant ir jam išilant. Sistema nereguliuojama. Pasireiškus užvedimo ar veikimo triktims, susisiekite su įgaliotu „Briggs & Stratton“ atstovu.

PASTABA Būtinai vadovaukitės toliau aprašytais veiksmais, nes, priešingu atveju, elektroninė kuro valdymo sistema gali neveikti.

- Niekada neužveskite variklio, jei akumuliatoriaus laidai yra palaidai.
- Prieš atjungdami, nuimdami ir (arba) montuodami akumuliatorių raktelį pasukite į išjungimo padėtį.
- Niekada nenaudokite variklio įkroviklio variklį užvesti.
- Niekada neatjunkite akumuliatoriaus laidų varikliui veikiant.
- Prijungdami akumuliatorių, pirmiausia prie jo prijunkite teigiamo poliaus (+) laidą, po to neigiamo poliaus (-) laidą.
- Kraudami akumuliatorių užvedimo mygtuką pasukite į išjungimo (off) padėtį ir atjunkite akumuliatoriaus neigiamo poliaus (-) laidą.
- Nepurškite vandens tiesiogiai ant elektroninio valdiklio elemento.

Karbiuratoriaus ir variklio greitis

Jokiu būdu nemėginkite keisti karbiuratoriaus arba variklio greičio. Gamykloje karbiuratorius buvo nustatytas daugeliu atveju veikti efektyviai. Nelieskite regulatoriaus spyruoklės, jungčių ir kitų dalių, galinčių turėti įtakos variklio greičiui. Jei reikia atlikti kokius nors pakeitimus, susisiekite su „Briggs & Stratton“ įgaliotu techninės priežiūros centru.

PASTABA Įrangos gamintojas nurodo didžiausias variklio apsakas, kai jis sumontuotas šioje įrangoje. **Neviršykite** šių apsakų. Jei nežinote, koks didžiausias greitis yra nustatytas arba kokį nustatė gamykla, susisiekite su „Briggs & Stratton“ įgaliotu techninės priežiūros centru. Kad įranga būtų saugiai ir tinkamai naudojama, variklio apsakas reguliuoti turi tik kvalifikuotas techninės priežiūros specialistas.

Uždegimo žvakių priežiūra

Žiūrėkite paveikslėlį: 7

Patikrinkite tarpelį (A, pav. 7) matuokliu (B). Jeigu reikia, sureguliuokite tarpelį. Įdėkite ir priveržkite uždegimo žvakę atitinkama jėga. Ieškokite tarpelio ir sukimo momento duomenų skyriuje **Specifikacijos**.

Pastaba: Kai kuriose vietovėse vietiniai įstatymai reikalauja naudoti specialias uždegimo žvakes su varžomis, kurios slopina uždegimo signalus. Jeigu jūsų variklyje yra tokios žvakės, naudokite tokias pačias žvakes ir keitimui.

Išmetimo sistemos techninė priežiūra



ĮSPĖJIMAS

Veikiant varikliui, išskiriama šiluma. Variklio dalys, dažniausiai duslintuvas, labai įkaista.

Prisilietus, galima stipriai nudegti.

Degios šiukšlės, pavyzdžiui, lapai, žolė, krūmai ir kt., gali užsiliepsnoti.

- Prieš liesdami duslintuvą, variklio cilindrą ir rotorius briaunas, palaukite, kol šios dalys atvės.
- Nuvalykite purvą aplink duslintuvą ir cilindrą.
- Šio variklio negalima naudoti ant neapdirbto miško, krūmynų ar žolės paviršių, jei variklio išmetimo sistemoje neįrengtas kibirkščių stabdiklis, atitinkantis galiojančius vietos arba valstijų įstatymus, nes tai prieštarauja Kalifornijos valstybinių išteklų kodekso 4442 skyriuje išdėstytais nuostatomis (angl. „California Public Resource Code Section 4442“). Kitose valstijose gali galioti panašūs įstatymai. Jūs galite įsigyti kibirkšties gaudyklį, pritaikytą Jūsų išmetimo sistemai, iš originalios įrangos gamintojo, pardavėjo arba atstovo.

Nuvalykite purvą aplink duslintuvą ir cilindrą. Apžiūrėkite duslintuvą, ant jo neturi būti įskilimų, rūdžių ar kitų pažeidimų. Nuimkite duslintuvo kreiptuvą arba kibirkščių slopintuvą, jeigu toks yra, ir apžiūrėkite, ar nėra pažeistas ir užsikimšęs suodžiais. Jeigu radote pažeidimų, pakeiskite detales prieš įrangos naudojimą.



ĮSPĖJIMAS

Keičiamos atsarginės dalys privalo būti to paties dizaino ir sumontuotos toje pačioje padėtyje kaip ir originalios dalys. Kitos dalys gali veikti netinkamai, sugadinti įrenginį ir sąlygoti sužalojimą.

Pakeiskite variklio alyvą

Žr. paveikslėlį: 8, 9, 10, 11

Panaudota, sena alyva yra pavojingos atliekos, kurias reikia tinkamai sunaikinti. Neišmeskite jų kartu su buitinėmis atliekomis. Dėl saugaus išmetimo tausojant aplinką, kreipkitės į vietos valdžios institucijas, techninio aptarnavimo centrą arba atstovą.

Alyvos išpylimas

1. Variklį išjungus, bet jam dar esant šiltam, atjunkite uždegimo žvakės laidą (D, 8 pav.) ir patraukite jį nuo uždegimo žvakės (E).
2. Išimkite alyvos lygio matuoklį (A, pav. 9).

Alyvos išleidimo kamštis, jei yra

1. Išsukite alyvos išleidimo kamštį (F, pav. 10). Išpilkite alyvą į tinkamą indą.

Pastaba: Variklyje gali būti bet kuris iš alyvos išleidimo kamščių (G, 10 pav.).

2. Išleisdę alyvą, įstatykite ir užsukite alyvos išleidimo kamštį (F, pav. 10).

Greitas alyvos išleidimas, jei yra

1. Atjunkite greito alyvos išleidimo žarnelę (H, pav. 11) nuo variklio šono.
2. Paverskite ir nuimkite alyvos išleidimo dangtelį (I, pav. 11). Atsargiai nuleiskite greito alyvos išleidimo angą (H) į atitinkamą talpą (J).
3. Išleisdę alyvą, įstatykite greito alyvos išleidimo dangtelį (I, pav. 11). Prijunkite greito alyvos išleidimo žarnelę (H) prie variklio šono.

Pakeiskite oro filtrą, jeigu jis yra.

Kai kuriuose modeliuose įrengtas pasirenkamas alyvos filtras. Keitimo intervalai nurodyti **Techninės priežiūros grafike**.

1. Išleiskite alyvą iš variklio. Žr. skyriuje „**Alyvos išleidimas**“.

2. Išimkite alyvos filtrą (K, pav. 9) ir jį tinkamai utilizuokite.
3. Prieš įdėdami naują alyvos filtrą, šiek tiek patepkite alyvos filtro tarpiklį nauja švaria alyva.
4. Sukite alyvos filtrą ranka, kol tarpiklis prisilies prie alyvos filtro adapterio, tuomet priveržkite alyvos filtrą 1/2–3/4 pasukimo.
5. Įpilkite alyvos. Žr. skyriuje „**Alyvos įpylimas**“.
6. Užveskite variklį ir palikite jį veikti. Varikliui išilus, patikrinkite, ar nelaša alyva.
7. Išjungę variklį, patikrinkite alyvos lygį. Teisingas alyvos lygis yra lygio matuoklio pilno bako indikatorius viršuje (B, pav. 9).

Alyvos įpylimas

- Įsitinkite, kad variklis yra horizontalioje padėtyje.
- Nuvalykite purvą nuo alyvos pildymo vietos.
- Informacijos apie alyvos bako talpą ieškokite skyriuje **Specifikacijos**.

1. Ištraukite lygio matuoklį (A, pav. 9) ir nušluostykite jį švaria šluoste.
2. Lėtai pilkite alyvą į variklio alyvos įpylimo angą (C, 9 pav.). **Neperpilkite.** Pripylę alyvos, palaukite vieną minutę ir patikrinkite alyvos lygį.

Pastaba: Nepilkite alyvos pro greito alyvos išleidimo kamštį, (H, pav. 11), jei įrengtas.

3. Įstatykite ir priveržkite lygio matuoklį (A, pav. 9).
4. Ištraukite matuoklį ir patikrinkite alyvos lygį. Teisingas alyvos lygis yra lygio matuoklio pilno bako indikatorius viršuje (B, pav. 9).
5. Vėl įstatykite ir priveržkite lygio matuoklį (A, 9 pav.).
6. Prijunkite uždegimo žvakės laidą (D, 8 pav.) prie uždegimo žvakės (E).

Oro filtro techninė priežiūra

Žr. paveikslėlių: 12, 13



ISPĖJIMAS
Degalai ir jų garai yra labai degūs ir gali sprogti.

Ugnis arba sprogdimas gali nudeginti arba sukelti mirtį.

- Niekada neužveskite ir nenaudokite variklio be oro valymo bloko (jei įrengtas) arba oro filtro (jeigu įrengtas).

PASTABA Nevalykite filtro suslėgtu oru arba tirpikliais. Suslėgtas oras gali sugadinti filtrą, o tirpikliai gali jį ištrinti.

Informacijos apie aptarnavimo reikalavimus ieškokite **Techninės priežiūros grafike**.

Skirtinguose modeliuose naudojami porolono arba popieriaus filtrai. Tam tikruose modeliuose yra sumontuotas pirminio valymo filtras, kurį galima išplauti ir panaudoti kelis kartus. Palyginkite iliustracijas šiame vadove su jūsų variklyje įdiegtu tipu ir atitinkamai atlikite techninę priežiūrą.

Popierinis oro filtras

1. Patraukite už dangčio rankenėlės (A, pav. 12). Pasukite dangčio rankenėlę link variklio ir dangtį nuimkite (B).
2. Išimkite pirminio valymo filtrą (C, pav. 12), jei yra, ir filtrą (D).
3. Norėdami pašalinti purvą, atsargiai patapšnokite filtrą (D, pav. 12) ant kieto paviršiaus. Jei filtras pernelyg purvinas, pakeiskite jį nauju.
4. Nuplaukite pirminio valymo filtrą (C, pav. 12) skysta plovimo priemone ir vandeniui. Palaukite, kol pirminio valymo filtras (C) gerai išdžius ore. Neužpilkite alyvos ant pirminio valymo filtro.
5. Pritvirtinkite sausą pirminio valymo filtrą (C, pav. 12) ir filtrą (D) prie variklio pagrindo (E).
6. Sulygininkite fiksatorius (F, pav. 12) dangtelyje (B) su orpūtės korpuso grioveliais (G)
7. Pasukite dangtelio rankenėlę (A, pav. 12) atgal ir pastumkite ją žemyn užrakinti vietoje.

Popierinis oro filtras

1. Atlaisvinkite fiksatorių (-ius) (A, 13 pav.).
2. Nuimkite dangtį (B, 13 pav.).
3. Norėdami nuimti filtrą (C, pav. 13), pakelkite filtro galą ir nutraukite filtrą nuo įsiurbimo angos (D).

4. Norėdami pašalinti purvą, atsargiai patapšnokite filtrą (C, 13 pav.) ant kieto paviršiaus. Jei filtras pernelyg purvinas, pakeiskite jį nauju.
5. Išimkite pirminio valymo filtrą (E, pav. 13), jei yra, iš filtro (C).
6. Nuplaukite pirminio valymo filtrą (E, pav. 13), jei yra, skysta plovimo priemone ir vandeniui. Palaukite, kol pirminio valymo filtras gerai išdžius ore. Neužpilkite alyvos ant pirminio valymo filtro.
7. Įmontuokite sausą pirminio valymo filtrą (E, pav. 13), jei yra, į filtrą (C).
8. Pritvirtinkite filtrą (C, pav. 13) ant įsiurbimo srities (D). Stumkite filtro galą žemyn į variklio pagrindą. Patikrinkite, ar filtras saugiai įtvirtintas variklio pagrinde.
9. Uždėkite oro filtro dangtelį (B, pav. 13) ir priveržkite fiksatoriumi (-iais) (A).

Degalų sistemos techninė priežiūra

Žr. paveikslėlių: 14, 15



ISPĖJIMAS
Degalai ir jų garai yra labai degūs ir gali sprogti.

Ugnis arba sprogdimas gali nudeginti arba sukelti mirtį.

- Saugokite degalus nuo kibirkščių, atviros ugnies, nuolat įjungtų dujų degiklių, šilumos ir kitų uždegimo šaltinių.
- Dažnai tikrinkite degalų linijas, degalų bako dangtelį ir montavimo dalis, ar jos nesusidėvėję arba neįskilę. Jei reikia, pakeiskite jį.
- Prieš degalų filtro valymą arba pakeitimą išpilkite degalus iš bako arba uždarykite degalų tiekimo vožtuvą.
- Degalams išsiliejus, prieš užvesdami variklį palaukite, kol jie išgaruos.
- Atsarginės dalys turi būti vienodos ir sumontuotos toje pačioje vietoje, kur buvo sumontuotos originalios dalys.

Degalų filtras, jeigu yra

1. Prieš valydami arba keisdami degalų filtrą (A, pav. 14) ištuštinkite degalų baką arba uždarykite degalų tiekimo išjungimo vožtuvą. Kitaip degalai gali išbėgti ir sukelti gaisrą arba sprogdimą.
2. Replėmis suspauskite kilpas (B, pav. 14), esančias ant gnybtų (C), ir nuimkite gnybtus nuo degalų filtro (A). Pasukinėkite ir atjunkite degalų žarnas (D) nuo degalų filtro.
3. Patikrinkite, ar degalų žarnelės (D, pav. 14) nėra įtrūkusios ir nesandarios. Jei reikia, pakeiskite jį.
4. Seną degalų filtrą (A, pav. 14) keiskite originaliu nauju filtru.
5. Gnybtais (C) pritvirtinkite degalų žarnas (D, pav. 14), kaip parodyta.

Degalų filtras, jeigu yra

1. Atsukite degalų bako dangtelį (A, pav. 15).
2. Išimkite degalų filtrą (B, pav. 15).
3. Jeigu degalų filtras yra nešvarus, išvalykite arba pakeiskite jį. Norėdami jį pakeisti, naudokite tik originalų naują filtrą.

Aušinimo sistemos techninė priežiūra



ISPĖJIMAS
Veikiant varikliui, išskiriama šiluma. Variklio dalys, dažniausiai duslintuvas, labai įkaista.

Prisilietus, galima stipriai nudegti.

Degios šiukšlės, pavyzdžiui, lapai, žolė, krūmai ir kt., gali užsiliepsnoti.

- Prieš liėsdami duslintuvą, variklio cilindrą ir rotorius briaunas, palaukite, kol šios dalys atvės.
- Nuvalykite purvą aplink duslintuvą ir cilindrą.

PASTABA Nenaudokite vandens, kai valote variklį. Vanduo gali patekti į degalus. Valymui naudokite šepetį arba švarų audeklą.

Šis variklis yra aušinamas oru. Purvas ir žolė gali užkimšti oro aušinimo sistemą ir variklis gali perkaisti. Tai sąlygos prastą variklio veikimą ir sutrumpins jo tarnavimo laikotarpį.

1. Nešvarumus nuo oro įsiurbimo srities pašalinkite šepetėliu arba sausa šluoste.
2. Jungtys, spyruoklės ir kitos variklio dalys turi būti švarios.
3. Duslintuvas ir plotas aplink jį turi būti švarūs.

4. Alyvos aušintuvo briaunos turi būti švarios.

Laikui bėgant nešvarumai gali kauptis ant cilindro briaunų, todėl variklis gali perkaisti. Šiuos nešvarumus galima pašalinti iš dalies išardžius variklį. Kreipkitės į įgaliotą „Briggs & Stratton“ techninės priežiūros atstovą, kad patikrintų ir išvalytų oro aušinimo sistemą, kaip rekomenduojama **Techninės priežiūros grafike**.

Laikymas



ISPĖJIMAS
Degalai ir jų garai yra nepaprastai degūs ir sproguš.

Ugnis arba sproginimas gali jus nudeginti arba užmušti.

Degalų arba įrenginio su pilnu degalų baku laikymas

- Saugokite atokiai nuo krosnių, viryklių, vandens šildytuvų ar kitų buitinių prietaisų su atvirais dujų degikliai arba kitų uždegimo šaltinių, nes jie gali uždegti degalų garus.

Degalų sistema

Žr. paveikslą: 16

Laikykite variklį horizontaliai (įprastoje darbo padėtyje). Pripilkite į degalų baką (A, pav. 16) degalų. Kad degalams būtų vietos plėstis, nepilkite degalų daugiau nei iki bako kaklelio (B).

Laikomi ilgiau nei 30 dienų, degalai gali pasenti. Dėl senų degalų degalų sistemoje arba pagrindinėse karbiuratoriaus dalyse susidaro rūgštis ir klįjūgų nuosėdų. Norėdami, kad degalai nepasentų, **naudokite „Briggs & Stratton“ naujos formulės degalų priedą ir stabilizatorių**, kurį galima įsigyti visur, kur tik prekiaujama originaliomis „Briggs & Stratton“ dalimis.

Jeigu į degalus pagal instrukciją pridėdama degalų stabilizatoriaus, jų iš variklio išleisti nereikia. Prieš palikdami variklį saugojimui, paleiskite jį maždaug dviem (2) minutėms, kad stabilizatorius būtų paskirstytas degalų sistemoje.

Jeigu į variklio benzinaž nebuvo įpilta degalų stabilizatoriaus, išpilkite jį į tinkamą indą. Leiskite varikliui veikti tol, kol pasibaigs degalai ir jis užges. Mes rekomenduojame įpilti degalų stabilizatoriaus į benzino laikymo baką, kad benzinas nepasentų.

Variklio alyva

Keiskite variklio alyvą, kol variklis šiltas. Žiūrėkite skyrių **Variklio alyvos keitimas**.

Trikčių šalinimas

Dėl pagalbos kreipkitės į vietinį pardavimo atstovą arba apsilankykite **BRIGGSandSTRATTON.com**, arba skambinkite **1-800-233-3723** (JAV).

Specifikacijos

Modelis: 210000	
Tūris	21.01 ci (344 cc)
Skersmuo	3.437 in (87,30 mm)
Cilindro eiga	2.264 in (57,51 mm)
Alyvos talpa - be filtro	42 - 44 oz (1,24 - 1,30 L)
Alyvos talpa - su filtru	46 - 48 oz (1,36 - 1,40 L)
Uždegimo žvakės tarpelis	0.030 in (0,76 mm)
Uždegimo žvakės sukimo momentas	180 lb-in (20 Nm)
Oro tarpelis tarp indukcinės ritės / smagračio	0.010 - 0.014 in (0,25 - 0,36 mm)
Įsiurbimo vožtuvo laisvumas	0.003 - 0.005 in (0,08 - 0,13 mm)
Išmetimo vožtuvo laisvumas	0.005 - 0.007 in (0,13 - 0,18 mm)

Modelis: 310000	
Tūris	30.59 ci (501 cc)
Skersmuo	3.563 in (90,49 mm)
Cilindro eiga	3.062 in (77,77 mm)
Alyvos talpa - be filtro	42 - 44 oz (1,24 - 1,30 L)
Alyvos talpa - su filtru	46 - 48 oz (1,36 - 1,40 L)
Uždegimo žvakės tarpelis	0.030 in (0,76 mm)

Modelis: 310000	
Uždegimo žvakės sukimo momentas	180 lb-in (20 Nm)
Oro tarpelis tarp indukcinės ritės / smagračio	0.010 - 0.014 in (0,25 - 0,36 mm)
Įsiurbimo vožtuvo laisvumas	0.003 - 0.005 in (0,08 - 0,13 mm)
Išmetimo vožtuvo laisvumas	0.005 - 0.007 in (0,13 - 0,18 mm)

Variklio galingumas mažesnis 3,5 % kas 1 000 pėdų (300 metrų) daugiau nei jūros lygis ir 1 % kas 10 °F (5,6 °C), kai bus daugiau nei 77 °F (25 °C). Variklis veiks patenkinamai iki 15° kampo. Naudojimo instrukcijoje rasite saugos instrukcijas leistinam darbui nuokalnėse.

Atsarginės dalys - modelis: 210000	
Atsarginė dalis	Dalies numeris
Oro filtras, popierinis (žr. 13 pav.)	796032
Oro filtras, pirminis, porolono (žr. pav. 13)	798911
Oro filtras, popierinis (žr. 12 pav.)	698413, 5079
Oro filtras, pirminis, porolono (žr. pav. 12)	697292, 5079
Alyva - „SAE 30“ (0,6 l)	100005
Alyva - „SAE 30“ (1,4 l)	100028
Alyvos filtras	492932
Naujos formulės degalų priedas ir stabilizatorius	100117, 100120
Kuro filtras – variklis be kuro siurblio	394358, 5098
Kuro filtras – variklis su kuro siurbliu	691035, 5065
Rezistorinė uždegimo žvakė	491055
Ilgalaikio naudojimo platininė uždegimo žvakė	5066
Uždegimo žvakės raktas	89838, 5023
Kibirkšties tikrintuvas	19368

Atsarginės dalys - modelis: 310000	
Atsarginė dalis	Dalies numeris
Oro filtras, popierinis (žr. 13 pav.)	796031
Oro filtras, pirminis, porolono (žr. pav. 13)	797704
Oro filtras, popierinis (žr. 12 pav.)	698083, 5077
Oro filtras, pirminis, porolono (žr. pav. 12)	697015, 5077
Oro filtras, plokščias ir plaunamas	697153, 5078
Alyva - „SAE 30“ (0,6 l)	100005
Alyva - „SAE 30“ (1,4 l)	100028
Alyvos filtras, standartinis - juodas	492932
Alyvos filtras, didelio našumo - geltonas	795890
Alyvos filtras, didelio našumo - oranžinis	798576
Naujos formulės degalų priedas ir stabilizatorius	100117, 100120
Kuro filtras – variklis be kuro siurblio	394358, 5098
Kuro filtras – variklis su kuro siurbliu	691035, 6065
Rezistorinė uždegimo žvakė	491055
Ilgalaikio naudojimo platininė uždegimo žvakė	5066
Uždegimo žvakės raktas	89838, 5023
Kibirkšties tikrintuvas	19368

Mes rekomenduojame jums naudotis įgaliotu „Briggs & Stratton“ techninės priežiūros atstovo paslaugomis variklio remontui ir dalims įsigyti.

Galios kategorijos: Atskirų benzininių variklių modelių bendrosios galios dydžiai pažymėti pagal SAE (automobilių inžinierių bendrija, angl. „Society of Automotive Engineers“) standartą Nr. J1940 „Mažų variklių galios ir sukimo momento įvertinimo procedūra“ ir įvertinami pagal SAE standartą Nr. J1995. Sukimo momento vertės nustatytos esant 2 600 APM tiems varikliams, kurių ženklavimo etiketėje nurodyta išnaša „apm“, o visiems kitiems varikliams – esant 3 060 APM; arklio galios vertės nustatytos esant 3 600 APM. Bendrosios galios kreives galima peržiūrėti tinklalapyje www.BRIGGSandSTRATTON.com. Tikrieji galios dydžiai nustatyti sumontavus išmetimo ir oro valymo filtrus, o bendrieji galios dydžiai nustatyti be šių priedų. Faktinis bendrasis variklio galingumas yra didesnis nei tikrojo variklio galingumas, ir, be kitų dalykų, jį veikia darbo aplinkos sąlygos, be to, galingumas priklauso ir nuo atskirų variklių tipų. Atsižvelgiant į įvairius gaminius, kuriuose montuojami varikliai, benzininis variklis, sumontuotas elektriniame įrenginyje, neišvystys numatytosios bendrosios galios. Šis skirtumas atsiranda dėl įvairių veiksmų, įskaitant, bet neapsiribojant, įvairiomis variklio sudedamosiomis dalimis (oro valymo, išmetimo, krovimo, aušinimo, karbiuratoriaus,

degalų filtro ir pan.), naudojimo apribojimais, darbinės aplinkos sąlygomis (temperatūra, drėgnumu, aukščiu virš jūros lygio) ir įvairių variklių tipų. Dėl gamybos ir pajėgumo apribojimų „Briggs & Stratton“ gali pakeisti variklį galingesniu varikliu.

Garantija

„Briggs & Stratton“ variklio garantija

Galioja nuo 2017 m. sausio mėn.

Ribotoji garantija

Bendrovė „Briggs & Stratton“ garantuoja, kad toliau nurodytu garantiniu laikotarpiu nemokamai taisys arba pakeis bet kokią šio gaminio dalį, kurioje yra medžiagų ir (arba) gamybos defektų. Pagal šią garantiją gabenimo išlaidas, patirtas vežant gaminį taisyti ar pakeisti, privalo padengti pirkėjas. Ši garantija galioja toliau nurodytą laikotarpį, esant toliau nurodytoms sąlygoms. Norėdami pasinaudoti garantinio aptarnavimo paslaugomis, susisiekite su artimiausiu įgaliotuoju techninio aptarnavimo atstovu, kurio adresą rasite tinklalapyje BRIGGSandSTRATTON.COM. Pirkėjas privalo kreiptis į įgaliotąjį techninės priežiūros atstovą, o tada pristatyti gaminį įgaliotajam techninės priežiūros atstovui apžiūrėti ir patikrinti.

Jokių kitų g arantijų nesuteikiama. Numanomos garantijos, įskaitant perkamumo ir tinkamumo konkrečiam tikslui garantijas, galioja toliau nurodytą garantinį laikotarpį arba tiek, kiek leidžiama pagal teisės aktus. Atsakomybės dėl atsitiktinių ar pasekminių nuostolių yra atsisakoma tiek, kiek tai leidžiama pagal įstatymus. Tam tikrose valstybėse apribojimai dėl numanomos garantijos draudžiami arba draudžiamas pašalinimas arba apribojimas dėl atsitiktinės arba pasekminės žalos, taigi pirmiau minėtas apribojimas arba pašalinimas jums gali būti netaikytinas. Ši garantija suteikia jums ypatingų teisių, tačiau jūs galite turėti ir kitokių teisių, kurios įvairiose valstybėse ir valstybėse gali skirtis ⁴.

Standartiniai garantijos terminai 1, 2, 3

Prekės ženklas / gaminio pavadinimas	Asmeninis naudojimas	Komerčinis naudojimas
„Vanguard™“; Komercinė serija	36 mėnesiai	36 mėnesiai
Varikliai su „Dura-Bore™“ ketaus įvorėmis	24 mėnesiai	12 mėnesių
Visi kiti varikliai	24 mėnesiai	3 mėnesiai

¹Šie terminai yra standartiniai, kartkartėmis jie gali būti papildyti arba pakeisti nurodant papildomas sąlygas, kurios nebuvo pateiktos leidimo metu. Norėdami sužinoti naujausią informaciją apie Jūsų variklio garantijos sąlygas, apsilankykite tinklalapyje BRIGGSandSTRATTON.com arba susisiekite su artimiausiu „Briggs & Stratton“ įgaliotuoju techninio aptarnavimo atstovu.

²Garantija nesuteikiama varikliams, sumontuotiems įrangoje, kuri naudojama energijai tiekti darbo vietoje, arba komerciniais tikslais naudojamuose rezerviniuose generatoriuose. Garantija netaikoma varikliams, naudojamiems sportinėms varžyboms ir lenktynėms arba komerciniuose bei nuomajamose automobiliuose.

³Rezerviniuose generatoriuose sumontuotiems „Vanguard“: 24 mėnesių garantija naudotojams ir jokios garantijos naudojant komerciniais tikslais. Universaliose transporto priemonėse sumontuotiems „Vanguard“: 24 mėnesių garantija naudotojams ir 24 mėnesių garantija naudojant komerciniais tikslais. Komercinė serija, kurios pagaminimo data yra iki 2017 m. liepos mėn. – 24 mėnesių garantija naudotojams ir 24 mėnesių garantija naudojant komerciniais tikslais.

⁴Australijoje – mūsų prekės parduodamos su garantijomis, kurių negalima neįtraukti pagal Australijos vartotojų teisių įstatymą. Jūs turite teisę į gaminio pakeitimą arba pinigų gražinimą didelio gedimo atveju arba atlyginimą už bet kokią pagrįstai iš anksto numatomą žalą arba nuostolius. Jūs taip pat turite teisę reikalauti, kad prekės būtų suremontuotos arba pakeistos tuo atveju, jeigu prekės yra nepriimtinos kokybės, o gedimas negali būti priskiriamas dideliu gedimui. Norėdami pasinaudoti garantinio aptarnavimo paslaugomis, kreipkitės į artimiausią įgaliotąjį techninio aptarnavimo atstovą, kurio adresą rasite tinklalapyje BRIGGSandSTRATTON.COM atstovų būstinių žemėlapyje, arba skambinkite tel. 1300 274 447, arba rašykite el. pašto adresu salesenquiries@briggsandstratton.com.au, arba rašykite įprasto pašto adresu Briggs & Stratton Australia Pty Ltd, 1 Moorebank Avenue, Moorebank, NSW, Australia (Australija), 2170.

Garantinis laikotarpis prasideda dieną, kai įrangą įsigyja pirmasis mažmeninis arba komercinis naudotojas. „Asmeninis naudojimas“ reiškia naudojimą asmeniniame gyvenamajame ūkyje, kai gaminį naudoja mažmenininkas. „Komercinis naudojimas“ reiškia naudojimą visais kitais tikslais, įskaitant komercinius, pajamų gavimo ar nuomos tikslus. Jeigu variklis buvo nors vieną kartą panaudotas komerciniais tikslais, jis bus priskirtas komercijos tikslais naudojamų variklių kategorijai ir jam bus taikoma atitinkama garantija.

Išsaugokite pirkimą patvirtinantį čekį. Jeigu garantinio laikotarpio metu, kai jums prireikia garantinių paslaugų, nepateiksite čekio, įrodančio pirmo pirkimo datą, garantinis laikotarpis bus skaičiuojamas nuo gaminio pagaminimo datos. Norint pasinaudoti „Briggs & Stratton“ ženklo gaminiams taikoma garantija, gaminių registruoti nereikia.

Dėl Jūsų garantijos

Šie garantiniai įsipareigojimai galioja tik su varikliu susijusiems nekokybiškoms medžiagoms ir (arba) darbams, o ne įrangos, kurioje variklis sumontuotas, keitimui ar jos kainos gražinimui. Ši garantija netaikoma planinei techninei priežiūrai, suderinimui, reguliavimui

arba įprastam susidėvimui. Taip pat garantija netaikoma, jeigu variklis buvo pakeistas ar perdarytas, arba jeigu variklio serijos numeris buvo pažeistas arba pašalintas. Ši garantija netaikoma variklio gedimams arba veikimo problemoms, atsiradusioms dėl:

1. neoriginalių „Briggs & Stratton“ detalių naudojimo;
2. Dėl variklio veikimo esant nepakankamam arba užterštam tepimui arba dėl netinkamo alyvos lygio;
3. pasenusių degalų, degalų, kurių sudėtyje yra daugiau negu 10 proc. etanolio arba kitos rūšies degalų, pvz., suskystintų naftos produktų ar gamtinių dujų, kurie nėra tinkami varikliams, pagamintiems „Briggs & Stratton“, naudojimo;
4. patekusio į variklį purvo dėl netinkamo oro filtro techninio aptarnavimo arba sumontavimo;
5. vejamųjų asmenų susidūrimo su objektu, atlaisvintųjų arba neteisingai sumontuotų asmenų adapterių, skriemulių arba alkūninio sujungimo dalių, arba pernelyg įtempto diržo;
6. susijusių dalių remonto arba reguliavimo, dalių, tokių kaip sankaba, transmisija, valdymo svirtys ir pan., kurios nėra tiekiamos bendrovės „Briggs & Stratton“;
7. perkaitinimo, kuris įvyko žolei, purvui patekus ant variklio ir užteršus aušinimo briaunas ir oro angas; ar dėl pažeidimo, kuris buvo padarytas varikliui veikiant be pakankamo aušinimo;
8. papildomos didelės vibracijos, kuri atsirado dėl atsilaisvintųjų variklio tvirtinimų, pjovimo peilių, nebalansuotų skriemulių, netinkamai sujungtų dalių su variklio korpusu arba per didelio greičio;
9. dėl netinkamo įrangos naudojimo, nesant reikiamos priežiūros, transportavimo, saugojimo arba netinkamo variklio sumontavimo.

Garantinį aptarnavimą atlieka tik įgaliotieji „Briggs & Stratton“ techninės priežiūros atstovai. Raskite artimiausią įgaliotąjį Techninės priežiūros atstovą mūsų atstovų paieškos žemėlapyje adresu BRIGGSandSTRATTON.COM arba paskambinę telefonu 1-800-223-3723 (JAV).

80004537 (C leid.)

Šajā rokasgrāmatā ir aprakstīta informācija par drošību, lai pasargātu Jūs no briesmām un riska, kuri pastāv saskarē ar dzinējiem un kā no tiem izvairīties. Tā arī satur instrukcijas dzinēja pareizai lietošanai un apkopei. Tāpēc, ka Briggs & Stratton Corporation ne vienmēr var zināt kādu aprikojumu dzinējs apgādās ar dzinējspēku, ir svarīgi izlasīt un izprast šīs instrukcijas, kā arī instrukcijas aprikojumam, kuru dzinējs apgādā ar dzinējspēku **Saglabājiet oriģinālās instrukcijas nākotnes uzziņām.**

Piezīme: Visi zīmējumi un apzīmējumi šajā Instrukcijā ir jāuztver kā vispārējā informācija, jo Jūsu tehnikas konkrētais modelis var atšķirties no zīmējumā parādītā. Ja Jums rodas jautājumi, lūdzam kontaktēties ar uzņēmuma izplatītāju.

Rezerves daļu pieprasīšanai vai tehniskai palīdzībai pierakstiet zemāk dzinēja modeļa, tipa un koda numurus kopā ar pirkšanas datumu. Šie numuri atrodas uz jūsu dzinēja (skatīt nodaļu Ipašības un vadības elementi).

Pirkuma datums:	
Dzinēja Modelis - Tips - Salona apdare	
Dzinēja sērijas numurs	

Atrodiet 2D svītru kodu, kas atrodas uz dažiem dzinējiem. Skatot ar iekārtu, kas ir aprīkota ar 2D funkcionalitāti, kods ļaus piekļūt mūsu interneta vietnei, kurā varēsiet iegūt tehniskās palīdzības informāciju šim produktam. Var tikt piemēroti tarifi par datu apjomu. Dažās valstīs tiešsaistes tehniskās palīdzības informācija var nebūt pieejama.



Otrreizējās pārstrādes informācija

		Visam iepakojumam, izlietotajai eļļai un akumulatoriem jāveic otrreizējā pārstrāde saskaņā ar spēkā esošajiem juridiskiem normatīviem.
--	--	--

Operatora drošība

Drošības brīdinājuma zīmes un signālvārdi

Drošības brīdinājuma simbols tiek lietots, lai norādītu uz drošības informāciju par riskiem, kas var izraisīt traumas. Tādi signālvārdi kā BĪSTAMI, BRĪDINĀJUMS vai UZMANĪBU, tiek izmantoti kopā ar brīdinājuma simbolu, lai norādītu uz traumas iespējamību un potenciālo bīstamību. Turklāt, lai norādītu riska tipu, var tikt lietots drošības signāls.

BĪSTAMI norāda uz risku, kas gadījumā, ja netiek novērsts, **var būt nāves vai nopietnu ievainojumu cēlonis.**

BRĪDINĀJUMS norāda uz risku, kas gadījumā, ja netiek novērsts, **var būt nāves vai nopietnu ievainojumu cēlonis.**

UZMANĪBU norāda uz risku, kas gadījumā, ja netiek novērsts, **var būt vieglu vai vidēji smagu ievainojumu cēlonis.**

IEVĒRĪBAI norāda uz situāciju, kas **var būt izstrādājuma bojājumu cēlonis.**

Bīstamības simboli un to nozīme

Zīme	Nozīme	Zīme	Nozīme
	Drošības informācija par bīstamām situācijām, kuru rezultātā var būt miesas bojājumus.		Pirms sākat strādāt ar šo iekārtu vai tās apkopeci, uzmanīgi izlasiet un izprotiet šo īpašnieka rokasgrāmatu.

Zīme	Nozīme	Zīme	Nozīme
	Uzliesmošanas risks		Sprādzienbīstami.
	Trieciena bīstamība.		Toksisku dūmu bīstamība
	Karstas virsmas bīstamība.		Trokšņa risks - ilgstošas lietošanas gadījumā tiek ieteikt lietot ausu aizsardzības līdzekļus.
	Izmetu priekšmetu risks - Lietojiet acu aizsardzības līdzekļus.		Sprādzienbīstami.
	Apsaldējumu bīstamība.		Atsietna bīstamība
	Amputācijas risks - kustīgas detaļas		Ķīmiska bīstamība
	Karstuma radīts risks		Kodīgs

Drošības paziņojumi



BRĪDINĀJUMS

Daži šī izstrādājuma un ar to saistīto piederumu komponenti satur ķīmikālijas, kas izraisa vēzi, iedzītas kaites vai citādi apdraud reproduktīvās funkcijas. Obligāti mazgājiet rokas pēc darba ar minētām daļām!



BRĪDINĀJUMS

Kalifornijas štatā tika konstatēts, ka izplūde no šīs iekārtas dzinēja satur ķīmikālijas, kas izraisa vēzi, iedzītas kaites vai citādi apdraud reproduktīvās funkcijas.



BRĪDINĀJUMS

Briggs & Stratton dzinēji nav paredzēti turpmāk uzskaitītai lietošanai, un tos nedrīkst lietot, lai darbinātu: izpriecu kartingus, kartingus, bērnu, atpūtas vai sporta bezceļu transportlīdzekļus (ATV); motociklus; transportlīdzekļus uz gaisa spilvena; lidojošas iekārtas vai transportlīdzekļus, kurus izmanto sacensībās, ko nav atļāvis Briggs & Stratton. Sīkākai informācijai par auto sacensību produktiem, skatiet www.briggsracing.com. Lietošanai ar pakalpojumu automašīnām un kvadracikliem, lūdzu, sazinieties ar Briggs & Stratton Engine Application Center, 1-866-927-3349. Nepareiza dzinēja lietošana var izraisīt smagas traumas vai nāvi.



BRĪDINĀJUMS



Degviela un tās tvaiki ir viegli uzliesmojošas un sprāgstošas vielas.

Uguns vai sprādziens var izraisīt smagus apdegumus vai nāvi.

Uzpildot degvielu

- Pirms noņemt degvielas tvertnes vāciņu, izslēdziet dzinēju un ļaujiet tam atdzist vismaz 3 minūtes.
- Uzpildiet degvielu tikai ārpus telpām vai labi vēdināmā vietā.
- Uzmanieties, lai degviela nesāktu pārlīst no degvielas tvertnes. Lai degviela varētu izplēsties, neuzpildiet augstāk par degvielas tvertnes kakliņa apakšmalu.
- Degvielas tuvumā nedrīkst būt dzirksteles, atklātas liesmas, signāllampiņas, siltuma avoti vai citi uzliesmošanas avoti.

- Bieži pārbaudiet visus degvielas kanālus, tvertni, vāciņu un stiprinājumus, vai tajos nav plaisu un sūču. Nomainiet, ja nepieciešams.
- Ja degviela izlīst, pagaidiet, kamēr tā iztvaiko, un tikai tad iedarbiniet dzinēju.

Iedarbinot dzinēju

- Pārliecinieties, ka aizdedzes svece, slāpētājs, degvielas tvertnes vāciņš un gaisa filtrs (ja uzstādīts) ir savās vietās un nofiksēti.
- Neiedarbiniet dzinēju, ja izņemta aizdedzes svece.
- Ja dzinējs pārplūst, iestatiet gaisa vārstu (ja uzstādīts) pozīcijā OPEN / RUN (ATVĒRTS/DARBINĀT), pārslēdziet droseļi (ja uzstādīta) pozīcijā FAST (ĀTRI) un iedarbiniet, līdz dzinējs sāk darboties.

Strādājot ar iekārtu

- Nesasveriet dzinēju vai iekārtu tādā leņķī, kas izraisa degvielas izlīšanu.
- Neslāpējiet karburatoru, lai apturētu dzinēju.
- Nekad neiedarbiniet vai nedarbiniet dzinēju, kad noņemts gaisa attīrītāja mezgls (ja ir aprīkojumā) vai gaisa filtrs (ja ir aprīkojumā).

Kad maināt eļļu

- Ja eļļa tiek izvadīta, izmantojot augšējo eļļas uzpildes cauruli, degvielas tvertnei jābūt tukšai, jo degviela var izplūst un var izraisīt aizdegšanos vai sprādzienu.

Ja iekārtu ir nepieciešams savvērt apkalpošanas veikšanai

- Veicot apkopes darbus, kuru laikā iekārtai ir jāatrodas savvērtā stāvoklī, uz dzinēja uzstādītajai degvielas tvertnei jābūt tukšai, pretējā gadījumā var notikt degvielas noplūde, kas var izraisīt uzliesmojumu vai sprādzienu.

Transportējot iekārtu

- Transportējiet ar TUKŠU degvielas tvertni vai ar degvielas slēgvārstu SLĒGTĀ pozīcijā.

Uzglabājot degvielu vai iekārtu ar degvielu tvertnē

- Turiet tos attālu no krāsnīm, boileriem un citām līdzīgām ierīcēm, kurām ir signāllampiņas, vai citiem uzliesmošanas avotiem, jo tie var aizdedzināt degvielas tvaikus.



BRĪDINĀJUMS

Dzinēja iedarbināšana izraisa dzirksteļošanu.

Dzirkstis var aizdedzināt klāt esošās uzliesmojošās gāzes.

Tas var izraisīt eksploziju un ugunsgrēku.

- Neiedarbiniet dzinēju, ja tuvumā ir dabasgāzes vai šķidrās propāna gāzes (LP) noplūde.
- Neizmantojiet saspīstus iedarbināšanas šķidrumus, jo to tvaiki var būt uzliesmojoši.



BRĪDINĀJUMS

INDĪGAS GĀZES BĪSTAMĪBA. Dzinēja izplūdes gāzes satur tvana gāzi, tā ir indīga gāze, kas var nogalināt jūs dažās minūtēs. **To NEVAR redzēt, saost vai sajūst ar garšu.** Pat tad, ja nevarat saost izplūdes dūmus, tāpat pastāv iespējamība, ka uz jums iedarbojas tvana gāze. Ja sajūtat nelabumu, reiboni vai vājumu, kad lietojat iekārtu, **NEKAVĒJOTIES izslēdziet to un izejiet svaigā gaisā.** Vērsieties pie ārsta. Iespējams, jums ir saindēšanās ar tvana gāzi.

- Darbiniet šo izstrādājumu **TIKAI** ārā atstātus no logiem, durvīm un ventilācijas atverēm, lai samazinātu risku, ka tvana gāze uzkrājas un potenciāli nokļūst dzīvojamā zonā.
- Uzstādiet tvana gāzes signalizatoru ar baterijām vai no līgšanas barojamus tvana gāzes signalizatorus ar bateriju rezerves barošanu saskaņā ar ražotāja instrukcijām. Dūmu detektori nevar konstatēt tvana gāzi.
- **NEDARBINIET** šo izstrādājumu mājās, garāžā, pagrabā, tehniskajos starpstāvos, šķūnī vai citā daļēji slēgtā telpā, pat ja izmantojat ventilatorus vai atverat durvis un logus, lai nodrošinātu ventilāciju. Šajās vietās tvana gāze var ātri uzkrāties un saglabāties vēl stundām pēc tam, kad izstrādājums ir izslēgts.
- **VIEMĒR** novietojiet šo izstrādājumu pa vējam un vērsiet dzinēja izplūdes gāzes tā, lai tās virzītos prom no apdzīvotām telpām.



BRĪDINĀJUMS

Startera auklas strauja ievilkšanās (atsiens) vils jūsu roku dzinēja virzienā ātrāk, kā jūs spēsiet atlaist roku.

Tas var izraisīt kaulu lūzumus, plīsumus, skrāpējumus vai zilumus.

- Iedarbinot dzinēju, lēnām velciet startera auklu līdz sajūtat pretestību, tad paraujiet strauji, lai izvairītos no atsiena.
- Pirms dzinēja iedarbināšanas noņemiet visas ārējās iekārtas/dzinēja noslodzi.
- Tieši pievienotām iekārtas sastāvdaļām, piemēram, bet ne tikai, asmeņiem, lāpstņirīteniem, trišiem, zobratiem u.tml. ir jābūt droši piestiprinātiem.



BRĪDINĀJUMS

Rotējošas daļas var pieskarties vai saistīties ar rokām, kājām, matiem, apģērbu vai piederumiem.

Rezultāts var būt traumatiska amputācija vai smagas plēstas brūces.

- Darbiniet iekārtu ar uzstādītiem aizsarglīdzekļiem.
- Turiet rokas un kājas atstātus no rotējošām daļām.
- Garus matus sasieniet un noņemiet rotaslietas.
- Nevalkājiat vaļīgu apģērbu, apģērbu ar brīvām auklām vai citiem elementiem, kas varētu aizķerties.



BRĪDINĀJUMS

Dzinēji strādājot uzkarst. dzinēja daļas, īpaši slāpētājs, ļoti stipri sakarst.

Pieskaroties tām var iegūt smagus apdegumus.

Tādas degošas vielas kā nokritušas koka lapas, zāle, krūmāji utt. var uzliesmot.

- Pirms pieskaraties, ļaujiet slāpētājam, dzinēja cilindram un ribām atdzist.
- Novāciet sakrājušos gružus no slāpētāja un cilindra virsmas.
- Tas klasificējas kā Kalifornijas Publisko resursu likuma, sadaļas 4442, pārkāpums izmantot dzinēju meža, krūmu vai zāles klātās teritorijās, ja izplūdes sistēma nav aprīkota ar dzirksteļu uztvērēju, kā norādīts sadaļā 4442, un tas netiek pienācīgi apkopts. Citās pavalstīs vai federālās jurisdikcijas spēkā var būt līdzīgi normatīvie akti. Sazinieties ar ražotāju, mazumtirgotāju vai izplatītāju, lai iegūtu dzirksteļu uztvērēju, kas paredzēts izplūdes sistēmai, kas uzstādīta šim dzinējam.



BRĪDINĀJUMS

Nejausa dzirksteļošana var izraisīt ugunsgrēku vai elektrisko šoku.

Nejausa iedarbināšana var izraisīt ieraušānu, traumātisku amputāciju vai plēstas brūces.

Uzliesmošanas risks

Pirms veikt regulēšanas vai remontdarbus:

- Atvienojiet svečvadu un atlociet to nost no aizdedzes sveces.
- Atvienojiet akumulatoru pie negatīvās spaiļes (tikai dzinējiem ar elektrisko aizdedzi).
- Izmantojiet tikai pareizos instrumentus.
- Nemodificējiet regulatora atsperi, atsaites vai citas daļas, lai palielinātu dzinēja ātrumu.
- Rezerves daļām jābūt vienādas konstrukcijas un uzstādītām tajā pašā vietā, kur oriģinālās daļas. Citas daļas var nekalpot tik labi, var bojāt mašīnu un var izraisīt ievainojumu.
- Nesitiet pa spararatu ar āmuru vai cietu priekšmetu, jo spararats vēlāk darbības laikā var saplīst.

Veicot dzirksteles pārbaudi:

- Lietojiet tikai sertificētos aizdedzes sveču testerus.
- Nepārbaudiet dzirksteli ar izņemtu aizdedzes sveci.

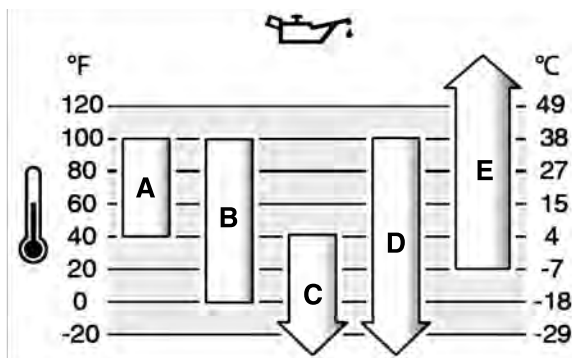
Funkcijas un vadības elementi

Dzinēja vadības elementi

Safīdziniet ilustrāciju (attēls: 1, 2, 3) ar jūsu dzinēju, lai iepazītos ar dažādām funkcijām un vadības elementu novietojumu.

- A. Dzinēja identifikācija **Modelis - Tips - Kods**
- B. Aizdedzes svece
- C. Gaisa tīrītājs
- D. Startera auklas rokturis (ja ir aprīkojumā)
- E. Mērstienis
- F. Eļļas iztecināšanas korķis
- G. Klusinātājs, klusinātāja aizsargs (ja ir aprīkojumā), dzirksteļu slāpētājs (ja ir aprīkojumā)
- H. Gaisa ieplūdes atveres režģis
- I. Gaisa ieplūdes atveres režģis
- J. Eļļas filtrs (ja ir aprīkojumā)
- K. Elektriskais starteris (ja ir aprīkojumā)
- L. Karburators
- M. Degvielas filtrs (ja ir aprīkojumā)
- N. Degvielas sūknis (ja ir aprīkojumā)
- O. Ātrā eļļas izlaišanas atvere (ja uzstādīta)
- P. Elektriskais vadības bloks (ja ir aprīkojumā)

Piemērotā dzinēja eļļas viskozitāte tiek izvēlēta, vadoties no āra temperatūras. Izmantojiet tabulu, lai izvēlētos labāko viskozitāti paredzamajam āra temperatūras diapazonam. Dzinēji vairumam ārpus telpām paredzētajām iekārtām labi darbojas ar 5W-30 sintētisko eļļu. Iekārtām, kas darbojas augstā temperatūrā, vislabāko aizsardzību nodrošina Vanguard™ 15W-50 sintētiskā eļļa.



A	SAE 30 - Ja SAE 30 eļļa tiek izmantota zem 40 ° F (4 ° C), tā varētu izraisīt apgrūtinātu iedarbināšanu.
B	10W-30 - Temperatūrās virs 80°F (27°C) 10W-30 var izraisīt palielinātu eļļas patēriņu. Biežāk pārbaudiet eļļas līmeni.
C	5W-30
D	Sintētiskā 5W30
E	Vanguard™ Synthetic 15W-50

Dzinēja vadības simboli un to nozīme

Simbols	Nozīme	Zīme	Nozīme
	Dzinēja ātrums - ĀTRS		Dzinēja ātrums - LĒNS
	Dzinēja ātrums - APTURĒTS		ON - OFF (IESLĒGTS / IZSLĒGTS)
	Dzinēja iedarbināšana - Drosele AIZVĒRTA		Dzinēja iedarbināšana - Drosele ATVĒRTA
	Degvielas tvertnes vāciņš Degvielas atslēgšana - ATVĒRTA		Degvielas atslēgšana - SLĒGTA
	Degvielas līmenis - Maksimums Nepārpildiet.		

Darbība

Ieteikumi par eļļu

Eļļas ietilpība: Skatiet *sadaļu Specifikācijas*.

IEVĒRĪBAI

Šis dzinējs tiek piegādāts no Briggs & Stratton bez eļļas. Iekārtas ražotāji vai izplatītāji var būt ielējuši eļļu dzinējā. Pirms iedarbināt dzinēju, pārbaudiet eļļas līmeni un uzpildiet eļļu saskaņā ar šīs rokasgrāmatas instrukcijām. Ja iedarbināsiet motoru bez eļļas, tas tiks sabojāts tā, ka to nevarēs salabot, un šādus bojājumus nesedz garantija.

Mēs iesakām izmantot Briggs & Stratton garantijas prasībām atbilstošas eļļas, lai nodrošinātu vislabāko iekārtas darbību. Citas eļļas ar mazgājošām piedevām drīkst lietot, ja to servisa klase ir SF, SG, SH, SJ vai augstāka. Neizmantojiet speciālās piedevas.

Pārbaudiet eļļas līmeni

Skatīt attēlu: 4

Pirms eļļas pieliešanas vai eļļas līmeņa pārbaudes

- Pārliedzieties, ka dzinējs ir horizontāli.
- Notīriet eļļas uzpildes zonu no gružiem.

1. Izņemiet mērstieni (A, attēls 4) un noslaukiet ar tīru drānu.
2. Uzstādiet un pievelciet mērstieni (A, attēls 4).
3. Izņemiet mērstieni un pārbaudiet eļļas līmeni. Pareizais eļļas līmenis ir pilnās tvertnes indikatora augšpusē (B, attēls 4) uz mērstieņa.
4. Ja eļļas līmenis ir zems, lēnām pieļiet eļļu motoreļļas iepildīšanas atverē (C, attēls 4). **Uzmanieties, lai nepārpildītu tvertni.** Pēc eļļas pieliešanas nogaidiet vienu minūti un pārbaudiet tās līmeni vēlreiz.

Piezīme: Nepielejiet eļļu pie ātrās eļļas izlaišanas atveres (ja tāda ir). Atrāšanās vieta norādīta sadaļā **Vadības elementi**.

5. Atkal montējiet un pievelciet mērstieni (A, attēls 4).

Sistēma aizsardzībai no zema eļļas līmeņa (ja uzstādīta)

Daži motori ir aprīkoti ar zema eļļas līmeņa sensoru. Ja eļļas līmenis ir zems, sensors vai nu aktivizēs brīdinājuma gaismu, vai arī apturēs motoru. Apturiet motoru un veiciet tālāk aprakstītās darbības pirms motora atkārtotas iedarbināšanas.

- Pārliedzieties, ka dzinējs atrodas horizontāli.
- Pārbaudiet eļļas līmeni. Skatiet nodaļu **Pārbaudiet eļļas līmeni**.
- Ja eļļas līmenis ir zems, pievienojiet atbilstošu eļļas apjomu. Iedarbiniet motoru un pārliedzieties, ka netiek aktivizēta brīdinājuma gaisma (ja tāda ir aprīkota).
- Ja eļļas līmenis ir zems, neiedarbiniet motoru. Sazinieties ar pilnvarotu Briggs & Stratton pārstāvi, lai tiktu veikta eļļas problēmas labošana.

Degvielas rekomendācijas

Degvielai jāatbilst sekojošām prasībām:

- Tīrs, bezsvina benzīns, kuram nav beidzies lietošanas termiņš.
- Oktānskaitlis vismaz 87 / 87 AKI (91 RON). Lietošana lielā augstumā, skatiet zemāk.
- Ir pieļaujams benzīns ar līdz 10% etanola līmenim.

IEVĒRĪBAI Neizmantojiet neapstiprināta veida benzīnu, piem., E15 vai E85. Nepieļaujiet benzīna eļļu un nemoģificēti motoru, lai tas darbotos ar citām degvielām. Neatļautu degvielas veidu izmantošana var izraisīt dzinēja daļu defektus, kurus nesegs garantija.

Lai aizsargātu degvielas sistēmu no nosēdumu veidošanās, pieļaujiet degvielai degvielas stabilizētāju. Skatiet nodaļu **Uzglabāšana**. Visas degvielas nav vienādas. Ja parādās iedarbināšanas vai snieguma problēmas, nomainiet degvielas piegādātāju vai marķu. Šis dzinējs ir sertificēts darbam ar benzīnu. Emisiju kontroles sistēma šim dzinējam ir EM (dzinēja modifikācijas).

Liels augstums

Strādājot vietās, kur augstums virs jūras līmeņa pārsniedz 5000 pēdas (1524 metrus), var lietot benzīnu, kura oktāna skaitlis ir vismaz 85 (minimums) / 85 AKI (89 RON).

Motorem ar karburatoru ir nepieciešams veikt īpašu pielāgošanu darbībai lielā augstumā, lai saglabātu sniegumu. Darbs bez šiem uzlabojumiem izraisīs samazinātu sniegumu, palielinās degvielas patēriņu un palielinās emisijas. Sazinieties ar pilnvarotu Briggs & Stratton pārstāvi, lai iegūtu informāciju par liela augstuma pielāgojumiem. Ja motors ir noregulēts darbībai lielā augstumā, nav ieteicams to lietot augstumā, kas zemāks par 2 500 pēdām (762 metriem) virs jūras līmeņa.

Motorem ar elektronisko degvielas iesmidzināšanu (Electronic Fuel Injection, EFI), darbam lielā augstumā īpaša pielāgošana nav nepieciešama.

Pieļaujiet degvielu

Skatīt attēlu 5



BRĪDINĀJUMS

Degviela un tā garaiņi ir ārkārtīgi viegli uzliesmojoši un sprādzienbīstami.

Uguns vai sprādziens var izraisīt smagus apdegumus vai nāvi.

Uzpildot degvielu

- Pirms noņemt degvielas tvertnes vāciņu, izslēdziet motoru un ļaujiet tam atdzist vismaz 2 minūtes.
 - Uzpildiet degvielu tikai ārpus telpām vai labi vēdināmās telpās.
 - Uzmanieties, lai degviela nesāktu pārplūst no degvielas tvertnes. Lai ļautu degvielai izplesties, neuzpildiet pāri degvielas tvertnes kakliņa apakšai.
 - Degvielas tuvumā nedrīkst būt dzirksteles, atklātas liesmas, signāllampīņas, siltuma avoti vai citi uzliesmošanas avoti.
 - Bieži pārbaudiet visus degvielas kanālus, tvertni, vāciņu un stiprinājumus, vai tajos nav plaisu un sūču. Nomainiet, ja nepieciešams.
 - Ja degviela izlīst, pagaidiet, kamēr tā iztvaiko, un tikai tad iedarbiniet motoru.
1. Noīriet degvielas tvertnes vāciņu no netīrumiem un gružiem. Noņemiet degvielas tvertnes vāciņu.
 2. Piepildiet degvielas tvertni (A, attēls 5) ar degvielu. Lai degviela varētu izplesties, neuzpildiet virs degvielas tvertnes ielietnes kakliņa apakšu (B).
 3. Uzlieciet atpakaļ degvielas tvertnes vāciņu.

Motora iedarbināšana un apturēšana

Skatīt attēlu: 6

Iedarbiniet dzinēju



BRĪDINĀJUMS

Startera auklas strauja ievilkšanās (atsitiens) vilks jūsu roku motora virzienā ātrāk nekā jūs spēsiet atlaist roku.

Tas var izraisīt kaulu lūzumus, plīsumus, skrāpējumus vai zilumus.

- Kad iedarbināt motoru, pavelciet startera auklu lēnām, līdz ir jūtama pretestība, un pēc tam paraujiet strauji, lai izvairītos no atsitienu.



BRĪDINĀJUMS

Degviela un tās garaiņi ir ārkārtīgi viegli uzliesmojoši un sprādzienbīstami.

Uguns vai sprādziens var izraisīt smagus apdegumus vai nāvi.

Iedarbinot dzinēju

- Pārbaudiet, vai aizdedzes svece, slāpētājs, degvielas tvertnes vāciņš un gaisa tīrītājs (ja uzstādīts) ir savās vietās un nofiksēti.
- Neiedarbiniet motoru, ja ir noņemta aizdedzes svece.
- Ja motors pārplūst, iestatiet gaisa vārstu (ja uzstādīts) pozīcijā OPEN / RUN (ATVĒRTS/DARBINĀT), pārslēdziet droseļi (ja uzstādīts) pozīcijā FAST (ĀTRI) un iedarbiniet, līdz motors sāk darboties.



BRĪDINĀJUMS

INDĪGAS GĀZES BĪSTAMĪBA. Motora izplūdes gāzes satur tvana gāzi, tā ir indīga gāze, kas var izraisīt nāvi dažās minūtēs. **To NEVAR redzēt, saost vai sajaut ar garšu. Pat tad, ja nevarat saost izplūdes dūmus, vienlīga pastāv iespējāmība, ka uz jums iedarbojas tvana gāze. Ja sajūtat nelabumu, reiboni vai vājumu, kamēr lietojat šo izstrādājumu, NEKAVĒJOTIES izslēdziet to un izejiet svaigā gaisā. Sazinieties ar ārstu. Iespējams, jums ir saindēšanās ar tvana gāzi.**

- Lietojiet šo izstrādājumu TIKAI ārpus telpām, prom no logiem, durvīm vai ventilācijas lūkām, lai samazinātu risku, ka oglekļa monoksīds var sakrāties un nokļūt dzīvojamās telpās.
- Uzstādiet tvana gāzes signalizatoru ar baterijām vai no kontaktligzdas barojamus tvana gāzes signalizatorus ar rezerves barošanu no baterijām saskaņā ar ražotāja instrukcijām. Dūmu detektori nevar konstatēt tvana gāzi.
- NEDARBINIET šo izstrādājumu mājās, garāžā, pagrabā, tehniskajos starpstāvos, šķūnī vai citā daļēji slēgtā telpā, pat ja izmantojat ventilatorus vai atverat durvis un logus, lai nodrošinātu ventilāciju. Šajās vietās tvana gāze var ātri uzkrāties un saglabāties vēl vairākas stundas pēc tam, kad izstrādājums ir izslēgts.
- Šo izstrādājumu VIENMĒR novietojiet pa vējam un tā, lai dzinēja izplūdes gāzes būtu novirzītas prom no dzīvojamām telpām.

IEVĒRĪBAI Šis motors tiek piegādāts no Briggs & Stratton bez eļļas. Pirms iedarbināt motoru, uzpildiet eļļu saskaņā ar šīs rokasgrāmatas instrukcijām. Ja iedarbināsiet motoru bez eļļas, tas tiks sabojāts bez iespējas veikt labojumus, un šādus bojājumus nesedz garantija.

Noskaidrojiet, kāda ir iedarbināšanas sistēma

Pirms dzinēja iedarbināšanas, jums jānoskaidro kāda ir jūsu dzinēja iedarbināšanas sistēma. Jūsu dzinējam var būt kāda no sekojošo tipu iedarbināšanas sistēmām.

- **ReadyStart® sistēma:** Tā ir aprīkota ar automātisku gaisa vārstu, kas tiek vadīts atkarībā no temperatūras. Šī tipa sistēmai nav degvielas sūkniša.
- **Elektroniskā degvielas vadības sistēma:** Tā ir aprīkota ar elektronisko vadības bloku, kas pārtrauc dzinēja temperatūras apstākļus. Šim tipam nav manuāla gaisa vārsta vai degvielas sūkniša.
- **Gaisa vārsta sistēma:** Sistēmai ir gaisa vārsts, kas jāizmanto lai iedarbinātu pie vēsām temperatūrām. Daži modeļi var būt aprīkoti ar atsevišķu gaisa vārsta vadību, kamēr citiem var būt apvienota gaisa vārsta/droseles vadība. Šī tipa sistēmai nav degvielas sūkniša.

Lai iedarbinātu jūsu dzinēju, ievērojiet tā tipa iedarbināšanas sistēmas instrukcijas, kāda ir jūsu dzinējam.

Piezīme: Iekārta var tikt aprīkota ar distancē vadību. Par distancē vadības izvietošanu un darbināšanu skatīt iekārta rokasgrāmatu.

ReadyStart® sistēma

1. Pārbaudiet dzinēja eļļu. Skatiet nodaļu **Pārbaudiet eļļas līmeni**.
2. Pārļiecinieties, ka iekārta piedziņas vadības elementi, ja ir aprīkojumā, ir atvienoti.
3. Pagrieziet degvielas noslēgvārstu (A, attēls 6), ja tāds ir uzstādīts, pozīcijā OPEN (atvērts).
4. Virziet droseles vadību (B, attēls 6), ja ir aprīkojumā, uz FAST (ĀTRS) stāvokli. Darbiniet motoru FAST (ātrajā) pozīcijā.

Piezīme: Lai iedarbinātu zemā temperatūrā (zem 32° F), pārvietojiet kombinēto gaisa vārsta/droseles sviru (B C, attēls 6) uz CHOKE (drosele) pozīciju.

5. **Ar atslēgu darbināms slēdzis, ja ir aprīkojumā:** Pagrieziet slēdzi ar atslēgu (D, attēls 6) uz ON/START (ieslēgts/iedarbināšana) pozīciju.

Iedarbināšanas/apturēšanas poga, ja ir aprīkojumā: Nospiediet iedarbināšanas/apturēšanas pogu (F, attēls 6).

IEVĒRĪBAI IEVĒRĪBAI: Lai pagarinātu startera darbību, veiciet īsus palaišanas ciklus (maksimāli piecas sekundes). Starp palaišanas cikliem nogaidiet vienu minūti.

Piezīme: Ja dzinējs pēc vairākiem mēģinājumiem neiedarbojas, sazinieties ar vietējo izplatītāju vai pārejiet uz **BRIGGSandSTRATTON.com** vai zvaniet uz **1-800-233-3723 (ASV)**.

Elektroniskā degvielas vadības sistēma

1. Pārbaudiet dzinēja eļļu. Skatiet nodaļu **Pārbaudiet eļļas līmeni**.
2. Pārliecinieties, ka iekārtas piedziņas vadības elementi, ja ir aprīkojumā, ir atvienoti.
3. Pagrieziet degvielas noslēgvārstu (A, attēls 6), ja tāds ir uzstādīts, pozīcijā OPEN (atvērts).
4. Virziet droseles vadību (B, attēls 6), ja ir aprīkojumā, uz FAST (ĀTRS) stāvokli. Darbiniet motoru FAST (ātrajā) pozīcijā.
5. **Iegriežamais starteris (Rewind Starter), ja tas ir aprīkojumā:** Pagrieziet slēdzi ar atslēgu (D, attēls 6) uz ON/START (ieslēgts/iedarbināšana) pozīciju.
6. **Iegriežamais starteris (Rewind Starter), ja tas ir aprīkojumā:** Stingri satveriet startera virves rokturi (E, attēls 6). Lēnām velciet startera auklas rokturi, līdz sajūtat pretestību, tad raujiet strauji.



BRĪDINĀJUMS

Strauja startera auklas ieraušana atpakaļ (atsitiens) var paraut plaukstu un roku uz motora pusi ātrāk nekā jūs varēsiet palaist to vaļā. Tas var izraisīt kaulu lūzumus, plīsumus, skrāpējumus vai zilumus. Kad iedarbināt motoru, pavelciet startera auklu lēnām, līdz ir jūtama pretestība, un pēc tam paraujiet strauji, lai izvairītos no atsitienu.

7. **Elektriskais starteris, ja ir aprīkojumā:** Pagrieziet slēdzi ar atslēgu (D, attēls 6) uz ON/START (ieslēgts/iedarbināšana) pozīciju.

IEVĒRĪBAI IEVĒRĪBAI: Lai pagarinātu startera darbmūžu, veiciet īsus palaišanas ciklus (maksimāli piecas sekundes). Starp palaišanas cikliem nogaidiet vienu minūti.

Piezīme: Ja dzinējs pēc vairākiem mēģinājumiem neiedarbojas, sazinieties ar vietējo izplatītāju vai pārejiet uz **BRIGGSandSTRATTON.com** vai zvaniet uz **1-800-233-3723** (ASV).

Gaisa vārsta sistēma

1. Pārbaudiet dzinēja eļļu. Skatiet nodaļu **Pārbaudiet eļļas līmeni**.
2. Pārliecinieties, ka iekārtas piedziņas vadības elementi, ja ir aprīkojumā, ir atvienoti.
3. Pagrieziet degvielas noslēgvārstu (A, attēls 6), ja tāds ir uzstādīts, pozīcijā OPEN (atvērts).
4. Virziet droseles vadību (B, Attēls 6), ja ir aprīkojumā, uz FAST (ĀTRS) stāvokli. Darbiniet motoru FAST (ātrajā) pozīcijā.
5. Pagrieziet droseles vadību (C, attēls 6) uz stāvokli CLOSED (AIZVĒRTS). Modeļos ar apvienotu gaisa vārsta/droseles vadību (B C) pagrieziet vadību stāvoklī CHOKE (gaisa vārsts).

Piezīme: Gaisa vārsts parasti nav jāizmanto, ja atkārtoti iedarbināt siltu motoru.

6. **Iegriežamais starteris (Rewind Starter), ja tas ir aprīkojumā:** Pagrieziet slēdzi ar atslēgu (D, attēls 6) uz ON/START (ieslēgts/iedarbināšana) pozīciju.
7. **Iegriežamais starteris (Rewind Starter), ja tas ir aprīkojumā:** Stingri satveriet startera virves rokturi (E, Attēls 6). Lēnām velciet startera auklas rokturi, līdz sajūtat pretestību, tad raujiet strauji.



BRĪDINĀJUMS

Strauja startera auklas ieraušana atpakaļ (atsitiens) var paraut plaukstu un roku uz motora pusi ātrāk nekā jūs varēsiet palaist to vaļā. Tas var izraisīt kaulu lūzumus, plīsumus, skrāpējumus vai zilumus. Kad iedarbināt motoru, pavelciet startera auklu lēnām, līdz ir jūtama pretestība, un pēc tam paraujiet strauji, lai izvairītos no atsitienu.

8. **Elektriskais starteris, ja ir aprīkojumā:** Pagrieziet slēdzi ar atslēgu (D, attēls 6) uz ON/START (ieslēgts/iedarbināšana) pozīciju.

IEVĒRĪBAI IEVĒRĪBAI: Lai pagarinātu startera darbmūžu, veiciet īsus palaišanas ciklus (maksimāli piecas sekundes). Starp palaišanas cikliem nogaidiet vienu minūti.

9. Kad dzinējs iesilis, virziet droseles vadību (C, attēls 6) uz pozīciju OPEN (ATVĒRTS). Modeļos ar apvienotu gaisa vārsta/droseles vadību (B C) pagrieziet vadību stāvoklī FAST (ātri).

Piezīme: Ja dzinējs pēc vairākiem mēģinājumiem neiedarbojas, sazinieties ar vietējo izplatītāju vai pārejiet uz **BRIGGSandSTRATTON.com** vai zvaniet uz **1-800-233-3723** (ASV).

Apturiet dzinēju



BRĪDINĀJUMS



Degviela un tās garaiņi ir ārkārtīgi viegli uzliesmojoši un sprādzienbīstami.

Uguns vai sprādziens var izraisīt smagus apdegumus vai nāvi.

- Nekad neslāpējiet motoru ar gaisa vārsta palīdzību.
1. **Ar atslēgu darbināms slēdzis, ja ir aprīkojumā:** Droseles vadībai atrodoties stāvoklī FAST (ātri), pagrieziet slēdzi ar atslēgu (D, attēls 6) stāvoklī OFF (izslēgts). Izņemiet atslēgu un glabājiet to drošā, bērniem nepieejamā vietā. **Iedarbināšanas/apturēšanas poga, ja ir aprīkojumā:** Kamēr droseles vadība ir stāvoklī FAST (ātri), nospiediet iedarbināšanas/apturēšanas pogu START/STOP (F, attēls 6).
 2. Kad dzinējs apstājies, pagrieziet degvielas slēgvārstu (A, attēls 6), ja ir aprīkojumā, uz stāvokli CLOSED (slēgts).

Apkope

IEVĒRĪBAI Ja motors glabāšanas apstākļos tiek sagāzts, degvielas tvertnei (ja tā montēta uz motora) jābūt tukšai, un aizdedzes sveces pusei jābūt vērstai uz augšu. Ja degvielas tvertne nav tukša un ja motors tiek sagāzts jebkurā citā virzienā, var rasties sarežģījumi iedarbināt motoru, jo eļļa vai benzīns ir piesārņojuši gaisa filtru un/vai aizdedzes sveci.



BRĪDINĀJUMS

Veicot apkalpošanas darbus, kuru laikā iekārtai ir jāatrodas noliktā stāvoklī, degvielas tvertnei jābūt tukšai, citādi var notikt degvielas noplūde, kas var izraisīt uzliesmojumu vai sprādzienu.

Mēs iesakām jums vērsties pie jebkura Briggs & Stratton autorizēta pārstāvja dzinēja un dzinēja daļu visas apkopes un servisa veikšanai.

IEVĒRĪBAI Lai darbība būtu pareiza, visām dzinēja izgatavošanā izmantotajām sastāvdaļām jāpaliek savās vietās.



BRĪDINĀJUMS



Nepauša dzirksteļošana var izraisīt uguni vai elektriskās strāvas triecienu.

Nepauša iedarbināšana var izraisīt iesprūšanu, locekļu zaudēšanu vai plēstas brūces.

Uzliesmošanas risks

Pirms regulēšanas vai remonta

- Atvienojiet sveces vadu un atlociet to nost no aizdedzes sveces.
- Atvienojiet akumulatoru baterijas negatīvo spaili (tikai dzinējiem ar elektrisko iedarbināšanu).
- Izmantojiet tikai pareizos instrumentus.
- Neaiztieciot regulatora atsperi, savienojumus vai citas daļas, lai palielinātu dzinēja ātrumu.
- Rezerves daļām jābūt vienādas konstrukcijas un uzstādītām tajā pašā vietā, kur oriģinālās daļas. Citas daļas var nekalpot tik labi, var bojāt mašīnu un var izraisīt traumas.
- Nesitiet pa spararatu ar āmuru vai cietu priekšmetu, jo spararats vēlāk darbības laikā var saplīst.

Pārbaudot dzirksteli

- Ietīti tikai sertificētos testerus.
- Nekad neveiciet tādas pārbaudes ar noņemtu aizdedzes sveci.

Emisiju kontroles apkalpošana

Emisiju kontroles iekārtu un sistēmu apkalpošanu, aizvietošanu vai remontu var veikt jebkurš apvidus transportlīdzekļu dzinēju remonta darbnīca vai speciālists. Tomēr, lai iegūtu bezmaksas emisiju kontroles apkalpošanu, šie darbi ir jāveic pie ražotāja pilnvarotā izplatītāja. Skatīt Emisiju kontroles deklarācijas.

Tehniskās apkopes grafiki

Pirmās 5 stundas
<ul style="list-style-type: none">• Eļļas nomaiņa ³

Ik pēc 8 stundām vai katru dienu
<ul style="list-style-type: none"> Pārbaudiet motoreļļas līmeni Notīriet vietu ap klusinātāju un vadības elementiem Gaisa ieplūdes atveres režģis
Ik pēc 25 stundām vai katru gadu
<ul style="list-style-type: none"> Iztīriet gaisa filtru ¹ Iztīriet rupjo filtru (ja ir aprīkojumā) ¹
Ik pēc 50 stundām vai katru gadu
<ul style="list-style-type: none"> Motoreļļas nomaiņa ⁴ Nomainiet eļļas filtru (ja uzstādīts) ⁴ Veiciet izplūdes sistēmas apkopi
Ik pēc 100 stundām vai katru gadu
<ul style="list-style-type: none"> Motoreļļas nomaiņa ⁵ Nomainiet eļļas filtru (ja uzstādīts) ⁵
Katru gadu
<ul style="list-style-type: none"> Nomainiet aizdedzes sveci Nomainiet gaisa filtru Nomainiet rupjo filtru (ja uzstādīts) Nomainiet degvielas filtru (ja uzstādīts) Veiciet degvielas sistēmas apkopi Veiciet apkopi dzesēšanas sistēmai ¹ Pārbaudiet vārsta atstarpī ²

¹ Biežāk ir jātīra putekļainos apstākļos vai gaisā esošu gružu gadījumā.

² Nav jāveic, ja vien nav konstatētas problēmas dzinēja darbībā.

³ Tikai dzinējiem bez eļļas filtra.

⁴ Dzinējs bez eļļas filtra vai ar standarta melno eļļas filtru (skat. **Specifikācijas** lapu, kurā norādīts detaļas numurs).

⁵ Dzinēji ar augsta snieguma dzelteno vai oranžo eļļas filtru (skat. **Specifikācijas** lapu, kurā norādīts detaļas numurs).

Elektroniskā degvielas pārvaldīšanas sistēma

Elektroniskā degvielas pārvaldīšanas sistēma pārrauga dzinēja temperatūru, dzinēja ātrumu un akumulatora spriegumu, lai noregulētu droseili dzinēja iedarbināšanai un uzsildīšanai. Sistēmai nevar veikt noregulēšanu. Ja noris iedarbināšanas vai lietošanas problēmas, sazinieties ar pilnvarotu Briggs & Stratton pārstāvi.

IEVĒRĪBAI Ievērojiet norādes zemāk - pretējā gadījumā Elektronisko degvielas pārvaldīšanas sistēmu var sabojāt.

- Nekādā gadījumā neiedarbiniet dzinēju, ja akumulatora kabeli ir vaļīgi.
- Pirms akumulatora atvienošanas, demontēšanas un/vai montēšanas, pagrieziet atslēgu izslēgtā pozīcijā.
- Nekādā gadījumā nelietojiet akumulatora lādētāju, lai iedarbinātu dzinēju.
- Nekādā gadījumā neatvienojiet akumulatora kabelus, kamēr dzinējs darbojas.
- Pievienojot akumulatora kabelus, vispirms akumulatoram pievienojiet pozitīvo (+) kabeli un tad pievienojiet negatīvo (-) kabeli.
- Uzlādējot akumulatoru, pagrieziet aizdedzes slēdzi izslēgtā pozīcijā un atvienojiet negatīvo (-) akumulatora kabeli no akumulatora.
- Neizsmidziniet ūdeni tieši uz elektroniskās vadības moduļa.

Karburators un dzinēja apgrīzieni

Nekad neveiciet izmaiņas karburatora vai dzinēja apgrīzienu iestatījumos. Karburators ir noregulēts rūpnīcā efektīvai darbībai lielākajā daļā apstākļu. Neaiztieciat regulatora atsperi, savienojumus vai citas daļas, lai mainītu dzinēja ātrumu. Ja ir nepieciešams veikt kādus regulējumus, griežieties Briggs & Stratton Pilnvarotā dīlera servisa centrā.

IEVĒRĪBAI Aprīkojuma ražotājs ir definējis maksimālo ātrumu motoram, kas montēts aprīkojumam. **Nepārsniedziet** šo ātrumu. Ja neesat drošs par to, kāds ir aprīkojuma maksimālais ātrums, vai kāds ātrums motoram ir iestatīts rūpnīcā, griežieties Briggs & Stratton Pilnvarotā dīlera servisa centrā. Lai pareizi un droši lietotu aprīkojuma, motora ātrumu vajadzētu noregulēt tikai kvalificētam servisa tehnikam.

Veiciet aizdedzes sveces apkopi.

Skaīt attēlu 7

Pārbaudiet atstarpī (A, Attēls 7) ar stieples kalibru (B) Ja ir nepieciešams, iestatiet atstarpī leviototiet un pievelciet aizdedzes sveci ar ieteikto griezes momentu Par atstarpes vai griezes momenta iestatīšanu, skaīt nodaļu **Specifikācijas**.

Piezīme: *Dažos reģionos vietējie likumi prasa izmantot rezistora aizdedzes sveci, lai apslāpētu aizdedzes signālus Ja šis dzinējs sākotnēji bija aprīkots ar aizdedzes sveci ar rezistoru, nomainīiet tāda paša tipa aizdedzes sveci.

Veiciet izplūdes sistēmas apkopi



BRĪDINĀJUMS

Darbojoties motors uzkarst. Dažas motora daļas, piemēram, slāpētājs, var ļoti sakarst.

Saskares gadījumā var rasties smagi apdegumi.

Ugunsnedroši priekšmeti, piemēram, lapas, zāle, krūmājs utt. var aizdegties.

- Ja jums nepieciešams pieskarties slāpētājam, motora cilindram vai radiatora ribām, ļaujiet tām no sākuma atdzist.
- Sekoiet tam, lai apkārt slāpētājam un cilindram nesavāktos gruži.
- Kalifornijas Publisko resursu likuma, sadaļa 4442 nosaka, ka ir aizliegts izmantot motoru meža, krūmu vai zāles klātās teritorijās, ja izplūdes sistēma nav aprīkota ar dzirksteļu uztvērēju, kā norādīts sadaļā 4442, un tas netiek pienācīgi apkopts. Citās valstīs vai federālās jurisdikcijas subjektos spēkā var būt līdzīgiem normatīvajiem aktiem. Sazinieties ar ražotāju, vairumtirgotāju vai izplatītāju, lai iegūtu dzirksteļu uztvērēju, kas paredzēts izplūdes sistēmai, kas uzstādīta šim motoram.

Sekoiet tam, lai apkārt slāpētājam un cilindram nesavāktos gruži. Apskatiet, vai klusinātājam nav plaisas, korozija vai citi bojājumi. Noņemiet dzirksteļu slāpētāju, ja tas aprīkots, apskatiet, vai nav bojājumi vai oglekļa radīti aizbīvējumi. Ja atrasts bojājums, pirms darba uzsākšanas iemontējiet nomaināmās daļas.



BRĪDINĀJUMS

Rezerves daļām jābūt vienādas konstrukcijas un uzstādītām tajā pašā vietā, kur oriģinālās daļas. Citas daļas var nekalpot tik labi, var bojāt mašīnu un var izraisīt traumas.

Nomainiet motoreļļu

Skaīt attēlu: 8, 9, 10, 11

Izlietotā eļļa ir bīstams atkritumprodukts, un tā pareizi jāutilizē. Neizmetiet ar saimniecības atkritumiem. Sazinieties ar vietējām iestādēm, servisa centru vai pārstāvi, lai uzzinātu, kur atrodas utilizācijas/pārstrādes punkti.

Izlejiet eļļu

- Ar izslēgtu, bet vēl arvien siltu motoru atvienojiet sveces vadu (D, attēls 8) un turiet to atstātus no aizdedzes sveces (E).
- Izņemiet mērstieni (A, attēls 9).

Eļļas iepildes aizbāznis, ja ietilpst aprīkojumā

- Izņemiet eļļas izlaišanas aizbāzni (F, Attēls 10). Iztecīniet eļļu atbilstošā tvertnē.

Piezīme: Jebkurš no parādītajiem eļļas izlaišanas aizbāžņiem (G, attēls 10) var tikt ievietots dzinējā.

- Kad eļļa izlaista, ievietojiet un pievelciet eļļas izlaišanas aizbāzni (F, attēls 10).

Ātrā eļļas izlaišanas atvere (ja uzstādīta)

- Atvienojiet ātrās eļļas izlaišanas šļūteni (H, attēls 11) no dzinēja sāna.
- Pagrieziet un noņemiet eļļas iepildes aizbāzni (I, attēls 11). Uzmaņīgi nolaidiet ātro eļļas izlaišanas šļūteni (H) piemērotā tvertnē (J).
- Kad eļļa izlaista, montējiet eļļas izlaišanas aizbāzni (I, attēls 11). Pievienojiet ātrās eļļas izlaišanas šļūteni (H) pie dzinēja sāna.

Nomainiet eļļas filtru (ja uzstādīts)

Daži modeļi ir aprīkoti ar eļļas filtru. Skatiet maiņas intervālus sadaļā **Apkopes tabula**.

1. Iztecīniet eļļu no motora. Skatīt **Eļļas izlaišanas** nodaļu.
2. Izņemiet eļļas filtru (K, attēls 9) un pareizi nododiet atkritumos.
3. Pirms uzstādīt jauno eļļas filtru, viegli ieeļļojiet eļļas filtra bļīvi ar svaigu, tīru eļļu.
4. Uzstādiet eļļas filtru ar roku, līdz bļīve saskaras ar eļļas filtra adapteri, pēc tam pievelciet eļļas filtru par 1/2 līdz 3/4 apgriezieni.
5. Uzpildiet eļļu. Skatīt **Eļļas pieliešanas** nodaļu.
6. Iedarbiniet un darbiniet motoru. Kamēr motors uzsilst, pārbaudiet, vai nav eļļas noplūžu.
7. Apturiet motoru un pārbaudiet eļļas līmeni. Pareizais eļļas līmenis ir pilnās tvertnes indikatora augšpusē (B, attēls 9) uz mērstieņa.

Pielejiet eļļu

- Pārliedziniet, ka dzinējs ir horizontāli.
- Notīriet eļļas uzpildes zonu no gružiem.
- Skatiet eļļas uzpildes daudzumu sadaļā **Specifikācijas**.

1. Izņemiet mērstieni (A, attēls 9) un noslaukiet ar tīru drānu.
2. Lēnām ielejiet eļļu motora eļļas iepildīšanas atverē (C, attēls 9). **Uzmanieties, lai nepārpildītu tvertni.** Pēc eļļas uzpildes pagaidiet vienu minūti un pēc tam pārbaudiet eļļas līmeni.

Piezīme: Nepielejiet eļļu pie ātrās eļļas izlaišanas atveres (H, attēls 11) (ja tāda ir).

3. Uzstādiet un pievelciet mērstieni (A, attēls 9).
4. Izņemiet mērstieni un pārbaudiet eļļas līmeni. Pareizais eļļas līmenis ir pilnās tvertnes indikatora augšpusē (B, attēls 9) uz mērstieņa.
5. Atkal montējiet un pievelciet mērstieni (A, attēls 9).
6. Pievienojiet aizdedzes sveces vadu (D, attēls 8) pie aizdedzes sveces (E).

Apkopiet gaisa filtru

Skatīt attēlu: 12, 13



BRĪDINĀJUMS

Degviela un tā garaiņi ir ārkārtīgi viegli uzliesmojoši un sprādzienbīstami.

Uguns vai sprādziens var izraisīt smagus apdegumus vai nāvi.

- Nekādā gadījumā neiedarbiniet un nedarbiniet motoru ar noņemtu gaisa filtra mezglu (ja uzstādīts) vai gaisa filtru (ja uzstādīts).

IEVĒRĪBAI Neizmantojiet saspiestu gaisu vai šķīdinātājus, lai iztīrītu filtru. Saspiests gaiss var bojāt filtru, šķīdinātāji izšķīdinās filtru.

Skatīt **Apkopes diagrammu**, kur norādītas apkopes prasības.

Atšķirīgos modeļos var tikt lietotas putas vai papīra filtri. Daži modeļi ir arī aprīkoti ar rupjo filtru, kuru var mazgāt un izmantot vairākas reizes. Salīdziniet ilustrācijas šajā rokasgrāmatā ar tipu, kas montēts jūsu motoram, un veiciet atbilstošu apkopi.

Papīra gaisa filtrs

1. Pavelciet uz augšu pārsega rokturi (A, attēls 12). Grieziet pārsega roklur dzinēja virzienā un tad noņemiet pārsegu (B).
2. Noņemiet rupjo filtru (C, attēls 12), ja ietilpst aprīkojumā, un filtru (D).
3. Lai atdalītu gružus, uzmanīgi pasītiat filtru (D, attēls 12) pret cietu virsmu. Ja filtrs ir pārāk netīrs, nomainiet ar jaunu filtru.
4. Nomazgājiet rupjo filtru (C, attēls 12) šķidrā mazgāšanas līdzeklī un ūdenī. Ļaujiet rupjajam filtram (C) kārtīgi izžūt. **Neielejot rupjo filtru.**
5. Uzstādiet sauso rupjo filtru (C, attēls 12) un filtru (D) uz dzinēja pamatnes (E).
6. Saskaņojiet izciļņus (F, attēls 12) uz pārsega (B) ar atverēm (G) pūtēja korpusā.
7. Pagrieziet pārsega rokturi (A, attēls 12) atpakaļ un stumiet to uz leju, lai to fiksētu.

Papīra gaisa filtrs

1. Palaidiet vaļīgāk stiprinājumu(s) (A, attēls 13).
2. Noņemiet pārvalku (B, attēls 13).
3. Lai noņemtu filtru (C, attēls 13), paceliet filtra galu un tad novelciet filtru no iepildes (D).

4. Lai atdalītu gružus, uzmanīgi pasītiat filtru (C, attēls 13) pret cietu virsmu. Ja filtrs ir pārāk netīrs, nomainiet ar jaunu filtru.
5. Noņemiet rupjo filtru (E, attēls 13), ja ietilpst aprīkojumā, no filtra (C).
6. Nomazgājiet rupjo filtru (E, attēls 13), ja ietilpst aprīkojumā, šķidrā mazgāšanas līdzeklī un ūdenī. Ļaujiet rupjajam filtram kārtīgi izžūt. **Neielejot rupjo filtru.**
7. Uzstādiet sauso rupjo filtru (E, attēls 13), ja ir aprīkots, pie filtra (C).
8. Uzstādiet filtru (C, attēls 13) uz iepildes (D). Pastumiet filtra galu uz leju līdz dzinēja pamatnei. Pārliedziniet, ka filtrs stingri iekļāvies dzinēja pamatnē.
9. Montējiet gaisa filtra pārvalku (B, 13. attēls) un nostipriniet ar stiprinātāju(-iem) (A).

Apkope degvielas sistēmai

Skatīt attēlu: 14, 15



BRĪDINĀJUMS

Degviela un tā garaiņi ir ārkārtīgi viegli uzliesmojoši un sprādzienbīstami.

Uguns vai sprādziens var izraisīt smagus apdegumus vai nāvi.

- Degvielas tuvumā nedrīkst būt dzirksteles, atklātas liesmas, signāllampīņas, siltuma avoti vai citi uzliesmošanas avoti.
- Bieži pārbaudiet visus degvielas kanālus, tvertni, vāciņu un stiprinājumus, vai tajos nav plaisu un sūču. Nomainiet, ja nepieciešams.
- WPirms degvielas filtra tīrīšanas vai nomaīņas, iztukšojiet degvielas tvertni vai aizveriet degvielas slēgvārstu.
- Ja degviela izlīst, pagaidiet, kamēr tā iztvaiko, un tikai tad iedarbiniet motoru.
- WRezerves daļām ir jābūt tādām pašām un tās jāuzstāda tādā pašā stāvoklī kā oriģinālās daļas.

Degvielas filtrs, ja ir aprīkojumā

1. Pirms degvielas filtra tīrīšanas vai nomaīņas (A, attēls 14), iztukšojiet degvielas tvertni vai aizveriet degvielas slēgvārstu. Citādi degviela var izplūst ārā un izraisīt uzliesmojumu vai sprādzienu.
2. Ar plakanknaiblēm saspiediet cilpiņas (B, attēls 14) uz savilcējiem (C), tad nobīdiat savilcējus no degvielas filtra (A). Groziet un velciet nost degvielas pievadus (D) no degvielas filtra.
3. Pārbaudiet, vai degvielas vadiem (D, attēls 14) nav noplūžu vai plaisu. Nomainiet, ja nepieciešams.
4. Nomainiet degvielas filtru (A, attēls 14) ar oriģinālo iekārtas nomaīņas filtru.
5. Nostipriniet degvielas vadus (D, attēls 14) ar savilcējiem (C) kā parādīts attēlā.

Degvielas filtrs, ja ir aprīkojumā

1. Noņemiet degvielas tvertnes vāciņu (A, Attēls 15).
2. Noņemiet degvielas filtru (B, Attēls 15).
3. Ja degvielas filtrs ir netīrs, iztīriet vai nomainiet to. Ja jūs nomainiet gružu sietiņu, pārliedziniet, ka izmantojiet oriģinālu iekārtas nomaīņas gružu sietiņu.

Apkope dzesēšanas sistēmai



BRĪDINĀJUMS

Darbojoties motoram uzkarst. Dažas motora daļas, piemēram, slāpētājs, var ļoti sakarst.

Saskares gadījumā var rasties smagi apdegumi.

Ugunsnedroši priekšmeti, piemēram, lapas, zāle, krūmājs utt. var aizdegties.

- Ja jums nepieciešams pieskarties slāpētājam, motora cilindram vai radiatora ribām, ļaujiet tām no sākuma atdzist.
- Sekojiet tam, lai apkārt slāpētājam un cilindram nesavāktos gruži.

IEVĒRĪBAI Neizmantojiet ūdeni lai tīrītu dzinēju. Ūdens var piesārņot degvielas sistēmu. Lai tīrītu dzinēju, lietojiet suku vai sausu drānu.

Šis ir dzinējs ar gaisa dzesēšanu. Netīrums vai gruži var ierobežot gaisa plūsmu un var izraisīt dzinēja pārkaršanu, kas noved pie sliktas veiktspējas un samazināta dzinēja darbūmā.

1. Lietojiet slotu vai sausu lupatu gružu noņemšanai no gaisa ieņēmēja zonas.
2. Savienojumu, atsperi un vadības ierīces uzturiet tīras.

- Uzturiet vietu ap un aiz kulinātāja tīru no jebkādiem uzliesmojošiem gružiem.
- Sekoiet tam, lai uz eļļas dzesēšanas ribām nesakrātos neīrums un gruži.

Pēc kāda laika, gruži var uzkrāties uz cilindra dzesēšanas ribām un izraisīt dzinēja pārkaršanu. Šos gružus nevar notīrīt bez daļējas dzinēja izjaukšanas. Uzticiet Briggs & Stratton autorizētam pārstāvim veikt apskati un gaisa dzesēšanas sistēmas tīrīšanu kā ieteikts Apkopes diagrammā.

Uzglabāšana



BRĪDINĀJUMS

Degviela un tās tvaiki ir viegli uzliesmojošas un sprādzienbīstamas vielas.

Uguns vai sprādziens var izraisīt smagus apdegumus vai nāvi.

Uzglabājot degvielu vai iekārtu ar degvielu tās tvertnē

- Uzglabājiet drošā attālumā no kurtuvēm, krāsnīm, boileriem un citām līdzīgām ierīcēm, kurām ir signāllampīņas, vai citiem uzliesmošanas avotiem, jo tie var aizdedzināt degvielas tvaikus.

Degvielas sistēma

Skatīt attēlu: 16

Glabājiet dzinēju līmeniski (parastā darba stāvoklī). Uzpildiet degvielas tvertni (A, Attēls 16) ar degvielu. Nepiepildiet augstāk par degvielas tvertnes kakliņu (B), lai ļautu degvielai izplesties.

Ja degviela tiek uzglabāta ilgāk par 30 dienām, tā var sastāvēties. Sastāvējusies degviela atstās skābes un sveķu nogulsnes degvielas sistēmā vai uz svarīgām karburatora daļām. Lai degviela nesastāvētos, izmantojiet **Briggs & Stratton Pilnveidoto degvielas uzlabošanas līdzekli un stabilizatoru**, kuru var iegādāties visur, kur tiek tirgotas Briggs & Stratton oriģinālās rezerves daļas.

Ja degvielai atbilstoši instrukcijām tiek pievienots stabilizators, degvielu nevajag iztecināt no dzinēja. Lai izplafītu stabilizatoru pa visu sistēmu, pirms glabāšanas darbiniet dzinēju divas (2) minūtes.

Ja degvielai dzinējā netiek pievienots stabilizators, degviela ir jāizteicina piemērotā tvertnē. Darbiniet dzinēju, līdz tas apstāsies no degvielas trūkuma. Mēs iesakām izmantot degvielas stabilizatoru arī tad, kad degviela tiek uzglabāta glabāšanas tvertnē, lai uzturētu to svaigu.

Dzinēja eļļa

Kamēr dzinējs ir silts, nomainiet dzinēja eļļu. Skatiet nodaļu **Nomainiet motoreļļu**.

Bojājumu novēršana

Lai saņemtu palīdzību, sazinieties ar vietējo izplatītāju vai pāreijiet uz **BRIGGSandSTRATTON.com** vai zvaniet uz **1-800-233-3723** (ASV).

Specifikācijas

Modelis: 210000	
Darba tilpums	21.01 ci (344 cc)
Cilindra diametrs	3.437 collas (87,30 mm)
Virzuļa gājiens	2.264 collas (57,51 mm)
Eļļas kapacitāte - bez filtra	42 - 44 unces (1,24 - 1,30 L)
Eļļas kapacitāte - ar filtru	46 - 48 unces (1,36 - 1,40 L)
Aizdedzes sveces sprauga	0.030 collas (0,76 mm)
Aizdedzes sveces pievilkšanas moments	180 lb-in (20 Nm)
Indukcijas spoles (armature) gaisa sprauga	0.010 - 0.014 collas (0,25 - 0,36 mm)
Ieplūdes vārsta atstarpe	0.003 - 0.005 collas (0,08 - 0,13 mm)
Izplūdes vārsta atstarpe	0.005 - 0.007 collas (0,13 - 0,18 mm)

Modelis: 310000	
Darba tilpums	30.59 ci (501 cc)
Cilindra diametrs	3.563 collas (90,49 mm)
Virzuļa gājiens	3.062 collas (77,77 mm)
Eļļas kapacitāte - bez filtra	42 - 44 unces (1,24 - 1,30 L)

Modelis: 310000	
Eļļas kapacitāte - ar filtru	46 - 48 unces (1,36 - 1,40 L)
Aizdedzes sveces sprauga	0.030 collas (0,76 mm)
Aizdedzes sveces pievilkšanas moments	180 lb-in (20 Nm)
Indukcijas spoles (armature) gaisa sprauga	0.010 - 0.014 collas (0,25 - 0,36 mm)
Ieplūdes vārsta atstarpe	0.003 - 0.005 collas (0,08 - 0,13 mm)
Izplūdes vārsta atstarpe	0.005 - 0.007 collas (0,13 - 0,18 mm)

Dzinēja jauda samazināsies par 3,5% uz katrām 1 000 pēdām (300 metriem) virs jūras līmeņa un par 1% uz katru 10° F (5,6° C) virs 77° F (25° C). Šis dzinējs darbosies apmierinoši pie lēnā līdz 15° Meklējiet iekārtas operatora rokasgrāmatā droša darba pieļaujamās robežas uz slūpumiem.

Apkopes detaļas - modelis: 210000	
Apkopes daļa	Daļas numurs
Gaisa filtrs, papīra (skat. 13. attēlu)	796032
Gaisa rupjais filtrs, pūtu (skat. 13. attēlu)	798911
Gaisa filtrs, papīra (skat. 12. attēlu)	698413, 5079
Gaisa rupjais filtrs, pūtu (skat. 12. attēlu)	697292, 5079
Eļļa - SAE 30 (20 oz, 0,6 L)	100005
Eļļa - SAE 30 (48 oz, 1,4 L)	100028
Eļļas filtrs	492932
Degvielas apstrādes un stabilizēšanas piedeva ar uzlabotu sastāvu	100117, 100120
Degvielas filtrs - dzinējs bez degvielas sūkņa	394358, 5098
Degvielas filtrs - dzinējs ar degvielas sūkni	691035, 5065
Rezistora aizdedzes svece	491055
Aizdedzes svece ar platīna elektrodu ar pagarinātu kalpošanas laiku	5066
Aizdedzes sveces atslēga	89838, 5023
Dzirksteles testeris	19368

Apkopes detaļas - modelis: 310000	
Apkopes daļa	Daļas numurs
Gaisa filtrs, papīra (skat. 13. attēlu)	796031
Gaisa rupjais filtrs, pūtu (skat. 13. attēlu)	797704
Gaisa filtrs, papīra (skat. 12. attēlu)	698083, 5077
Gaisa rupjais filtrs, pūtu (skat. 12. attēlu)	697015, 5077
Gaisa filtrs, plakans, mazgājams	697153, 5078
Eļļa - SAE 30 (20 oz, 0,6 L)	100005
Eļļa - SAE 30 (48 oz, 1,4 L)	100028
Eļļas filtrs, standarta - melns	492932
Eļļas filtrs, augsta snieguma - dzeltens	795890
Eļļas filtrs, augsta snieguma - oranžs	798576
Degvielas apstrādes un stabilizēšanas piedeva ar uzlabotu sastāvu	100117, 100120
Degvielas filtrs - dzinējs bez degvielas sūkņa	394358, 5098
Degvielas filtrs - dzinējs ar degvielas sūkni	691035, 6065
Rezistora aizdedzes svece	491055
Aizdedzes svece ar platīna elektrodu ar pagarinātu kalpošanas laiku	5066
Aizdedzes sveces atslēga	89838, 5023
Dzirksteles testeris	19368

Mēs iesakām jums vērsties pie jebkura Briggs & Stratton autorizēta pārstāvja dzinēja un dzinēja daļu visas apkopes un servisa veikšanai.

Jaudas novērtējums: Pieļaujamā bruto jauda atsevišķiem benzīna motoru modeļiem tiek apzīmēta atbilstoši novērtējumam pēc SAE (Society of Automotive Engineers — Autoinženieru savienība) noteikumiem J1940 (Small Engine Power & Torque Rating Procedure — Mazu dzinēju jaudas un griezes momenta noteikšanas procedūra) un to jaudas novērtēšana veikta atbilstoši SAE noteikumiem J1995. Motoriem, kuru marķējumā

norādīts "rpm", griezes moments ir noteikts pie 2600 apgr./min., visiem citiem motoriem — pie 3060 apgr./min.; zirgspēku daudzums ir noteikts pie 3600 apgr./min. Bruto jaudas grafikus var apskatīt interneta vietnē www.BRIGGSandSTRATTON.COM. Efektīvās jaudas vērtības tiek iegūtas, kad ir uzstādīts gaisa filtrs, bet pilnas jaudas vērtības tiek iegūtas bez šiem piederumiem. Reālā motora bruto jauda būs augstāka par lietderīgo jaudu, jo to ietekmēs darba vides apstākļi un katra motora individuālās atšķirības. Ņemot vērā plašo produktu klāstu, uz kādiem tiek uzstādīti motori, benzīna motori var neattīstīt nominālo bruto jaudu, ja tos izmanto ar attiecīgo mašīnu. Šīs atšķirības izraisa dažādi faktori, tostarp, bet ne tikai dažādi motora komponenti (gaisa atfiltrēšanas, izplūdes, lādēšanas un dzesēšanas sistēmas, karburators, degvielas sūkņi utt.), pielietojuma ierobežojumi, vide ekspluatācijas vietā (temperatūra, mitrums, augstums virs jūras līmeņa), kā arī atsevišķo motoru individuālās īpatnības. Dažu ražošanas procesa un jaudas ierobežojumu dēļ uzņēmums Briggs & Stratton ir tiesīgs aizvietot šīs sērijas motoru ar jaudīgāku motoru.

Garantija

Briggs & Stratton dzinēja garantija

Stājas spēkā 2017. gada janvārī

Ierobežota garantija

Briggs & Stratton garantē, ka garantijas periodā, kas norādīts zemāk, uzņēmums bez maksas saremontēs vai nomainīs jebkuru daļu, kurai ir materiāla un/vai ražošanas brāķis. Transporta izmaksas par produktu, kurš šīs garantijas ietvaros iesniegts remontam vai apmaiņai, jāsedz pircējam. Šī garantija ir spēkā tālāk norādītajos laika periodos un ievērojot tālāk izklāstītos nosacījumus. Lai saņemtu garantijas servisu, atrodiat tuvāko autorizēto servisa pakalpojumu sniedzēju mūsu pārstāvju meklēšanas kartē BRIGGSandSTRATTON.com. Pircējam ir jāsaņem ar pilnvaroto apkopes pakalpojumu sniedzēju un jānogādā izstrādājums tā turpmākai pārbaudei un testēšanai pilnvarotajam apkopes pakalpojumu sniedzējam.

Citu izteiktu garantiju nav. Netiešas garantijas, ieskaitot garantijas par piemērotību pārdošanai un atbilstību noteiktam nolūkam, ir spēkā tālāk norādītajā garantijas periodā, vai arī uz tām attiecināmi tiesību aktos atrunātie ierobežojumi. Jebkura atbildība par nejausiem vai izrietošiem zaudējumiem tiek izslēgta tādā mērā, kādā šī atbildības izslēgšana ir atrunāta likumā. Dažās valstīs un zemēs neatzīst ierobežojumus attiecībā uz to, cik ilgi turpināsies netiešā garantija, bet citās valstīs vai to daļās nepieļauj nejausio vai izrietošo zaudējumu izslēgšanu vai ierobežošanu, tādēļ iepriekš minētais ierobežojums un garantijas izslēgšana var uz jums arī neattiekties. Šī garantija dod jums noteiktas juridiskas tiesības, un jums var būt arī citas tiesības, kas dažādos štatos un valstīs ir atšķirīgas.⁴

Standarta garantijas noteikumi 1, 2, 3

Marka / Izstrādājuma nosaukums	Lietošana personīgām vajadzībām	Komerčiāla lietošana
Vanguard™; Komerčiālā sērija	36 mēneši	36 mēneši
Dzinēji ar Dura-Bore™ lietām čuguna čaulām	24 mēneši	12 mēneši
Visi citi dzinēji	24 mēneši	3 mēneši

¹Šie ir mūsu standarta garantijas noteikumi, taču laiku pa laikam iespējams papildu garantijas segums, kāds netika noteikts publikācijas laikā. Lai iepazītos ar jūsu dzinējam pašreiz spēkā esošajiem garantijas noteikumiem, skatiet Internetā BRIGGSandSTRATTON.COM vai sazinieties ar jūsu autorizēto Briggs & Stratton servisa pārstāvi.

²Nav noteikta garantija dzinēja aprīkojumam, kas tiek lietots uz vietas galvenajai enerģijas padevei komunālajiem pakalpojumiem vai rezerves generatoriem, kas tiek lietoti komerciāliem mērķiem. Uz dzinējiem, kas ir izmantoti sacensībās vai komerciālos vai nomas maršrutos, garantija neattiecas.

³Vanguard, kas ir uzstādīti rezerves ģeneratoros: 24 mēneši personīgai lietošanai, komerciālai lietošanai garantija netiek sniegta. Vanguard, kas ir uzstādīti pakalpojumu transportlīdzekļos: 24 mēneši personīgai lietošanai, 24 mēneši komerciālai lietošanai. Komerčiālā sērija ar izgatavošanas datumu pirms 2017. gada jūlija, 24 mēneši personīgai lietošanai, 24 mēneši komerciālai lietošanai.

⁴Austrālijā — Mūsu precēm ir garantijas, kuras nepieļauj izslēgt Austrālijas Patērētāju likums. Jums ir tiesības nomainīt izstrādājumu vai saņemt naudas līdzekļu atmaksu, ja izstrādājuma darbībā radās būtiski traucējumi, vai arī saņemt atlīdzību, ja radās citi saprātīgi paredzami zaudējumi vai bojājumi. Turklāt jums ir tiesības iesniegt izstrādājumu remontam vai nomainīt izstrādājumu, ja tā kvalitāte nav pieņemama, taču tā darbības traucējumi nav būtiski. Lai saņemtu garantijas servisu, atrodiat tuvāko pilnvaroto servisa pārstāvi mūsu pārstāvju meklēšanas kartē BRIGGSandSTRATTON.com vai piezvaniet uz numuru 1300 274 447, vai nosūtiet e-pastu vai papīra vēstuli uz adresi salesenquires@briggsandstratton.com.au, Briggs & Stratton Australia Pty Ltd, 1 Moorebank Avenue, Moorebank, NSW, Australia, 2170.

Garantijas periods sākas dienā, kad izstrādājumu iegādājies pirmais mazumtirdzniecības patērētājs vai komercpatērētājs. "Izmantošanai patērētājiem" nozīmē, ka mazumtirdzniecības patērētājs izmanto preci savā mājāsaimniecībā. "Izmantošana komercnolūkos" nozīmē visus pārējos preces izmantošanas veidus, ietverot tirdzniecību, ienākumu nesošās nozarēs vai nomā. Tikko dzinējs ir ticis lietots komerciāli, tas turpmāk attiecībā uz šo garantiju tiek uzskatīts par komerciālas lietošanas dzinēju.

Saglabājiet savu pirkumu apliecināmo čeku. Ja jūs neiesniedzat apliecinājumu sākotnējā pirkuma datumam laikā, kad ir nepieciešams garantijas remonts, garantijas perioda noteikšanai tiks izmantots produkta izgatavošanas datums. Lai saņemtu garantijas servisu Briggs & Stratton produktiem, garantijas reģistrācija nav obligāta.

Par jūsu garantiju

Šī garantija attiecas tikai uz defektīviem materiāliem, kas saistīti ar dzinēju, un/vai apdares kvalitāti, un nevis uz nomainītu vai atļūdināšanu iekārtai, kurai dzinējs var būt pierīkots. Šī garantija nesedz kārtējo apkopi, noskaņošanu, noregulēšanu vai normālu nodilumu. Tāpat garantija nav spēkā, ja dzinējs ir ticis izmainīts vai modificēts, vai ja ir dzēsts vai noņemts dzinēja sērijas numurs. Šī garantija nesedz dzinēja bojājumus vai veikuma problēmas, kuras izraisījuši:

1. daļu, kas nav oriģinālas Briggs & Stratton daļas, izmantošana;
2. dzinēja darbināšana ar nepietiekamu eļļas līmeni, piesārņotu vai nepareizas kvalitātes eļļu;
3. piesārņotas vai sastāvējušās degvielas izmantošana, benzīna, kurā etilspirta saturs lielāks par 10%, vai alternatīvu degvielu, piemēram, sašķidrīnātas naftas vai dabasgāzes izmantošana dzinējiem, ko Briggs & Stratton nav sākotnēji paredzējusi/izgatavojuši darbināšanai ar šādu degvielu;
4. netīrumi, kas iekļuvuši dzinējā gaisa atfiltrētajā nepareizas apkopes vai salikšanas rezultātā;
5. rotācijas zāles plāvēja nažu triecieni pret priekšmetiem, vaļīgi vai nepareizi uzstādīti nažu adapteri, lāpstīnriteņi vai citas kloķvārpstai pievienotas ierīces vai pārmērīga ķīļsiksna nosprīgošana;
6. saistīto daļu vai mezglu, piemēram, sajūgu, transmisijas, iekārtu vadības ierīču utt., ko nav piegādājis Briggs & Stratton, lietošana;
7. pārkāršana, kas notikusi dzesēšanas ribu vai spararata zonas piesārņošanas vai aizsērēšanas ar noļautās zāles daļām, netīrumiem un gruziem vai grauzēju ligzdu dēļ, vai dzinēja darbināšana bez pietiekamas ventilācijas;
8. pārmērīga vibrācija, kuras cēlonis ir pārmērīgi dzinēja apgriezieni, vaļīgi dzinēja stiprinājumi, vaļīgi vai neizlīdzsvaroti naži vai lāpstīnriteņi vai aprīkojuma nepareiza pievienošana kloķvārpstai;
9. dzinēja nepareiza ekspluatēšana, ikdienas apkopes neveikšana, nepareizi veikta pārsūtišana, pārkraušana un uzglabāšana, vai dzinēja nepareiza uzstādīšana.

Garantijas apkope ir pieejama, sazinoties ar Briggs & Stratton pilnvarotajiem apkopes pakalpojumu sniedzējiem. Atrodiat tuvāko pilnvaroto apkopes pakalpojumu sniedzēju mūsu izplatītāju atrašanas kartē BRIGGSandSTRATTON.COM vai zvaniet uz 1-800-233-3723 (ASV).

80004537 (Pārsk. C)

Niniejsza instrukcja zawiera informacje dotyczące bezpieczeństwa, mające na celu uświadomienie użytkownikowi zagrożeń i niebezpieczeństw związanych z silnikiem oraz sposobu ich uniknięcia. Zawiera również instrukcje właściwego użytkowania i troski o silnik. Ponieważ firma Briggs & Stratton niekoniecznie wie, jakie urządzenie będzie napędzane niniejszym silnikiem, ważne jest przeczytanie i zrozumienie niniejszej instrukcji oraz instrukcji wyposażenia napędzanego niniejszym silnikiem. **Należy zachować oryginalną instrukcję do wykorzystania w przyszłości.**

Uwaga: Rysunki i ilustracje zostały zamieszczone w niniejszej instrukcji wyłącznie w celach informacyjnych i mogą być inne od rzeczywistego wyglądu urządzenia posiadanego przez użytkownika. Pytania należy kierować do sprzedawcy.

Aby zamówić części zamienne lub uzyskać pomoc techniczną w przyszłości, poniżej należy zapisać model, typ oraz kod silnika wraz z datą zakupu. Numery te znajdują się na silniku (zob. część **Budowa i elementy obsługowe**).

Data zakupu	
Model – Typ – Kod	
Numer seryjny silnika	

Na niektórych silnikach może być umieszczony kod kreskowy 2D. Po zeskanowaniu za pomocą urządzenia z funkcją odczytu kodów 2D na urządzeniu wyświetlona zostanie witryna wsparcia dla danego produktu. Pobrana zostanie opłata za transfer danych. W niektórych krajach pomoc techniczna online może nie być dostępna.



Informacje o utylizacji

		Całe opakowanie, zużyty olej i baterie należy utylizować zgodnie z obowiązującymi krajowymi przepisami.
--	--	---

Bezpieczeństwo operatora

Symbole alarmów bezpieczeństwa i hasła ostrzegawcze

Symbol ostrzegawczy wskazuje informacje dotyczące zagrożeń, które mogą prowadzić do uszkodzenia ciała. Słowo ostrzegawcze (NIEBEZPIECZEŃSTWO, OSTRZEŻENIE lub PRZESTROGA) stosowane jest razem z symbolem ostrzegawczym w celu wskazania prawdopodobnej i potencjalnej możliwości uszkodzenia ciała. Dodatkowo symbol zagrożenia może być stosowany do wskazania rodzaju zagrożenia.

NIEBEZPIECZEŃSTWO sygnalizuje zagrożenie, które, w razie jego nieuniknięcia, spowoduje śmierć lub poważne obrażenia.

OSTRZEŻENIE sygnalizuje zagrożenie, które, w razie jego nieuniknięcia, może spowodować śmierć lub poważne obrażenia.

PRZESTROGA sygnalizuje zagrożenie, które, w razie jego nieuniknięcia, może spowodować niewielkie lub umiarkowane obrażenia.

NOTYFIKACJA sygnalizuje działanie, które może spowodować uszkodzenie produktu.

Symbole zagrożenia i ich znaczenia

Symbol	Znaczenie	Symbol	Znaczenie
	Informacje bezpieczeństwa dotyczące zagrożeń, które mogą spowodować obrażenia.		Przed serwisowaniem urządzenia należy zapoznać się z Instrukcją obsługi.
	Zagrożenie pożarowe		Zagrożenie wybuchem
	Zagrożenie porażeniem prądem.		Zagrożenie oparami toksycznymi
	Zagrożenie związane z gorącą powierzchnią		Zagrożenie hałasem – w przypadku długotrwałego użytkowania stosować ochronnik słuchu.
	Zagrożenie wyrzucaniem obiektów – stosować ochronę oczu.		Zagrożenie wybuchem
	Zagrożenie odmrożeniem		Zagrożenie odrzutem
	Zagrożenie odcięciem przez elementy ruchome		Zagrożenie chemiczne
	Zagrożenie termiczne		Żrący

Komunikaty dot. bezpieczeństwa



OSTRZEŻENIE

Niektóre elementy tego produktu i jego akcesoria, zawierają substancje chemiczne, o których wiadomo w stanie Kalifornia, że powodują raka, wady wrodzone i upośledzenie płodności. Po ich dotknięciu należy umyć ręce.



OSTRZEŻENIE

Spaliny silnika pochodzące z tego urządzenia zawierają substancje chemiczne, o których wiadomo w stanie Kalifornia, że powodują raka, wady wrodzone i upośledzenie płodności.



OSTRZEŻENIE

Silniki Briggs & Stratton nie są przeznaczone i nie powinny być wykorzystywane do napędzania: pojazdów rozrywkowych, gokartów, dziecięcych, rekreacyjnych lub sportowych pojazdów terenowych, motocykli, poduszkowców, urządzeń lotniczych oraz pojazdów używanych podczas imprez wyczynowych niezaaprobowanych przez firmę Briggs & Stratton. Informacje na temat produktów przeznaczonych do pojazdów wyścigowych podano na stronie www.briggsracing.com. W celu uzyskania informacji dotyczących użycia produktów w pojazdach użytkowych i terenowych prosimy skontaktować się z Briggs & Stratton Engine Application Center pod numerem 1-866-927-3349. Niewłaściwe zastosowanie silnika może spowodować poważne obrażenia lub śmierć.



OSTRZEŻENIE



Paliwo i jego opary są łatwopalne i wybuchowe.

Pożar lub wybuch mogą spowodować groźne oparzenia lub śmierć.

Podczas uzupełniania paliwa

- Wyłączyć silnik i pozostawić do ostygnięcia na co najmniej 2 minuty i dopiero wtedy zdjąć korek wlewu paliwa.
- Napełniać zbiornik paliwa na zewnątrz budynku lub w dobrze wietrzonym miejscu.
- Nie dopuszczać do przelania zbiornika paliwa. Aby zapewnić rozprężanie paliwa, nie należy napełniać zbiornika paliwa powyżej dolnej części szyjki wlewu paliwa.
- Nie wolno trzymać paliwa w pobliżu źródeł iskier, nieosłoniętych płomieni, płomieni pilota, źródła ciepła lub innych źródeł zapłonu.
- Sprawdzić, czy przewody paliwa, zbiornik, korek wlewu lub złącza nie są pęknięte lub nie przeciekają. Jeśli to konieczne, należy je wymienić na nowe.
- Jeśli paliwo rozleje się, zaczekaj aż zanim włączysz silnik.

Podczas uruchamiania silnika

- Sprawdzić, czy świeca zapłonowa, tłumik, korek wlewu i filtr powietrza (jeśli jest na wyposażeniu) są na swoim miejscu i są dobrze zamocowane.
- Nie uruchamiać silnika bez świecy zapłonowej.
- W przypadku zalania silnika ustawić manetkę ssania (jeśli jest na wyposażeniu) w pozycji OTWARCIA/URUCHAMIANIA (OPEN/RUN), przesunąć dźwignię przepustnicy (jeśli jest na wyposażeniu) do pozycji SZYBKO (FAST) i spróbować uruchomić silnik.

Podczas obsługi urządzenia

- Nie przechylać silnika lub urządzenia pod kątem, który spowoduje wyciek paliwa.
- Nie zatykać gaźnika, aby zatrzymać silnik.
- Nigdy nie uruchamiać ani nie pozwalać na pracę silnika z wymontowanym filtrem powietrza (jeśli jest na wyposażeniu) lub wyjętym wkładem filtra (jeśli jest na wyposażeniu).

Podczas zmiany oleju

- Jeżeli olej spuszcza się przez wlew oleju, zbiornik paliwa musi być pusty lub może dojść do wycieku paliwa, który może spowodować pożar lub wybuch.

Przechylenie zespołu do celów konserwacji

- W przypadku konserwacji wymagającej przechylenia zespołu należy opróżnić zbiornik paliwa, gdyż w przeciwnym wypadku może dojść do wycieku paliwa prowadzącego do pożaru lub wybuchu.

Podczas transportu urządzenia

- Transportować z PUSTYM zbiornikiem paliwa lub z ZAMKNIĘTYM zaworem odcinającym dopływ paliwa.

W przypadku magazynowania paliwa lub urządzeń z paliwem w zbiorniku

- Przechowywać z dala od pieców, grzejników wody lub innych urządzeń z lampkami kontrolnymi lub innych źródeł zapłonu, ponieważ mogą one spowodować zapalenie oparów paliwa.



OSTRZEŻENIE

Rozruchowi silnika towarzyszy iskrzenie.

Iskrzenie może spowodować zapalenie znajdujących się w pobliżu łatwopalnych gazów.

Może to spowodować wybuch i pożar.

- Jeżeli na terenie nastąpi wyciek gazu ziemnego lub innego gazu płynnego, nie należy uruchamiać silnika.
- Nie stosować płynów typu "samostart" w aerozolu, ponieważ ich opary są łatwopalne.



OSTRZEŻENIE

ZAGROŻENIE TRUJĄCYM GAZEM. Gazy wylotowe z silnika zawierają tlenek węgla, trujący gaz, który w ciągu kilku minut może spowodować śmiertelne zatrucie. Jest to substancja NIEWIDOCZNA, bez zapachu i smaku. Nawet jeśli użytkownik nie wyczuwa gazów wylotowych może być narażony na działanie tlenku węgla. W przypadku odczuwania mdłości, zawrotów głowy lub osłabienia w trakcie pracy z tym urządzeniem należy je NATYCHMIAST wyłączyć i wyjść na świeże powietrze. Skontaktować się z lekarzem. Mogło dojść do zatrucia tlenkiem węgla.

- Urządzenie należy włączać WYŁĄCZNIE na świeżym powietrzu, z dala od okien, drzwi i otworów wentylacyjnych, aby zmniejszyć ryzyko gromadzenia się tlenku węgla i przedostania się go do pomieszczeń, w których przebywają ludzie.
- Zamontować urządzenie alarmujące o obecności tlenku węgla z zasilaniem baterijnym lub zasilane prądem sieciowym z baterią podtrzymującą, zgodnie z instrukcjami producenta. Alarmy dymowe nie wykrywają obecności tlenku węgla.

- NIE WOLNO uruchamiać urządzenia w domu, garażu, piwnicy, przestrzeni podpodłogowej, szopach i innych częściowo zamkniętych pomieszczeniach, nawet jeśli włączone są wiatraki lub otwarte drzwi i okna. Tlenek węgla szybko gromadzi się w takich miejscach i może się w nich utrzymywać przez kilka godzin, nawet po wyłączeniu urządzenia.
- ZAWSZE umieszczać ten produkt z wiatrem i kierując wylot spalin silnika w kierunku przeciwnym od miejsca, w którym stoją ludzie.



OSTRZEŻENIE

Gwałtowne szarpnięcie linki rozrusznika (odbicie) pociągnie rękę do silnika szybciej, niż operator nad tym zapanuje.

Może to spowodować złamania, pęknięcia kości lub zwichnięcia.

- W celu uruchomienia silnika ciągnąć powoli uchwyt rozrusznika ręcznego do wycucia oporu, a następnie pociągnąć gwałtownie, aby uniknąć odbicia.
- Przed rozruchem silnika rozłączyć urządzenia zewnętrzne/obciążenie silnika.
- Części składowe urządzenia, takie jak ostrza, wirniki, koła pasowe, koła łańcuchowe itd., należy zamocować w bezpieczny sposób.



OSTRZEŻENIE

Obracające się części mogą dotknąć lub wciągnąć ręce, stopy, włosy, ubrania lub akcesoria.

Wskutek tego może dojść do odcięcia kończyny lub okaleczenia.

- Urządzenie należy eksploatować z osłonami znajdującymi się we właściwych miejscach.
- Ręce i stopy muszą znajdować się z dala od części wirujących.
- Należy związać długie włosy i zdjąć biżuterię.
- Nie należy nosić luźnej odzieży, zwisających sznurków ściągających ubranie lub przedmiotów, które mogą dostać się do części wirujących.



OSTRZEŻENIE

Pracujący silnik wytwarza ciepło. Części silnika, szczególnie tłumik, nagrzewają się do wysokich temperatur.

Przy kontakcie z nimi mogą powstawać poważne oparzenia.

Łatwopalne pozostałości, takie jak liście, trawa i inne zanieczyszczenia mogą się łatwo zapalić.

- Przed dotknięciem należy schłodzić tłumik, cylinder silnika i żebra.
- Usunąć nagromadzone zanieczyszczenia z obszaru tłumika i cylindra.
- Używanie lub obsługiwanie silnika na terenie zalesionym, zakrzewionym lub trawiastym, jeśli układ wydechowy silnika nie jest wyposażony w sprawny iskrochron, stanowi naruszenie przepisu 4442 kalifornijskiego kodeksu California Public Resource Code. W innych stanach lub na terenach objętych jurysdykcją federalną mogą obowiązywać podobne przepisy. Skontaktować się z producentem oryginalnego sprzętu, sprzedawcą detalicznym lub dealerem, aby uzyskać iskrochron przeznaczony do układu wydechowego, zainstalowanego na tym silniku.



OSTRZEŻENIE

Przypadkowe iskrzenie może spowodować pożar lub porażenie prądem.

Przypadkowe uruchomienie może spowodować zapłatanie, amputację urazową lub rany.

Zagrożenie pożarem

Przed wykonaniem regulacji lub napraw:

- Odłączyć przewód świecy zapłonowej i przechowywać go z dala od świecy.
- Odłączyć akumulator od ujemnego zacisku (tylko silniki z zapłonem elektrycznym).
- Używać tylko odpowiednich narzędzi.
- Nie manipulować przy sprężynie regulatora prędkości silnika, łącznikach i innych częściach w celu zwiększenia prędkości silnika.
- Należy stosować takie same części zamienne i instalować je w tym samym położeniu co części oryginalne. Inne części mogą nie działać wystarczająco dobrze, mogą również uszkodzić urządzenie i spowodować obrażenia.

- Nie wolno uderzać w koło zamachowe młotkiem lub innymi twardymi przedmiotami, ponieważ koło może później rozpaść się w czasie pracy silnika.

Podczas sprawdzania iskry:

- Użyć atestowanego testera świec zapłonowych.
- Nie należy sprawdzać iskry przy wyjętej świecy zapłonowej.

Budowa i elementy obsługowe

Elementy obsługowe

Porównać rysunki (rys: 1, 2, 3) z silnikiem w celu zapoznania się z położeniem różnych części silnika oraz elementów obsługowych.

- A. Identyfikacja silnika **Model – Typ – Kod**
- B. Świeca zapłonowa
- C. Filtr powietrza
- D. Uchwyt linki rozrusznika (jeśli znajduje się na wyposażeniu)
- E. Prętowy wskaźnik poziomu oleju
- F. Korek spustu oleju
- G. Tłumik, osłona tłumika (jeśli znajduje się na wyposażeniu), chwytacz iskier (jeśli znajduje się na wyposażeniu)
- H. Kratka wlotu powietrza
- I. Kratka wlotu powietrza
- J. Filtr oleju (jeśli znajduje się na wyposażeniu)
- K. Rozrusznik elektryczny (jeśli znajduje się jest na wyposażeniu)
- L. Gaźnik
- M. Filtr paliwa (jeśli znajduje się na wyposażeniu)
- N. Pompa paliwa (jeśli znajduje się na wyposażeniu)
- O. Szybki spust oleju (jeśli znajduje się na wyposażeniu)
- P. Elektryczna jednostka sterująca (jeśli znajduje się na wyposażeniu)

Symbole sterowania i ich znaczenia — silnik

Symbol	Znaczenie	Symbol	Znaczenie
	Prędkość silnika — SZYBKO		Prędkość silnika — WOLNO
	Prędkość silnika — ZATRZYMANIE		WŁ.–WYŁ.
	Uruchamianie silnika — manetka ssania w położeniu ZAMKNIĘTYM		Uruchamianie silnika — manetka ssania w położeniu OTWARTYM
	Korek wlewu paliwa Zawór odcinający paliwo — OTWARTY		Zawór odcinający paliwo — ZAMKNIĘTY
	Poziom paliwa — maks. Nie przepelnić		

Obsługa

Zalecenia dotyczące oleju

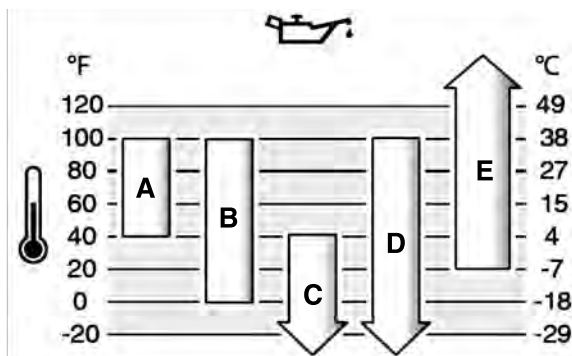
Pojemność miski olejowej: Patrz punkt **Dane techniczne**.

UWAGA

Firma Briggs & Stratton dostarcza silnik bez oleju. Producenci lub sprzedawcy urządzenia mogli wlać olej do silnika. Przed jego pierwszym uruchomieniem należy pamiętać o sprawdzeniu poziomu oleju i dodaniu oleju zgodnie z instrukcją zawartą w niniejszym podręczniku. Uruchomienie silnika bez oleju spowoduje jego nieodwracalne uszkodzenie, które nie będzie objęte gwarancją.

Aby osiągnąć najlepszą wydajność, zaleca się stosowanie olejów z certyfikatem gwarancji firmy Briggs & Stratton. Dopuszczalne jest stosowanie innych wysokiej jakości olejów detergentowych klas SF, SG, SH, SJ lub wyższych. Nie używać dodatków specjalnych.

Temperatury zewnętrzne wyznaczają właściwą lepkość oleju dla silnika. Najlepszą lepkość dla zakresu temperatur zewnętrznych należy wybrać przy użyciu wykresu. W większości urządzeń elektrycznych używanych na zewnątrz silniki działają dobrze z olejem syntetycznym 5W-30. W przypadku urządzeń używanych w wysokich temperaturach najlepszą ochronę zapewnia olej syntetyczny Vanguard™ 15W-50



A	SAE 30 — Jeśli olej SAE 30 zostanie użyty w temperaturze poniżej 40°F (4°C), wystąpią trudności z uruchomieniem silnika.
B	10W-30 — W temperaturach powyżej 80°F (27°C) stosowanie oleju 10W-30 może spowodować zwiększone zużycie oleju. Należy częściej sprawdzać poziom oleju.
C	5W-30
D	Syntetyczny 5W-30
E	Vanguard™ syntetyczny 15W-50

Kontrola poziomu oleju

Zob. rysunek: 4

Przed dodaniem lub sprawdzeniem poziomu oleju

- Upewnić się, że silnik jest wypoziomowany.
- Oczyścić obszar wlewu oleju z wszelkich zanieczyszczeń.

- Wyjąć wskaźnik prętowy (A, rys. 4) i wytrzeć czystą ściereczką.
- Zamocować i dokręcić wskaźnik prętowy (A, rys. 4).
- Wyjąć wskaźnik i sprawdzić poziom oleju. Poziom oleju jest prawidłowy, jeśli sięga górnego znacznika na wskaźniku (B, rys. 4).
- Jeśli poziom oleju silnikowego jest niski, należy go uzupełnić (C, rys. 4). **Nie przepelnić.** Po dolaniu oleju odczekać minutę i ponownie sprawdzić poziom oleju.

Uwaga: Nie dolewać oleju przez szybki spust oleju, jeśli silnik jest w niego wyposażony. Umieszczenie spustu przedstawiono w części **Budowa i elementy obsługowe**.

- Ponownie zamocować i dokręcić wskaźnik prętowy (A, rys. 4).

System ochrony przed niskim poziomem oleju (jeśli jest na wyposażeniu)

Niektóre silniki wyposażone są w czujnik niskiego poziomu oleju. Jeśli poziom oleju jest niski, czujnik aktywuje kontrolkę ostrzegawczą lub zatrzymuje silnik. Zatrzymać silnik i postępować zgodnie z podanymi krokami przed ponownym uruchomieniem silnika.

- Upewnić się, że silnik jest wypoziomowany.
- Sprawdzić poziom oleju. Zob. część **Kontrola poziomu oleju**.
- Jeśli poziom oleju jest niski, dodać odpowiednią ilość oleju. Uruchomić silnik i upewnić się, czy kontrolka ostrzegawcza (jeśli jest na wyposażeniu) nie świeci się.
- Jeżeli poziom oleju nie jest niski, nie uruchamiać silnika. Skontaktować się z autoryzowanym serwisem Briggs & Stratton w celu usunięcia problemu z olejem.

Zalecenia dotyczące paliwa

Paliwo musi spełniać następujące wymagania:

- Czysta, świeża, bezołowiowa benzyna.
- Minimalna liczba oktanowa 87/87 AKI (91 RON). Zastosowanie na dużej wysokości, zob. poniżej.
- Dopuszczalne jest stosowanie benzyny z maksymalnie 10% zawartością etanolu (gazoholu).

UWAGA Nie stosować niedopuszczonych benzyn, takich jak E15 i E85. Nie mieszać oleju z benzyną ani nie modyfikować silnika w celu dostosowania go do pracy na alternatywnych paliwach. Użycie niezatwierdzonych paliw może doprowadzić do nieobjętych gwarancją uszkodzeń podzespołów silnika.

Aby zabezpieczyć układ paliwowy przed tworzeniem się żywic, do paliwa należy dodać stabilizator paliwa. Zob. część **Przechowywanie**. Każde paliwo jest inne. Jeśli wystąpią problemy z rozruchem lub wydajnością, należy zmienić dostawcę lub gatunek paliwa. Silnik przystosowany jest do zasilania benzyną. System ograniczenia zanieczyszczeń w spalinach dla silnika to EM (modyfikacje silnika).

Zastosowanie na dużej wysokości

Na wysokościach powyżej 1524 metrów (5000 stóp), dopuszczalna jest benzyna co najmniej 85 oktanowa/85 AKI (89 RON).

W przypadku silników gaźnikowych wymagana jest regulacja na dużych wysokościach w celu zachowania wydajności. Praca bez takiej regulacji spowoduje obniżenie wydajności, zwiększenie zużycia paliwa i zwiększenie emisji spalin. Informacje na temat regulacji dla dużych wysokości można uzyskać u autoryzowanego dealera firmy Briggs & Stratton. Nie zaleca się eksploatacji silnika z regulacją dla dużych wysokości na wysokościach poniżej 762 metrów (2500 stóp).

W przypadku silników z elektronicznym wtryskiem paliwa (EFI) nie jest potrzebna regulacja na dużych wysokościach.

Uzupełnianie paliwa

Zob. rysunek: 5



OSTRZEŻENIE

Paliwo i jego opary są łatwopalne i wybuchowe.

Pożar lub wybuch mogą przyczynić się do poważnych poparzeń lub doprowadzić do śmierci.

Podczas uzupełniania paliwa

- Wyłączyć silnik i pozostawić do ostygnięcia na co najmniej 2 minuty i dopiero wtedy zdjąć korek wlewu paliwa.
 - Napełniać zbiornik paliwa na zewnątrz budynku lub w dobrze wentylowanym miejscu.
 - Nie dopuszczać do przepełnienia zbiornika paliwa. Aby umożliwić rozprężanie się paliwa, nie należy napełniać zbiornika paliwa powyżej dolnej części szyjki wlewu paliwa.
 - Nie przechowywać paliwa w pobliżu źródeł iskr, nieosłoniętych płomieni, płomieni pilota, źródła ciepła lub innych źródeł zapłonu.
 - Sprawdzić, czy przewody paliwa, zbiornik, korek wlewu lub złącza nie są pęknięte lub nie przeciekają. Jeśli to konieczne, należy je wymienić na nowe.
 - W przypadku rozlania paliwa przed uruchomieniem silnika zaczekać na odparowanie paliwa.
1. Obszar wlewu paliwa oczyścić z wszelkich zanieczyszczeń i osadów. Odkręcić korek wlewu paliwa.
 2. Napełnić zbiornik paliwa (A, rysunek 5). Aby umożliwić rozprężanie się paliwa, nie należy napełniać zbiornika paliwa powyżej dolnej części szyjki wlewu paliwa (B).
 3. Ponownie założyć korek wlewu paliwa.

Uruchamianie i zatrzymywanie silnika

Zob. rysunek: 6

Uruchamianie silnika



OSTRZEŻENIE

Gwałtowne szarpnięcie linki rozrusznika (odrzut) pociągnie rękę do silnika szybciej, niż operator nad tym zapanuje.

Może to spowodować złamania, pęknięcia kości lub zwichnięcia.

- Podczas uruchamiania silnika należy powoli pociągnąć linkę rozrusznika aż do wycucia oporu i wtedy pociągnąć energicznie, aby uniknąć odrzutu.



OSTRZEŻENIE

Paliwo i jego opary są łatwopalne i wybuchowe.

Pożar lub wybuch mogą przyczynić się do poważnych poparzeń lub doprowadzić do śmierci.

Podczas uruchamiania silnika

- Sprawdzić, czy świeca zapłonowa, tłumik, korek wlewu i filtr powietrza (jeśli jest na wyposażeniu) są na swoim miejscu i są dobrze zamocowane.
- Nie uruchamiać silnika bez świecy zapłonowej.
- W przypadku zalania silnika ustawić manetkę ssania (jeśli jest na wyposażeniu) w pozycji OTWARCIA / URUCHAMIANIA (OPEN / RUN), przesunąć dźwignię przepustnicy (jeśli jest na wyposażeniu) do pozycji SZYBKO (FAST) i spróbować uruchomić silnik.



OSTRZEŻENIE

ZAGROŻENIE TRUJĄCYM GAZEM. Gazy spalinowe z silnika zawierają tlenek węgla – trujący gaz, który w ciągu kilku minut może spowodować śmiertelne zatrucie. Jest to substancja NIEWIDOCZNA, bez zapachu i smaku. Nawet jeśli użytkownik nie wyczuwa gazów spalinowych, może być narażony na działanie tlenku węgla. W przypadku mdłości, zawrotów głowy czy osłabienia odczuwanych w trakcie korzystania z produktu należy go NATYCHMIAST wyłączyć i wyjść na świeże powietrze. Należy skontaktować się z lekarzem. Mogło dojść do zatrucia tlenkiem węgla.

- Z produktu korzystać WYŁĄCZNIE na zewnątrz, z dala od okien, drzwi i otworów wentylacyjnych, aby zmniejszyć ryzyko gromadzenia się tlenku węgla i potencjalnego wciągnięcia go do pomieszczeń zajmowanych przez ludzi.
- Zamontować urządzenia alarmujące o obecności tlenku węgla z zasilaniem baterijnym lub zasilane prądem sieciowym z baterią podtrzymującą, zgodnie z instrukcjami producenta. Alarmy dymowe nie wykrywają obecności tlenku węgla.
- NIE WOLNO uruchamiać urządzenia w domu, garażu, piwnicy, przestrzeni podpodłogowej, szopach ani innych częściowo zamkniętych pomieszczeniach, nawet jeśli włączone są wentylatory lub otwarte są drzwi i okna. Tlenek węgla szybko gromadzi się w takich miejscach i może się w nich utrzymywać przez kilka godzin, nawet po wyłączeniu urządzenia.
- ZAWSZE umieszczać ten produkt z wiatrem i kierować wydech silnika z dala od pomieszczeń używanych przez ludzi.

UWAGA Firma Briggs & Stratton dostarcza silnik bez oleju. Przed jego uruchomieniem należy pamiętać o dodaniu oleju zgodnie z instrukcją zawartą w niniejszym podręczniku. Uruchomienie silnika bez oleju spowoduje jego nieodwracalne uszkodzenie, które nie będzie objęte gwarancją.

Określenie typu układu rozruchu

Przed uruchomieniem silnika należy określić typ układu rozruchu silnika. Silniki mogą mieć następujące typy układów.

- **Układ ReadyStart®:** Układ wyposażony jest w system automatycznego ssania sterowanego czujnikiem temperatury. W typie tym nie stosuje się pompki zastrzykowej.
- **Elektroniczny system zarządzania paliwem:** Obejmuje elektroniczną jednostkę sterującą, która monitoruje stan silnika i warunki temperaturowe. Ten typ układu nie posiada manetki ssania ani pompki zastrzykowej.
- **Układ z przepustnicą ssania:** W przypadku uruchamiania zimnego silnika używana jest manetka ssania. Niektóre modele wyposażone są w osobne układy sterowania manetką ssania, podczas gdy w innych układy sterowania manetką ssania / przepustnicą są ze sobą połączone. W typie tym nie stosuje się pompki zastrzykowej.

W celu uruchomienia silnika należy postępować zgodnie z instrukcjami dla danego typu układu rozruchu.

Uwaga: Wyposażenie może być sterowane zdalnie. Położenie i sposób obsługi elementów zdalnego sterowania opisano w instrukcji wyposażenia.

System ReadyStart®

1. Sprawdzić poziom oleju w silniku. Zob. część **Kontrola poziomu oleju**.
2. Upewnić się, że elementy sterowania napędem są odłączone (jeśli są zamontowane).
3. Przekręcić zawór odcinający dopływ paliwa (A, rys. 6), jeśli jest na wyposażeniu, w położenie otwarte (OPEN).

- Przesunąć dźwignię sterowania przepustnicą (B, rys. 6), jeżeli jest na wyposażeniu, do położenia SZYBKO (FAST). Urządzenie należy eksploatować z ustawieniem obrotów silnika na SZYBKO (FAST).

Uwaga: W celu uruchomienia silnika w niskiej temperaturze (poniżej 32°F) przesunąć manetkę ssania / dźwignię przepustnicy (B C, rys. 6) do położenia ssania.

- Wyłącznik kluczykowy, jeśli znajduje się na wyposażeniu:** Obrócić wyłącznik kluczykowy (D, rys. 6) do położenia uruchomienia (ON / START).

Przycisk włączenia / wyłączenia, jeśli znajduje się na wyposażeniu: Wcisnąć przycisk włączenia / wyłączenia (F, rys. 6).

UWAGA Aby przedłużyć żywotność rozrusznika, należy stosować krótkie cykle rozruchu (maks. pięć sekund). Pomiedzy cyklami rozruchu zawsze odczekać jedną minutę.

Uwaga: Jeśli po kilku próbach silnik nie zostanie uruchomiony, należy skontaktować się ze sprzedawcą, odwiedzić stronę internetową **BRIGGSandSTRATTON.com** lub zadzwonić na numer **1-800-233-3723** (w USA).

Elektroniczny system zarządzania paliwem

- Sprawdzić poziom oleju w silniku. Zob. część **Kontrola poziomu oleju**.
- Upewnić się, że elementy sterowania napędem są odłączone (jeśli są zamontowane).
- Przekręcić zawór odcinający dopływ paliwa (A, rys. 6), jeśli jest na wyposażeniu, w położenie otwarte (OPEN).
- Przesunąć dźwignię sterowania przepustnicą (B, rys. 6), jeżeli jest na wyposażeniu, do położenia SZYBKO (FAST). Urządzenie należy eksploatować z ustawieniem obrotów silnika na SZYBKO (FAST).
- Rozrusznik linkowy samopowrotny, jeśli znajduje się na wyposażeniu:** Obrócić wyłącznik kluczykowy (D, rys. 6) do położenia uruchomienia (ON / START).
- Rozrusznik linkowy samopowrotny, jeśli znajduje się na wyposażeniu:** Mocno przytrzymać uchwyt linki rozrusznika (E, rys. 6). Powoli pociągnąć linkę rozrusznika aż do wycucia oporu i wtedy pociągnąć energicznie.



OSTRZEŻENIE

Gwałtowne szarpnięcie linki rozrusznika (odrzut) pociągnie rękę do silnika szybciej, niż operator będzie mógł nad tym zapanować. Może to spowodować złamania, pęknięcia kości lub zwichnięcia. Podczas uruchamiania silnika należy powoli pociągnąć linkę rozrusznika aż do wycucia oporu i wtedy pociągnąć energicznie, aby uniknąć odrzutu.

- Rozrusznik elektryczny, jeżeli jest na wyposażeniu:** Obrócić wyłącznik kluczykowy (D, rys. 6) do położenia uruchomienia (ON / START).

UWAGA Aby przedłużyć żywotność rozrusznika, należy stosować krótkie cykle rozruchu (maks. pięć sekund). Pomiedzy cyklami rozruchu zawsze odczekać jedną minutę.

Uwaga: Jeśli po kilku próbach silnik nie zostanie uruchomiony, należy skontaktować się ze sprzedawcą, odwiedzić stronę internetową **BRIGGSandSTRATTON.com** lub zadzwonić na numer **1-800-233-3723** (w USA).

Układ z przepustnicą ssania

- Sprawdzić poziom oleju w silniku. Zob. część **Kontrola poziomu oleju**.
- Upewnić się, że elementy sterowania napędem są odłączone (jeśli są zamontowane).
- Przekręcić zawór odcinający dopływ paliwa (A, rys. 6), jeśli jest na wyposażeniu, w położenie otwarte (OPEN).
- Przesunąć dźwignię sterowania przepustnicą (B, rys. 6), jeżeli jest na wyposażeniu, do położenia SZYBKO (FAST). Urządzenie należy eksploatować z ustawieniem obrotów silnika na SZYBKO (FAST).
- Przesunąć manetkę ssania (C, rys. 6) do położenia zamkniętego. W modelach, w których klady sterowania manetką ssania / przepustnicą są ze sobą połączone (B C), przesunąć sterowanie w położenie SSANIA (CHOKE).

Uwaga: Ssanie jest zazwyczaj niepotrzebne podczas uruchamiania ciepłego silnika.

- Rozrusznik linkowy samopowrotny, jeśli znajduje się na wyposażeniu:** Obrócić wyłącznik kluczykowy (D, rys. 6) do położenia uruchomienia (ON / START).
- Rozrusznik linkowy samopowrotny, jeśli znajduje się na wyposażeniu:** Mocno przytrzymać uchwyt linki rozrusznika (E, rys. 6). Powoli pociągnąć linkę rozrusznika aż do wycucia oporu i wtedy pociągnąć energicznie.



OSTRZEŻENIE

Gwałtowne szarpnięcie linki rozrusznika (odrzut) pociągnie rękę do silnika szybciej, niż operator będzie mógł nad tym zapanować. Może to spowodować złamania, pęknięcia kości lub zwichnięcia. Podczas uruchamiania silnika należy powoli pociągnąć linkę rozrusznika aż do wycucia oporu i wtedy pociągnąć energicznie, aby uniknąć odrzutu.

- Rozrusznik elektryczny, jeżeli jest na wyposażeniu:** Obrócić wyłącznik kluczykowy (D, rys. 6) do położenia uruchomienia (ON / START).

UWAGA Aby przedłużyć żywotność rozrusznika, należy stosować krótkie cykle rozruchu (maks. pięć sekund). Pomiedzy cyklami rozruchu zawsze odczekać jedną minutę.

- W miarę rozgrzewania się silnika przesunąć manetkę ssania (C, rys. 6) do położenia otwartego. W modelach, w których układy sterowania manetką ssania / przepustnicą są ze sobą połączone (B C), przesunąć sterowanie w położenie SZYBKIE (FAST).

Uwaga: Jeśli po kilku próbach silnik nie zostanie uruchomiony, należy skontaktować się ze sprzedawcą, odwiedzić stronę internetową **BRIGGSandSTRATTON.com** lub zadzwonić na numer **1-800-233-3723** (w USA).

Zatrzymanie silnika



OSTRZEŻENIE



Paliwo i jego opary są łatwopalne i wybuchowe.

Pożar lub wybuch mogą przyczynić się do poważnych poparzeń lub doprowadzić do śmierci.

- Nie włączać ssania gaźnika, aby zatrzymać silnik.

- Wyłącznik kluczykowy, jeśli znajduje się na wyposażeniu:** Gdy dźwignia sterowania przepustnicą znajduje się w położeniu wolno (SLOW), obrócić wyłącznik kluczykowy (D, rys. 6) do położenia zatrzymania (OFF). Wyjąć kluczyk i przechowywać go w miejscu niedostępnym dla dzieci.
Przycisk włączenia / wyłączenia, jeśli znajduje się na wyposażeniu: Gdy dźwignia sterowania przepustnicą znajduje się w położeniu SZYBKO (FAST), nacisnąć przycisk włączenia/wyłączenia (F, rys. 6).
- Po wyłączeniu silnika przekręcić zawór odcinający paliwo (A, rys. 6), jeżeli jest na wyposażeniu, w ustawienie zamknięte (CLOSED).

Konserwacja

UWAGA Jeśli podczas konserwacji silnik będzie przechylany, należy opróżnić zbiornik paliwa, jeśli jest zamontowany, a sam silnik podnosić tak, aby strona ze świecą zapłonową znajdowała się u góry. Jeśli zbiornik paliwa nie jest opróżniony, a silnik jest przechylony w innym kierunku, mogą wystąpić problemy z jego uruchomieniem ze względu na zanieczyszczenie filtra powietrza i/lub świecy zapłonowej olejem lub benzyną.



OSTRZEŻENIE

W przypadku konserwacji wymagającej przechylenia zespołu należy opróżnić zbiornik paliwa, gdyż w przeciwnym wypadku może dojść do wycieku paliwa prowadzącego do pożaru lub wybuchu.

Zalecamy skontaktowanie się z autoryzowanym punktem serwisowym Briggs & Stratton w kwestiach konserwacji i napraw silnika i części silnika.

UWAGA W celu zapewnienia prawidłowego działania silnika wszystkie elementy wykorzystane do jego wytworzenia muszą pozostawać na swoim miejscu.



OSTRZEŻENIE



Przypadkowe iskrzenie może doprowadzić do pożaru lub porażenia prądem elektrycznym.

Przypadkowe uruchomienie może spowodować zapłatanie, odcięcie kończyny lub odniesienie obrażeń.

Zagrożenie pożarowe

Przed dokonywaniem regulacji lub napraw

- Odcłóczyć przewód świecy zapłonowej i odsunąć go od świecy.
- Rozłączyć akumulator przy zacisku ujemnym (tylko w przypadku silników z rozrusznikiem elektrycznym).

- Należy używać tylko odpowiednich narzędzi.
- Nie manipulować sprężynami, cięgnami lub innymi częściami regulatora obrotów w celu zwiększenia prędkości obrotowej silnika.
- Należy stosować takie same części zamienne i instalować je w tym samym położeniu co części oryginalne. Inne części mogą nie działać wystarczająco dobrze, mogą również uszkodzić urządzenie i spowodować obrażenia.
- Nie wolno uderzać w koło zamachowe młotkiem lub innymi twardymi przedmiotami, ponieważ koło może później rozpaść się w czasie pracy silnika.

Podczas sprawdzania iskry

- Użyć atestowanego testera świec zapłonowych.
- Nie należy sprawdzać iskry przy wyjętej świecy zapłonowej.

Serwisowanie systemu ograniczenia emisji spalin

Konserwacja, wymiana lub naprawa systemów i urządzeń mających na celu ograniczenie emisji musi być przeprowadzona przez dowolny zakład lub osobę zajmującą się naprawą silników do pojazdów niefabrycznych. W celu skorzystania z darmowego serwisu systemu ograniczenia emisji prace należy skontaktować się z autoryzowanym sprzedawcą. Zob. oświadczenia w sprawie ograniczenia emisji.

Harmonogram konserwacji

Po pierwszych 5 godzinach pracy
<ul style="list-style-type: none"> • Wymiana oleju ³
Po każdym 8 godzinach pracy lub codziennie
<ul style="list-style-type: none"> • Kontrola poziomu oleju w silniku • Czyszczenie obszaru dookoła tłumika i elementów obsługowych • Czyszczenie kratki wlotu powietrza
Co każde 25 godzin lub co roku
<ul style="list-style-type: none"> • Czyszczenie filtra powietrza ¹ • Czyszczenie filtra wstępnego (jeśli znajduje się na wyposażeniu) ¹
Co każde 50 godzin lub co roku
<ul style="list-style-type: none"> • Wymiana oleju silnikowego ⁴ • Wymiana filtra oleju (jeśli znajduje się na wyposażeniu) ⁴ • Serwis układu wydechowego
Co każde 100 godzin lub co roku
<ul style="list-style-type: none"> • Wymiana oleju silnikowego ⁵ • Wymiana filtra oleju (jeśli znajduje się na wyposażeniu) ⁵
Raz do roku
<ul style="list-style-type: none"> • Wymiana świec zapłonowych • Wymiana filtra powietrza • Wymiana filtra wstępnego (jeśli znajduje się na wyposażeniu) • Wymiana filtra paliwa (jeśli znajduje się na wyposażeniu) • Serwis układu paliwowego • Serwis układu chłodzenia ¹ • Sprawdzenie luzu zaworowego ²

¹ W warunkach dużego zapylenia lub przy obecności zanieczyszczeń w powietrzu czyszczenie należy przeprowadzać częściej.

² Nie jest wymagane, dopóki nie stwierdzono problemów z osiąganymi silnika.

³ Tylko silniki bez filtra oleju.

⁴ Silnik bez filtra oleju lub ze standardowym czarnym filtrem oleju (numer części – zob. **Dane techniczne**).

⁵ Silnik z wysokowydajnym żółtym lub pomarańczowym filtrem oleju (numer części – zob. **Dane techniczne**).

Elektroniczny system zarządzania paliwem

Elektroniczny system zarządzania paliwem monitoruje temperaturę i prędkość silnika oraz napięcie akumulatora, aby odpowiednio regulować ssanie podczas uruchamiania i nagrzewania silnika. System ten nie wymaga regulacji. W przypadku problemów z uruchomieniem lub działaniem należy skontaktować się z autoryzowanym sprzedawcą Briggs & Stratton.

UWAGA Postępować w sposób opisany poniżej, w przeciwnym razie może dojść do uszkodzenia elektronicznego systemu zarządzania paliwem.

- Nie uruchamiać silnika, jeśli przewody akumulatora są luźne.
- Przed rozłączeniem, wyjęciem i/lub włożeniem akumulatora zawsze ustawić kluczyk w pozycji wyłączenia.
- Nie uruchamiać silnika z podłączoną ładowarką akumulatora.
- Nie odłączać przewodów akumulatora przy uruchomionym silniku.
- Podczas podłączania przewodów do akumulatora najpierw podłączyć przewód dodatni (+), a następnie ujemny (-).
- Na czas ładowania akumulatora ustawić kluczyk w pozycji wyłączenia i odłączyć przewód ujemny (-) od akumulatora.
- Nie natryskiwać wody bezpośrednio na elektroniczną jednostkę sterującą.

Gaźnik i prędkość silnika

Nigdy nie regulować gaźnika ani prędkości silnika. Gaźnik został ustawiony fabrycznie dla wydajnej pracy w większości warunków. Nie manipulować przy sprężynie regulatora, łącznikach lub innych częściach, aby zmienić prędkość silnika. Jeśli wymagane są regulacje, skontaktować się z autoryzowanym punktem serwisowym Briggs & Stratton.

UWAGA Prędkość maksymalna dla silnika zainstalowanego w danym urządzeniu jest określona przez producenta. **Nie przekraczać** tej prędkości. W przypadku braku pewności, jaka jest maksymalna prędkość wyposażenia lub jaka jest nastawa fabryczna prędkości silnika, skontaktować się z autoryzowanym punktem serwisowym Briggs & Stratton, aby uzyskać pomoc. Dla bezpiecznego i prawidłowego działania wyposażenia, prędkość obrotowa silnika powinna być regulowana wyłącznie przez wykwalifikowanego technika serwisu.

Serwis świec zapłonowych

Zob. rysunek: 7

Sprawdzić odstęp (A, rysunek 7) za pomocą szczelinomierza (B). Jeżeli konieczne, ponownie ustawić odstęp elektrod. Zamontować i przykręcić świecę zapłonową z zalecanym momentem. Wielkość szczeliny oraz moment podano w części **Dane techniczne**.

Uwaga: Na niektórych terenach w celu stłumienia sygnałów zapłonu należy użyć świecy z rezystorem. Jeżeli silnik był wyposażony w świecę zapłonową z rezystorem, należy upewnić się, że wymieniana świeca jest tego samego typu.

Serwis układu wydechowego



OSTRZEŻENIE Pracujący silnik wytwarza ciepło. Części silnika, szczególnie tłumik, nagrzewają się do wysokich temperatur.

Przy kontakcie z nimi mogą powstać poważne oparzenia.

Łatwopalne pozostałości w postaci liści, trawy, brudu itd. mogą się łatwo zapalić.

- Przed dotknięciem należy schłodzić tłumik, cylinder silnika i żebra.
- Usunąć nagromadzone zanieczyszczenia z obszaru tłumika i cylindra.
- Używanie lub obsługiwanie silnika na terenie zalesionym, zakrzewionym lub trawiastym, jeśli układ wydechowy silnika nie jest wyposażony w sprawny chwytacz iskier, stanowi naruszenie Przepisu 4442 Kodeksu o zasobach publicznych stanu Kalifornia. W innych stanach lub na terenach objętych jurysdykcją federalną mogą obowiązywać podobne przepisy. Skontaktować się z producentem oryginalnego wyposażenia, sprzedawcą detalicznym lub dealerem, aby uzyskać chwytacz iskier przeznaczony do układu wydechowego zainstalowanego w tym silniku.

Usunąć nagromadzone zanieczyszczenia z obszaru tłumika i cylindra. Skontrolować stan tłumika pod kątem pęknięć, korozji bądź innych uszkodzeń. Zdemonstrować chwytacz iskier, jeśli jest zamontowany, po czym skontrolować go pod kątem uszkodzeń oraz obecności nagaru węglowego. W przypadku stwierdzenia uszkodzeń, przed uruchomieniem zamontować części zamienne.



OSTRZEŻENIE Należy stosować takie same części zamienne i instalować je w tym samym położeniu co części oryginalne. Inne części mogą nie działać wystarczająco dobrze, mogą również uszkodzić urządzenie i spowodować obrażenia.

Wymiana oleju silnikowego

Zob. rysunek: 8, 9, 10, 11

Zużyty olej stanowi zagrożenie dla środowiska i powinien być właściwie utylizowany. Nie wlewać go do odpadów domowych. Informacje dotyczące bezpiecznego usuwania/miejsca

utylicacji oleju można uzyskać od władz lokalnych, w centrach serwisowych lub u sprzedawcy.

Usuwanie oleju

1. Gdy silnik jest wyłączony, ale wciąż jeszcze ciepły, odłączyć przewód świecy zapłonowej (D, rys. 8) i odsunąć go od świecy (E).
2. Wyjąć wskaźnik prętotowy (A, rys. 9).

Korek spustu oleju, jeśli znajduje się na wyposażeniu

1. Wyjąć korek spustu oleju (F, rys. 10). Spuścić olej do atestowanego pojemnika.

Uwaga: Na silniku może być zamontowany dowolny z pokazanych korków spustowych (G, rys. 10).

2. Po spuszczeniu oleju ponownie zamocować i przykręcić korek spustowy (F, rys. 10).

Szybki spust oleju, jeśli znajduje się na wyposażeniu

1. Odłączyć przewód szybkiego spustu oleju (H, rys. 11) od silnika.
2. Obrócić i zdjąć korek spustowy (I, rys. 11). Ostrożnie opuścić wylot szybkiego spustu oleju (H) do zatwierdzonego pojemnika (J).
3. Po odprowadzeniu oleju ponownie zamocować i przykręcić korek szybkiego spustu oleju (I, rys. 11). Zamocować przewód szybkiego spustu oleju (H) do silnika.

Wymiana filtra oleju, jeśli jest na wyposażeniu

Niektóre modele są wyposażone w filtr oleju. Częstotliwość wymiany opisano w części **Harmonogram konserwacji**.

1. Spuścić olej z silnika. Zapoznać się z częścią **Usuwanie oleju**.
2. Zdemontować filtr oleju (K, rys. 9) i odpowiednio go zutylizować.
3. Przed zainstalowaniem nowego filtra oleju delikatnie nasmarować uszczelkę filtra oleju świeżym, czystym olejem.
4. Zainstalować ręcznie filtr oleju, tak aby uszczelka dotknęła łącznika filtra oleju, a następnie dokręcić filtr oleju z 1/2 do 3/4 obrotów.
5. Uzupelnnić ilość oleju. Zapoznać się z częścią **Dodawanie oleju**.
6. Uruchomić silnik. W miarę nagrzewania się silnika sprawdzić, czy olej nie przecieka.
7. Wyłączyć silnik i sprawdzić poziom oleju. Poziom oleju jest prawidłowy, jeśli sięga górnego znacznika na wskaźniku (B, rys. 9).

Dodawanie oleju

- Upewnić się, że silnik jest wypoziomowany.
- Oczyszczyć obszar wlewu oleju z wszelkich zanieczyszczeń.
- Ilości oleju podano w części **Dane techniczne**.

1. Wyjąć wskaźnik prętotowy (A, rys. 9) i wytrzeć czystą ściereczką.
2. Powoli wlać olej przez otwór do napełniania (C, rys. 9). **Nie przepelniać.** Po dolaniu oleju odczekać minutę i sprawdzić poziom oleju.

Uwaga: Nie dolewać oleju przez szybki spust oleju (H, rys. 11), jeśli silnik jest w niego wyposażony.

3. Zamocować i dokręcić wskaźnik prętotowy (A, rys. 9).
4. Wyjąć wskaźnik i sprawdzić poziom oleju. Poziom oleju jest prawidłowy, jeśli sięga górnego znacznika na wskaźniku (B, rys. 9).
5. Ponownie zamocować i dokręcić wskaźnik prętotowy (A, rys. 9).
6. Podłączyć przewód świecy zapłonowej (D, rys. 8) do świecy (E).

Serwis filtra powietrza

Zob. rysunek: 12, 13



OSTRZEŻENIE

Paliwo i jego opary są łatwopalne i wybuchowe.

Pożar lub wybuch mogą przyczynić się do poważnych poparzeń lub doprowadzić do śmierci.

- Nigdy nie należy włączać silnika ze zdjętym zestawem do czyszczenia powietrza (jeśli jest na wyposażeniu) lub filtrem powietrza (jeśli jest na wyposażeniu).

UWAGA Do czyszczenia filtra nie należy używać sprężonego powietrza lub rozpuszczalników. Sprężone powietrze może uszkodzić filtr, a rozpuszczalniki mogą spowodować jego rozpuszczenie.

Wymagania serwisowe opisano w rozdziale **Harmonogram konserwacji**.

Zależnie od modelu stosowane są filtry piankowe lub papierowe. Niektóre modele wyposażone są w filtr wstępny, który można umyć i wykorzystać ponownie. Porównać rysunki w niniejszej instrukcji z posiadanym silnikiem i odpowiednio przeprowadzić serwisowanie.

Papierowy filtr powietrza

1. Pociągnąć uchwyt pokrywy w górę (A, rys. 12). Przekręcić uchwyt pokrywy w kierunku silnika i zdjąć pokrywę (B).
2. Wyjąć filtr wstępny (C, rys. 12), jeśli znajduje się na wyposażeniu, oraz filtr (D).
3. Aby usunąć zanieczyszczenia, delikatnie postukać filtrem (D, rys. 12) o twarde podłoże. Jeśli filtr jest wyjątkowo mocno zabrudzony, wymienić na nowy.
4. Umyć filtr wstępny (C, rys. 12) w detergencie płynnym i wodzie. Pozostawić filtr wstępny (C) do całkowitego wyschnięcia. **Nie** smarować filtra wstępnego olejem.
5. Zamontować suchy filtr wstępny (C, rys. 12) i filtr (D) w obudowie silnika (E).
6. Odpowiednio ustawić zaczepy (F, rys. 12) pokrywy (B) względem otworów (G) w obudowie dmuchawy.
7. Obrócić uchwyt pokrywy (A, rys. 12) do pierwotnego położenia i wcisnąć uchwyt, aby go zablokować.

Papierowy filtr powietrza

1. Poluzować elementy mocujące (A, rys. 13).
2. Zdemontować pokrywę (B, rys. 13).
3. Celem wyjęcia filtra (C, rys. 13) podnieść koniec filtra i zdjąć go z wlotu powietrza (D).
4. Aby usunąć zanieczyszczenia, delikatnie poklepać twardą część filtra (C, rys. 13). Jeśli filtr jest wyjątkowo mocno zabrudzony, wymienić na nowy.
5. Wyjąć filtr wstępny (E, rys. 13), jeśli znajduje się na wyposażeniu, z filtra (C).
6. Umyć filtr wstępny (E, rys. 13), jeśli znajduje się na wyposażeniu, w detergencie płynnym i wodzie. Pozostawić do całkowitego wyschnięcia. Nie smarować filtra wstępnego olejem.
7. Zamontować suchy filtr wstępny (E, rys. 13), jeśli jest na wyposażeniu, w filtrze (C).
8. Zamontować filtr (C, rys. 13) na wlocie powietrza (D). Wcisnąć koniec filtra do obudowy silnika. Upewnić się, że filtr jest bezpiecznie umieszczony w obudowie silnika.
9. Zamknąć pokrywę filtra powietrza (B, rys. 13) i zabezpieczyć elementami mocującymi (A).

Serwis układu paliwowego

Zob. rysunek: 14, 15



OSTRZEŻENIE

Paliwo i jego opary są łatwopalne i wybuchowe.

Pożar lub wybuch mogą przyczynić się do poważnych poparzeń lub doprowadzić do śmierci.

- Nie przechowywać paliwa w pobliżu źródeł iskiei, nieosłoniętych płomieni, płomieni pilota, źródeł ciepła lub innych źródeł zapłonu.
- Sprawdzić, czy przewody paliwa, zbiornik, korek wlewu lub złącza nie są pęknięte lub nie przeciekają. Jeżeli zajdzie potrzeba, wymienić.
- Przed czyszczeniem lub wymianą filtra paliwa opróżnić zbiornik paliwa lub zamknąć zawór odcinający paliwa.
- W przypadku rozlania paliwa należy odczekać z uruchomieniem silnika aż do jego wyparowania.
- Części zamienne muszą być takie same i muszą zostać zamontowane w takim samym położeniu co części oryginalne.

Filtr paliwa, jeśli znajduje się na wyposażeniu

1. Przed czyszczeniem lub wymianą filtra paliwa (A, rys. 14) opróżnić zbiornik paliwa lub zamknąć zawór odcinający paliwa. W przeciwnym razie może dojść do wycieku paliwa i wystąpienia pożaru lub wybuchu.

2. Za pomocą szczypic ścisnąć występy (B, rys. 14) na zaciskach (C), a następnie zsunąć zaciski z filtra paliwa (A). Skręcić i ściągnąć przewody paliwa (D) z filtra paliwa.
3. Sprawdzić przewody paliwa (D, rys. 14) pod kątem pęknięć lub przecieków. Jeżeli zajdzie potrzeba, wymienić.
4. Wymienić filtr paliwa (A, rys. 14) na oryginalny filtr zamienny.
5. Zabezpieczyć przewody paliwowe (D, rys. 14) zaciskami, jak pokazano.

Filtr siatkowy paliwa, jeśli znajduje się na wyposażeniu

1. Odkręcić korek wlewu paliwa (A, rys. 15).
2. Usunąć filtr siatkowy paliwa (B, rys. 15).
3. Zabrudzony filtr siatkowy paliwa należy wyczyścić lub wymienić. W przypadku wymiany upewnij się, że filtr wymieniany jest na oryginalny filtr zamienny.

Serwis układu chłodzenia



OSTRZEŻENIE

Pracujący silnik wytwarza ciepło. Części silnika, szczególnie tłumik, nagrzewają się do wysokich temperatur.

Przy kontakcie z nimi mogą powstać poważne oparzenia.

Łatwopalne pozostałości w postaci liści, trawy, brudu itd. mogą się łatwo zapalić.

- Przed dotknięciem należy schłodzić tłumik, cylinder silnika i żebra.
- Usunąć nagromadzone zanieczyszczenia z obszaru tłumika i cylindra.

UWAGA Do czyszczenia silnika nie wolno stosować wody. Woda może zanieczyścić układ paliwowy. Do czyszczenia silnika stosować szczotkę lub suchą szmatkę.

Silnik jest chłodzony powietrzem. Brud lub zanieczyszczenia mogą ograniczyć przepływ powietrza i spowodować przegrzanie silnika, powodując pogorszenie osiągnięć oraz zmniejszając jego trwałość.

1. Do usunięcia zanieczyszczeń z obszaru wlotu powietrza użyć szczotki lub suchej szmatki.
2. Ciężna, sprężyna i elementy sterujące utrzymywać w czystości.
3. Obszar dookoła i za tłumikiem oczyścić ze wszystkich palnych zanieczyszczeń.
4. Upewnić się, czy żeberka chłodnicy oleju są wolne od zabrudzeń i zanieczyszczeń.

Wraz z upływem czasu zanieczyszczenia mogą gromadzić się między żeberkami chłodnicy cylindra i doprowadzić do przegrzania silnika. Zanieczyszczeń tych nie można zauważyć bez częściowego rozebrania silnika. Skontaktować się z autoryzowanym serwisem Briggs & Stratton celem przeprowadzenia przeglądu i wyczyszczenia układu chłodzenia powietrzem zgodnie z harmonogramem podanym w części **Harmonogram konserwacji**.

Przechowywanie



OSTRZEŻENIE

Paliwo i jego opary są łatwopalne i wybuchowe.

Pożar lub wybuch mogą spowodować groźne oparzenia lub śmierć.

W przypadku magazynowania paliwa lub urządzeń z paliwem w zbiorniku

- Przechowywać z dala od pieców, grzejników wody lub innych urządzeń z lampkami kontrolnymi lub innych źródeł zapłonu, ponieważ mogą one spowodować zapalenie oparów paliwa.

Układ paliwowy

Zob. rysunek: 16

Silnik należy przechowywać w pozycji poziomej (prawidłowe położenie robocze). Napęlić zbiornik paliwa (A, rys. 16) paliwem. Aby umożliwić rozprężanie paliwa, nie należy napęlić zbiornika paliwa powyżej syjki wlewu paliwa (B).

Jeśli paliwo jest przechowywane przez okres dłuższy niż 30 dni, może stać się zwiertzałe. Zestarzałe paliwo powoduje tworzenie się kwasu i żywic w układzie paliwowym lub na najważniejszych elementach gaźnika. Aby zachować świeżość paliwa należy zastosować **uszlachetniacz i stabilizator paliwa o zaawansowanej formule Briggs & Stratton**, dostępny we wszystkich punktach sprzedaży oryginalnych części zamiennych Briggs & Stratton.

Jeśli stabilizator paliwa dodawany jest zgodnie z instrukcją, nie ma potrzeby spuszczenia paliwa z silnika. Przed przechowywaniem, włącz silnik na dwie (2) minuty, aby rozprządzić stabilizator w układzie paliwa.

Jeśli do paliwa znajdującego się w silniku nie dodano stabilizatora paliwa, paliwo należy spuścić do odpowiedniego pojemnika. Pozostawić silnik włączony do czasu, aż wyłączy się z powodu braku paliwa. Celem zachowania świeżości paliwa zaleca się dodawanie stabilizatora do paliwa przechowywanego w kanistrze.

Olej silnikowy

Olej wymieniać, kiedy silnik jest gorący. Zob. część **Wymiana oleju silnikowego**.

Rozwiązywanie problemów

Celem uzyskania pomocy skontaktować się ze sprzedawcą, odwiedzić stronę internetową **BRIGGSandSTRATTON.com** lub zadzwonić na numer **1-800-233-3723** (w USA).

Dane techniczne

Model: 210000	
Pojemność skokowa	21.01 ci (344 cc)
Otwór	3.437 in (87,30 mm)
Skok	2.264 in (57,51 mm)
Pojemność miski olejowej – bez filtra	42 - 44 oz (1,24 - 1,30 L)
Pojemność miski olejowej – z filtrem	46 - 48 oz (1,36 - 1,40 L)
Szczelina świecy	0.030 in (0,76 mm)
Moment dokręcania świecy zapłonowej	180 lb-in (20 Nm)
Szczelina powietrzna cewki	0.010 - 0.014 in (0,25 - 0,36 mm)
Luz zaworu ssącego	0.003 - 0.005 in (0,08 - 0,13 mm)
Luz zaworu wydechowego	0.005 - 0.007 in (0,13 - 0,18 mm)

Model: 310000	
Pojemność skokowa	30.59 ci (501 cc)
Otwór	3.563 in (90,49 mm)
Skok	3.062 in (77,77 mm)
Pojemność miski olejowej – bez filtra	42 - 44 oz (1,24 - 1,30 L)
Pojemność miski olejowej – z filtrem	46 - 48 oz (1,36 - 1,40 L)
Szczelina świecy	0.030 in (0,76 mm)
Moment dokręcania świecy zapłonowej	180 lb-in (20 Nm)
Szczelina powietrzna cewki	0.010 - 0.014 in (0,25 - 0,36 mm)
Luz zaworu ssącego	0.003 - 0.005 in (0,08 - 0,13 mm)
Luz zaworu wydechowego	0.005 - 0.007 in (0,13 - 0,18 mm)

Moc silnika spada o 3,5% na każde 300 metrów (1000 stóp) powyżej poziomu morza i o 1% na każde 5,6°C (10°F) powyżej 25°C (77°F). Silnik będzie pracował zadowalająco pod kątem do 15°. Dopuszczalne ograniczenia dla bezpiecznej pracy na pochyłościach zawarte są w instrukcji obsługi wyposażenia.

Części zamienne – model: 210000	
Części zamienne	Numer części
Papierowy filtr powietrza (zob. rys. 13)	796032
Filtr wstępny powietrza, piankowy (zob. rys. 13)	798911
Papierowy filtr powietrza (zob. rys. 12)	698413, 5079
Filtr wstępny powietrza, piankowy (zob. rys. 12)	697292, 5079
Olej – SAE 30 (20 oz, 0,6 l)	100005
Olej – SAE 30 (48 oz, 1,4 l)	100028
Filtr oleju	492932
Uszlachetniacz i stabilizator paliwa o zaawansowanej formule	100117, 100120
Filtr paliwa – silnik bez pompy paliwa	394358, 5098
Filtr paliwa – silnik z pompą paliwa	691035, 5065
Świeca zapłonowa z rezystorem	491055

Części zamienne – model: 210000

Świeca zapłonowa o długiej żywotności z elektrodą platynową	5066
Klucz do świecy zapłonowej	89838, 5023
Tester iskry	19368

Części zamienne – model: 310000

Części zamienne	Numer części
Papierowy filtr powietrza (zob. rys. 13)	796031
Filtr wstępny powietrza, piankowy (zob. rys. 13)	797704
Papierowy filtr powietrza (zob. rys. 12)	698083, 5077
Filtr wstępny powietrza, piankowy (zob. rys. 12)	697015, 5077
Filtr powietrza, płaski, zmywalny	697153, 5078
Olej – SAE 30 (20 oz, 0,6 l)	100005
Olej – SAE 30 (48 oz, 1,4 l)	100028
Filtr oleju, standardowy – czarny	492932
Filtr oleju, wysokowydajny – żółty	795890
Filtr oleju, wysokowydajny – pomarańczowy	798576
Uszlachetniacz i stabilizator paliwa o zaawansowanej formule	100117, 100120
Filtr paliwa – silnik bez pompy paliwa	394358, 5098
Filtr paliwa – silnik z pompą paliwa	691035, 6065
Świeca zapłonowa z rezystorem	491055
Świeca zapłonowa o długiej żywotności z elektrodą platynową	5066
Klucz do świecy zapłonowej	89838, 5023
Tester iskry	19368

Zalecamy skontaktowanie się z autoryzowanym punktem serwisowym Briggs & Stratton w kwestiach konserwacji i napraw silnika i części silnika.

Moc znamionowa: Maksymalna moc znamionowa poszczególnych modeli silników benzynowych jest podawana zgodnie z przepisami J1940 (Small Engine Power & Torque Rating Procedure, Procedura oznaczania wartości znamionowej mocy i momentu obrotowego dla małych silników) ustalonymi przez stowarzyszenie SAE (Society of Automotive Engineers), a otrzymana moc znamionowa została uzyskana zgodnie z wymaganiami normy SAE J1995. Wartości momentu obrotowego zostały określone przy prędkości obrotowej 2600 obr./min w przypadku tych silników, które mają oznaczenie „rpm” (obr./min) podane na tabliczce znamionowej, oraz przy prędkości obrotowej 3060 obr./min w przypadku wszystkich pozostałych silników. Wartości mocy wyrażanej w koniach mechanicznych zostały obliczone przy prędkości obrotowej 3600 obr./min. Z krzywymi mocy maksymalnej można zapoznać się na stronie www.BRIGGSandSTRATTON.COM. Wartości mocy netto uzyskano podczas pomiaru z zainstalowanym wydechem i filtrem powietrza, podczas gdy maksymalne wartości mocy silnika uzyskano bez tych elementów. Rzeczywista maksymalna moc silnika będzie wyższa od wartości mocy netto silnika i będą mieć na to wpływ, między innymi, zewnętrzne warunki eksploatacji oraz różnice jednostkowe pomiędzy poszczególnymi silnikami. Przy tak szerokim asortymencie produktów, w których silniki są montowane, w konkretnym urządzeniu silnik benzynowy może nie uzyskać maksymalnej mocy znamionowej. Takie zróżnicowanie jest skutkiem działania wielu czynników, w tym między innymi elementów silnika (filtr powietrza, wydech, poziom naładowania akumulatora, chłodzenie, gaźnik, pompa paliwowa itd.), ograniczeń dotyczących stosowania, zewnętrznych warunków eksploatacji (temperatura, wilgotność, wysokość) oraz indywidualnych różnic pomiędzy silnikami. Z uwagi na ograniczenia produkcyjne i pojemnościowe firma Briggs & Stratton może zastępować silniki tej serii silnikami o wyższej mocy znamionowej.

Gwarancja

Gwarancja na silnik Briggs & Stratton

Obowiązuje od stycznia 2017 r.

Ograniczona gwarancja

Briggs & Stratton gwarantuje, że we wskazanym poniżej okresie gwarancji dokona nieodpłatnej naprawy lub wymiany dowolnej części obciążonej wadami materiałowymi, wadami wykonania lub obydwojoma rodzajami wad. Koszty transportu produktów dostarczanych do naprawy lub wymiany w ramach niniejszej Gwarancji ponosi nabywca. Gwarancja jest ważna przez okres podany poniżej i podlega warunkom określonym poniżej. Obsługę serwisową należy wykonywać w autoryzowanym punkcie serwisowym, który można znaleźć w witrynie internetowej BRIGGSandSTRATTON.COM. Nabywca musi zwrócić się do autoryzowanego punktu serwisowego, a następnie udostępnić mu produkt do kontroli i sprawdzenia.

Nie udziela się innej wyraźnej gwarancji. Gwarancje domniemane, w tym między innymi gwarancja wartości handlowej lub przydatności do konkretnego celu są ważne przez okres podany poniżej lub przez okres, na jaki pozwala prawo.

Odpowiedzialność z tytułu szkód ubocznych lub wynikowych są wykluczone w zakresie dopuszczalnym przez prawo. Niektóre stany lub kraje mogą nie zezwalać na ograniczenie okresu odpowiedzialności za szkody uboczne lub następne, a niektóre stany lub kraje nie zezwalają na wykluczenia lub ograniczenie odpowiedzialności za szkody uboczne lub następne, w związku z tym powyższe ograniczenie i wykluczenie mogą nie dotyczyć niektórych użytkowników. Gwarancja ta zapewnia Państwu określone ustawowe prawa oprócz innych praw obowiązujących w różnych krajach lub stanach.⁴

Standardowe warunki gwarancyjne 1, 2, 3

Marka/nazwa produktu	Do użytku konsumenta	Zastosowanie komercyjne
Vanguard™; seria komercyjna	36 miesięcy	36 miesięcy
Silniki wyposażone w tuleje żeliwne Dura-Bore™	24 miesiące	12 miesięcy
Inne silniki	24 miesiące	3 miesiące

¹Są to nasze standardowe warunki gwarancji, jednak w niektórych przypadkach zakres gwarancji może być rozszerzony, co nie zostało określone w momencie publikacji. Lista aktualnych warunków gwarancji dla danego silnika znajduje się na stronie BRIGGSandSTRATTON.com lub można ją uzyskać w autoryzowanym punkcie serwisowym firmy Briggs & Stratton.

²Silniki stosowane w sprzęcie używanym do wytwarzania mocy pierwotnej zamiast do celu użytkowego oraz w generatorach zapasowych używanych dla celów komercyjnych nie są objęte gwarancją. Silniki stosowane w wyciągach lub na torach komercyjnych, albo dzierżawionych nie podlegają gwarancji.

³Silniki Vanguard wykorzystywane w generatorach awaryjnych: zastosowanie konsumenckie: 24 miesiące, zastosowanie komercyjne: brak gwarancji. Silniki Vanguard wykorzystywane w pojazdach użytkowych: zastosowanie konsumenckie: 24 miesiące, zastosowanie komercyjne: 24 miesiące. Seria komercyjna z datą produkcji przed lipcem 2017: 24 miesiące w zastosowaniach konsumenckich, 24 miesiące w zastosowaniach komercyjnych.

⁴W Australii nasze produkty są objęte gwarancjami, których zgodnie z australijskim prawem konsumenckim nie można wyłączyć. Użytkownikowi przysługuje wymiana urządzenia lub zwrot pieniędzy w razie poważnej awarii oraz odszkodowanie z tytułu wszelkich innych dostatecznie przewidywalnych strat i szkód. Użytkownikowi przysługuje również prawo do naprawy lub wymiany towaru, jeśli jakość towaru jest nieakceptowalna, a jego awaria nie kwalifikuje się jako poważna. Aby skorzystać z obsługi gwarancyjnej, należy wyszukać najbliższy autoryzowany punkt serwisowy na mapie dostępnej w witrynie BRIGGSandSTRATTON.com, zadzwonić na numer 1300 274 447 lub przesłać wiadomość e-mail bądź list na adres odpowiednio salesenquires@briggsandstratton.com.au lub Briggs & Stratton Australia Pty Ltd, 1 Moorebank Avenue, Moorebank, NSW, Australia, 2170.

Okres obowiązywania gwarancji liczony jest od pierwszej daty zakupu dokonanego przez pierwszego nabywcę detalicznego lub komercyjnego. „Zastosowanie konsumenckie” oznacza użytkowanie we własnym gospodarstwie domowym konsumenta. „Zastosowanie komercyjne” oznacza wszystkich innych użytkowników wykorzystujących urządzenie do celów komercyjnych, zarobkowych i pod wynajem. Jeżeli silnik był choć raz stosowany w celach komercyjnych, to w rozumieniu tej gwarancji traktowany będzie jako silnik o zastosowaniu komercyjnym.

Zachować dowód zakupu. Jeśli w czasie wystąpienia o obsługę gwarancyjną użytkownik nie przedstawi dowodu zakupu, okres obowiązywania gwarancji zostanie ustalony na podstawie daty wyprodukowania urządzenia. Rejestracja produktu nie jest wymagana do uzyskania gwarancji na produkty marki Briggs & Stratton.

Informacja o gwarancji

Gwarancja obejmuje wyłącznie wady materiałowe i/lub produkcyjne silnika, natomiast nie dotyczy ona wymiany lub zwrotu kosztów sprzętu, w którym zamontowano silnik. Konserwacja okresowa, dostrajanie, regulacje lub normalne zużycie nie są objęte gwarancją. Podobnie, gwarancja nie ma zastosowania, gdy silnik został zmieniony lub zmodyfikowany bądź numer seryjny silnika jest nieczytelny lub został usunięty. Niniejsza gwarancja nie obejmuje uszkodzenia silnika lub problemów jego z działaniem spowodowanych przez:

1. Użycie części, które nie są oryginalnymi częściami firmy Briggs & Stratton;
2. Eksploatację silnika z olejem smarowym w niedostatecznej ilości, zanieczyszczonym lub niewłaściwego gatunku;
3. Użycie paliwa zanieczyszczonego lub przestarzałego, benzyny zawierającej więcej niż 10% etanolu lub użycie paliw alternatywnych, takich jak płynna ropa naftowa lub gaz ziemny w silnikach, które nie zostały oryginalnie zaprojektowane/wyprodukowane przez firmę Briggs & Stratton do zasilania takimi paliwami;
4. Zanieczyszczenia, które przedostały się do silnika z powodu niewłaściwej konserwacji lub niewłaściwego ponownego montażu filtra powietrza;
5. Uderzenie obiektu przez nóż kosiarki obrotowej, luźny lub niewłaściwie zamontowany adapter noża, wirniki lub inne elementy sprzężone z wałem korbowym lub nadmierne napięcie pasa klinowego;
6. Współpracujące części lub zespoły, takie jak sprzęgła, przekładnie, elementy obsługi sprzętu itp. niebędące produktem firmy Briggs & Stratton;

7. Przegrzanie spowodowane przez ścinki trawy, brud i resztki lub gniazda gryzoni, które zatykają lub zapychają obszary żeberek chłodzących lub koła zamachowego lub przez pracę silnika bez dostatecznej wentylacji;
8. Nadmierne drgania spowodowane nadmierną prędkością, luźnymi zamocowaniami silnika, luźnymi lub niewyważonymi nożami lub wirnikami lub nieprawidłowym sprzęgnięciem komponentów wyposażenia z wałem korbowym;
9. Niewłaściwym użyciem, brakiem okresowej konserwacji, niewłaściwym transportem, obsługą lub składowaniem wyposażenia lub niewłaściwą instalacją silnika.

Obsługę gwarancyjną zapewniają wyłącznie autoryzowane serwisy firmy Briggs & Stratton. W celu uzyskania usługi gwarancyjnej należy skontaktować się z najbliższym autoryzowanym punktem serwisowym znalezionym na mapie dostępnej w witrynie BRIGGSandSTRATTON.COM lub zadzwonić pod numer 1-800-233-3723 (w USA).

80004537 Rev C

Not for
Reproduction

Acest manual conține informații privind siguranța, care vă avertizează cu privire la pericolele și riscurile asociate motoarelor și vă informează despre modul în care le puteți evita. De asemenea, conține instrucțiuni privind utilizarea și întreținerea corectă a motorului. Deoarece Briggs & Stratton Corporation nu știe cu siguranță ce echipament va fi acționat de acest motor, este important să citiți și să înțelegeți aceste instrucțiuni, precum și cele referitoare la echipamentul care va fi acționat de acest motor. **Păstrați aceste instrucțiuni originale pentru consultări ulterioare.**

Notă: Figurile, ilustrațiile și simbolurile din acest manual sunt doar pentru referință și pot fi diferite față de modelul dvs. Contactați dealerul dacă aveți întrebări.

Pentru a obține piese de schimb sau asistență tehnică, notați mai jos modelul, tipul și codul motorului împreună cu data achiziției. Aceste numere sunt amplasate pe motor (consultați secțiunea **Caracteristici și comenzi**).

Data achiziției	
Model motor - Tip - Echipare	
Număr de serie motor	

Căutați codul de bare 2D amplasat pe unele motoare. Vizualizat cu un dispozitiv compatibil 2D, codul va afișa site-ul nostru web, pe care puteți să accesați informații de asistență privind acest produs. Se aplică tarife de date. Este posibil ca unele țări să nu beneficieze de informații de asistență online.



Informații privind reciclarea



Toate ambalajele, uleiul uzat și acumulatorii trebuie reciclați în conformitate cu reglementările aplicabile ale autorităților.

Siguranța operatorului

Simbol de alertă privind siguranța și cuvinte semnal

Simbolul de alertă privind siguranța este folosit pentru identificarea informațiilor referitoare la pericole care pot provoca vătămări corporale. Un cuvânt de avertizare (PERICOL, AVERTISMENT sau ATENȚIE) însoțește simbolul de alertă pentru a desemna probabilitatea și gravitatea potențialei vătămări. În plus, se poate folosi un simbol de pericol pentru a indica tipul pericolului.

PERICOL indică un pericol care, dacă nu este evitat, **se va solda cu moartea sau cu accidentarea gravă.**

AVERTISMENT indică un pericol care, dacă nu este evitat, **se poate solda cu moartea sau cu accidentarea gravă.**

ATENȚIE indică un pericol care, dacă nu este evitat, **se poate solda cu vătămări corporale minore sau moderate.**

NOTIFICARE indică o situație care ar **putea duce la deteriorarea produsului.**

Simboluri de pericol și semnificația acestora

Simbol	Semnificație	Simbol	Semnificație
	Informații privind pericole care pot provoca vătămări corporale.		Citiți și înțelegeți manualul de utilizare înainte de a utiliza sau servisa echipamentul.
	Pericol de incendiu		Pericol de explozie
	Pericol de șoc		Pericol de gaze toxice
	Pericol de suprafețe fierbinți		Pericol de zgomot - se recomandă folosirea de căști antifonice la utilizarea îndelungată.
	Pericol de aruncare a obiectelor - folosiți ochelari de protecție.		Pericol de explozie
	Pericol de degerare		Pericol de recul
	Pericol de amputare - piese în mișcare		Pericol chimic
	Pericol de arsuri termice		Coroziv

Mesaje de siguranță



AVERTISMENT

Anumite componente ale acestui produs și ale accesoriilor asociate conțin substanțe chimice care sunt cunoscute în statul California drept cauzatoare de cancer, malformații congenitale sau alte disfuncții reproductive. Spălați-vă pe mâini după utilizare.



AVERTISMENT

Gazele de eșapament de la acest motor conțin substanțe chimice care sunt cunoscute în statul California drept cauzatoare de cancer, malformații congenitale sau alte disfuncții reproductive.



AVERTISMENT

Motoarele Briggs & Stratton nu sunt proiectate și nu trebuie folosite pentru motorizarea: karturilor recreative, vehiculelor de teren (ATV-uri) pentru copii, recreative sau sportive; motocicletelor; vehiculelor pe pernă de aer; produselor aeronautice; sau vehiculelor folosite în competiții care nu sunt aprobate de Briggs & Stratton. Pentru informații despre produsele destinate competițiilor, consultați www.briggsracing.com. Pentru utilizarea cu ATV-uri utilizate și de tip side-by-side, contactați Briggs & Stratton Engine Application Center, 1-866-927-3349. Folosirea motorului în scopuri improprie poate provoca rănirea gravă sau moartea.



AVERTISMENT



Combustibilul și vaporii săi sunt foarte inflamabili și explozivi.

Incendiul sau explozia pot cauza arsuri grave sau deces.

Atunci când adăugați combustibil

- Opriți motorul și lăsați-l să se răcească timp de cel puțin 2 minute înainte de a scoate bușonul rezervorului de combustibil.
- Umpleți rezervorul de combustibil în aer liber sau în zone bine ventilate.
- Nu umpleți în exces rezervorul de combustibil. Pentru a permite expansiunea combustibilului, nu umpleți deasupra părții inferioare a gulerului rezervorului de combustibil.
- Păstrați combustibilul la distanță față de scânteii, flăcări deschise, flăcări de veghe, căldură și alte surse de aprindere.
- Verificați frecvent liniile de alimentare cu combustibil, rezervorul, bușonul și accesoriile pentru detectarea fisurilor sau scurgerilor. Înlocuiți dacă este necesar.
- În cazul în care se varsă combustibil, așteptați până la evaporarea acestuia înainte de a porni motorul.

Când porniți motorul

- Asigurați-vă că bujia incandescentă, toba de eșapament, bușonul rezervorului de combustibil și filtrul de aer (dacă este prevăzut) sunt montate și fixate.
- Nu porniți motorul cu bujia scoasă.
- Dacă motorul se „îneacă”, setați șocul (dacă este prevăzut) în poziția OPEN/RUN (deschidere/funcționare), deplasați accelerația (dacă este prevăzută) în poziția FAST (rapid) și acționați manivela până la pornirea motorului.

Când utilizați echipamentul

- Nu înclinați motorul sau echipamentul la un unghi care cauzează vărsarea combustibilului.
- Nu înecați carburatorul pentru a opri motorul.
- Nu porniți și nu lăsați motorul să funcționeze fără ansamblu de filtrare (dacă este prevăzut) sau filtru de aer (dacă este prevăzut).

La schimbarea uleiului

- Dacă scurgeți uleiul prin tubul superior de alimentare cu ulei, rezervorul de combustibil trebuie să fie gol, în caz contrar combustibilul se poate scurge, provocând un incendiu sau o explozie.

Dacă înclinați utilajul pentru întreținere

- Dacă efectuați operațiuni de întreținere care necesită înclinarea utilajului, rezervorul de combustibil trebuie să fie gol. În caz contrar, combustibilul se poate scurge, provocând un incendiu sau o explozie.

Când transportați echipamentul

- Transportați-l cu rezervorul de combustibil GOL sau cu robinetul de oprire a combustibilului ÎNCHIS.

Atunci când depozitați combustibil sau echipamentul cu combustibil în rezervor

- Depozitați-le la distanță de cuptoare, sobe, boilere sau alte echipamente care au flăcără de veghe sau altă sursă de aprindere, deoarece acestea ar putea aprinde vaporii de combustibil.



AVERTISMENT

Pornirea motorului creează scânteii.

Scânteile pot aprinde gazele inflamabile din vecinătate.

Consecința poate fi o explozie sau un incendiu.

- Dacă există o scurgere de gaze naturale sau de petrol lichefiat în zonă, nu porniți motorul.
- Nu utilizați fluide de aprindere sub presiune deoarece vaporii sunt inflamabili.



AVERTISMENT

PERICOL DE GAZE OTRĂVITOARE. Gazele de eșapament conțin monoxid de carbon, un gaz otrăvitor care vă poate ucide în câteva minute. **NU îl puteți vedea, mirosi sau gusta.** Chiar dacă nu simțiți miros de gaze de eșapament, este posibil să fiți expus(ă) la monoxid de carbon. **Dacă începeți să aveți grețuri, să vă simțiți amețit(ă) sau slăbit(ă) în timp ce utilizați acest produs, ieșiți IMEDIAT la aer curat. Mergeți la medic. Este posibil să fiți intoxicat(ă) cu monoxid de carbon.**

- Utilizați acest produs NUMAI în exterior la distanță mare față de ferestre, uși și orificii de ventilație, pentru a reduce riscul ca monoxidul de carbon gazos să se acumuleze și să fie potențial atras spre spațiile ocupate.
- Montați alarme de monoxid de carbon care funcționează cu baterii sau alarme de monoxid de carbon conectate la rețeaua electrică având și baterii de rezervă în conformitate cu instrucțiunile producătorului. Alarmerile de fum nu pot detecta monoxidul de carbon.

- NU folosiți acest produs în locuințe, garajuri, pivnițe, spații înguste, șoproane sau alte spații închise parțial, chiar dacă folosiți ventilatoare sau deschideți uși și ferestre pentru ventilare. Monoxidul de carbon se poate acumula rapid în aceste spații și poate să persiste mai multe ore, chiar și după oprirea acestui produs.
- Amplasați ÎNTOTDEAUNA acest produs pe direcția vântului și orientați toba de eșapament în sens opus față de spațiile locuite.



AVERTISMENT

Retragerea rapidă a corzii demarorului (reculul) vă va trage brațul și mâna către motor mai repede decât puteți să îi dați drumul.

Aceasta poate provoca ruperea oaselor, fracturi, zgârieturi sau luxații.

- La pornirea motorului, trageți lent coarda până simțiți rezistență, și apoi trageți rapid pentru a evita reculul.
- Îndepărtați toate echipamentele externe/sarcinile motorului înainte de a porni motorul.
- Componentele echipamentului cuplate direct, cum ar fi, fără limitare, lamele, paetele, roțile de transmisie, roțile de lanț etc., trebuie să fie bine fixate.



AVERTISMENT

Părțile care se rotesc pot intra în contact cu sau pot prinde mâinile, picioarele, părul, îmbrăcămintea sau accesoriile.

Astfel se pot produce amputări traumatice sau tăieturi grave.

- Utilizați echipamentul cu apărătorii montate.
- Țineți mâinile și picioarele la distanță de piesele în mișcare.
- Legați părul lung și scoateți bijuteriile.
- Nu purtați haine largi, șnururi care atârnă sau articole care ar putea fi agățate.



AVERTISMENT

Funcționarea motorului produce căldură. Piesele motorului, în special toba de eșapament, se încălzesc foarte mult.

Se pot produce arsuri termice severe la contactul cu acestea.

Reziduurile inflamabile, precum frunzele, iarba, arborețul etc. se pot aprinde.

- Lăsați toba de eșapament, cilindrul motorului și nervurile să se răcească înainte de a le atinge.
- Îndepărtați materialele inflamabile acumulate în zona tobei de eșapament și a cilindrului.
- Conform California Public Resource Code, secțiunea 4442, este interzisă utilizarea motorului în zone cu păduri, tușuri sau iarbă fără ca sistemul de evacuare să fie dotat cu un paravan de scânteii, așa cum se definește în secțiunea 4442, aflat în bună stare de funcționare. Alte state sau jurisdicții federale ar putea avea o legislație similară. Contactați producătorul echipamentului original, comerciantul cu amănuntul sau dealerul pentru a obține un paravan de scânteii proiectat pentru sistemul de evacuare montat pe acest motor.



AVERTISMENT

Producerea accidentală de scânteii poate provoca incendii sau electrocutare.

Pornirea accidentală se poate solda cu agățare, amputare traumatică sau tăieturi.

Pericol de incendiu

Înainte de a efectua reglaje sau reparații:

- Deconectați cablul bujiei și țineți-l la distanță de bujie.
- Deconectați borna negativă a bateriei (numai la motoarele cu sistem de aprindere electrică).
- Utilizați numai unelte adecvate.
- Nu efectuați intervenții asupra regulatorului cu arc, asupra lanțurilor cinematice sau asupra altor componente pentru a obține o turație mai mare a motorului.
- Piesele de schimb trebuie să fie identice și montate în aceeași poziție cu piesele originale. Este posibil ca alte piese să nu funcționeze la fel de bine, să deterioreze aparatul sau să provoace vătămări corporale.
- Nu loviți volanta cu ciocanul sau cu obiecte grele. În caz contrar, volanta se poate dezmembra în timpul funcționării.

La testarea bujiei:

- Utilizați dispozitivul de testare aprobat pentru bujii incandescente.
- Nu verificați dacă există scânteele atunci când bujia este demontată.










Caracteristici și comenzi

Comenzile motorului

Comparați ilustrația (Figura: 1, 2, 3) cu motorul dvs. pentru a vă familiariza cu amplasarea diverselor caracteristici și comenzi.

- A. Identificarea motorului **Model - Tip - Cod**
- B. Bujie
- C. Filtrul de aer
- D. Coardă de pornire (dacă este prevăzută)
- E. Jojă de ulei
- F. Bușon de scurgere a uleiului
- G. Tobă de eșapament, apărătoare tobă de eșapament (dacă este prevăzută), dispozitiv parascântei (dacă este prevăzută)
- H. Grilă intrare aer
- I. Grilă intrare aer
- J. Filtru de ulei (dacă este prevăzută)
- K. Demaror electric (dacă este prevăzută)
- L. Carburator
- M. Filtru de combustibil (dacă este prevăzută)
- N. Pompă de combustibil (dacă este prevăzută)
- O. Sistem de golire rapidă a uleiului (dacă este prevăzută)
- P. Unitate electrică de control (ECU) (dacă este prevăzută)

Simbolurile comenzilor motorului și explicația acestora

Simbol	Semnificație	Simbol	Semnificație
	Turație motor - RAPID		Turație motor - LENT
	Turație motor - OPRIT		PORNIT - OPRIT
	Pornire motor - Șoc ÎNCHIS		Pornire motor - Șoc DESCHIS
	Bușon rezervor Robinet de închidere a combustibilului - DESCHIS		Robinet de închidere a combustibilului - ÎNCHIS
	Nivel combustibil - Maxim Nu alimentați în exces		

Utilizare

Recomandări referitoare la ulei

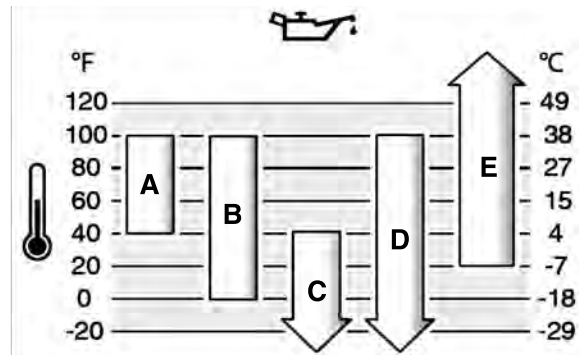
Capacitate ulei: Consultați **Specificații** Adăugarea uleiului.

NOTIFICARE

Acest motor este livrat de către Briggs & Stratton fără ulei. Se poate ca producătorii sau distribuitorii echipamentului să fi adăuat ulei la motor. Înainte de a porni motorul pentru prima oară, asigurați-vă că ați verificat nivelul uleiului și ați adăugat ulei conform instrucțiunilor din acest manual. Dacă porniți motorul fără ulei, acesta se va defecta ireparabil și nu va beneficia de garanție.

Pentru cea mai bună performanță vă recomandăm uleiurile certificate și garantate de la Briggs & Stratton. Alte uleiuri de calitate ridicată cu rol de curățare sunt acceptate dacă sunt clasificate pentru servicii SF, SG, SH, SJ sau clase superioare. Nu folosiți aditivi speciali.

Temperaturile din exterior determină viscozitatea corespunzătoare a uleiului pentru motor. Folosiți tabelul pentru a selecta cea mai bună viscozitate pentru prognoza intervalului de temperatură din exterior. Motoarele de la majoritatea echipamentelor electrice de exterior funcționează bine cu ulei 5W-30 Synthetic. Pentru echipamentele ce funcționează la temperaturi ridicate, uleiul Vanguard™ 15W-50 Synthetic oferă cea mai bună protecție.



A	SAE 30 - Sub 40 °F (4 °C), utilizarea SAE 30 va avea ca rezultat o pornire grea.
B	10W-30 - Peste 80°F (27°C), utilizarea de 10W-30 poate cauza creșterea consumului de ulei. Verificați nivelul uleiului mai frecvent.
C	5W-30
D	Synthetic 5W-30
E	Vanguard™ Synthetic 15W-50

Verificarea nivelului de ulei

Vezi Figura: 4

Înainte de a adăuga sau de a verifica nivelul uleiului

- Asigurați-vă că motorul este orizontal.
- Curățați zona orificiului de alimentare cu ulei de orice fel de reziduuri.

1. Scoateți joja (A, Figura 4) și ștergeți-o cu o cârpă curată.
2. Montați și strângeți joja (A, Figura 4).
3. Scoateți joja și verificați nivelul uleiului. Nivelul corect al uleiului este în partea superioară a indicatorului de umplere (B, Figura 4) de pe jojă.
4. Dacă nivelul uleiului este scăzut, turnați lent ulei în orificiul de alimentare cu ulei (C, Figura 4). **Nu alimentați în exces.** După adăugarea uleiului, așteptați un minut, apoi verificați din nou nivelul uleiului.

Notă: Nu adăugați ulei prin sistemul de scurgere rapidă a uleiului, dacă este prevăzută. Pentru amplasare, vezi **Caracteristici și comenzi**.

5. Montați la loc și strângeți joja (A, Figura 4).

Sistem de protecție împotriva nivelului scăzut al uleiului (dacă este prevăzută)

Unele motoare sunt echipate cu un senzor de nivel scăzut al uleiului. Dacă nivelul uleiului este scăzut, senzorul va activa o lampă de avertizare sau va opri motorul. Opriti motorul și urmați aceste etape înainte de a reporni motorul.

- Asigurați-vă că motorul este orizontal.
- Verificați nivelul uleiului Consultați secțiunea **Verificarea nivelului uleiului**.
- Dacă nivelul uleiului este scăzut, adăugați cantitatea corespunzătoare de ulei. Porniți motorul și asigurați-vă că lampa de avertizare (dacă este prevăzută) nu se aprinde.
- Dacă nivelul uleiului nu este scăzut, nu porniți motorul. Contactați un dealer cu servicii autorizate Briggs & Stratton pentru a remedia problema cu uleiul.

Recomandări privind combustibilul

Combustibilul trebuie să îndeplinească următoarele cerințe:

- Benzină fără plumb, curată, proaspătă.
- Cifra octanică minim 87/87 AKI (91 RON). Utilizare la altitudine mare; consultați mai jos.
- Este permisă utilizarea benzinei cu până la 10% etanol (gasolhol).

NOTIFICARE Nu utilizați tipuri neaprobate de benzină, cum ar fi E15 și E85. Nu amestecați ulei în benzină și nu modificați motorul pentru a funcționa pe combustibili alternativi. Utilizarea unor combustibili neapropați va avaria componentele motorului, care nu vor beneficia de garanție.

Pentru a proteja sistemul de combustibil împotriva formării gumei, amestecați un stabilizator în combustibil. Consultați secțiunea **Depozitare**. Nu toți combustibilii sunt identici. Dacă survin probleme de pornire sau de performanță, schimbați furnizorii de combustibil sau schimbați marca. Acest motor este certificat pentru funcționarea pe benzină. Sistemul de control al emisiilor de pe acest motor este EM (Modificări Motor).

Altitudine ridicată

La altitudini peste 5.000 picioare (1.524 m), se acceptă benzină cu cifră minimă de 85 octani/85 AKI (89 RON).

În cazul motoarelor cu carburator, pentru menținerea performanțelor este necesară reglarea pentru altitudine înaltă. Utilizarea fără aceste reglaje va conduce la scăderea performanțelor, la sporirea consumului de combustibil și la intensificarea emisiilor. Pentru informații referitoare la reglarea pentru înaltă altitudine, consultați un dealer autorizat Briggs & Stratton. Nu se recomandă utilizarea motorului la altitudini sub 2.500 picioare (762 m) cu reglajele pentru altitudini mari.

Pentru motoarele cu injecție electronică a combustibilului (EFI), nu este necesară reglarea pentru altitudine ridicată.

Adăugarea carburantului

Vezi Figura 5



AVERTISMENT

Combustibilul și vaporii săi sunt foarte inflamabili și explozivi.

Incendiul sau explozia se pot solda cu arsuri severe sau cu moartea.

Când alimentați cu combustibil

- Opriti motorul și lăsați-l să se răcească cel puțin 2 minute înainte de a scoate bușonul rezervorului de benzină.
 - Umpleți rezervorul de benzină în spațiul exterior (în aer liber) sau în spații bine ventilate.
 - NU supraumpleți rezervorul de benzină. Pentru a ține seama de dilatarea carburantului, nu umpleți peste partea de jos a gâtului rezervorului (C) de benzină.
 - Țineți benzina la distanță de scântei, flăcări deschise, arzătoare pilot („flacăra de veghe”), căldură sau alte surse de aprindere.
 - Verificați frecvent furtunurile/conductele de benzină, rezervorul, bușonul și fittingurile dacă prezintă fisuri sau scurgeri. Înlocuiți-le dacă este necesar.
 - Dacă au loc scurgeri de benzină, așteptați până când acestea se evaporă și numai după aceea porniți motorul.
1. Curățați de orice fel de depuneri/reziduuri zona bușonului rezervorului de benzină. Demontați rezervorul de combustibil.
 2. Alimentați rezervorul de combustibil (A, Figura 5) cu combustibil. Pentru a permite dilatarea carburantului, nu umpleți peste partea de jos a gâtului rezervorului (B) de combustibil.
 3. Montați la loc bușonul de combustibil.

Pornirea și oprirea motorului

Vezi Figura: 6

Pornirea motorului



AVERTISMENT

Retragerea rapidă a corzii demarorului (reculul) vă va trage brațul și mâna înspre motor mai repede decât îi puteți da dvs. drumul.

Pot rezulta oase rupte/fracturi, vânătăi sau luxații.

- La pornirea motorului, trageți încet coarda de pornire până când simțiți o rezistență, iar apoi trageți brusc pentru a evita reculul.



AVERTISMENT

Combustibilul și vaporii săi sunt foarte inflamabili și explozivi.

Incendiul sau explozia se pot solda cu arsuri grave sau cu moartea.

Când porniți motorul

- Asigurați-vă că bujia, toba de eșapament, bușonul rezervorului de benzină și filtrul de aer (dacă este prevăzut) sunt la locul lor și sunt bine fixate.
- Nu porniți motorul cu bujia scoasă.
- Dacă motorul s-a înecat, puneți șocul (dacă este prevăzut) în poziția DESCHIS / FUNCȚIONARE, mutați maneta de accelerație (dacă este prevăzută) în poziția RAPID și acționați până când motorul pornește.



AVERTISMENT

PERICOL DE GAZE OTRĂVITOARE. Gazele de eșapament conțin monoxid de carbon, un gaz otrăvitor care vă poate ucide în câteva minute. NU îl puteți vedea, mirosi sau gusta. Chiar dacă nu simțiți miros de gaze de eșapament, este posibil să fiți expus(ă) la monoxid de carbon. Dacă începeți să aveți grețuri, amețeli sau să vă simțiți slăbit(ă) în timp ce folosiți acest produs, ieșiți IMEDIAT la aer curat. Apelați la un doctor. Este posibil să fiți intoxicat(ă) cu monoxid de carbon.

- Folosiți acest produs NUMAI în aer liber, la distanță de ferestre, uși și orificii de ventilare, pentru a reduce pericolul de acumulare a monoxidului de carbon și de intrare a acestuia în spații locuite.
- Montați alarme de monoxid de carbon care funcționează cu baterii sau conectate la priză cu baterii de rezervă în conformitate cu instrucțiunile producătorului. Alaramele de fum nu pot să detecteze monoxidul de carbon.
- NU folosiți acest produs în locuințe, garaje, pivnițe, spații înguste, șoproane sau alte spații închise parțial, chiar dacă folosiți ventilatoare sau deschideți uși și ferestre pentru ventilare. Monoxidul de carbon se poate acumula rapid în aceste spații și poate să persiste mai multe ore, chiar și după oprirea acestui produs.
- Amplasați ÎNTOTDEAUNA acest produs pe direcția vântului și orientați toba de eșapament în sens opus față de spațiile locuite.

NOTIFICARE Acest motor este livrat de către Briggs & Stratton fără ulei. Înainte de a porni motorul, asigurați-vă că ați adăugat ulei conform instrucțiunilor din acest manual. Dacă porniți motorul fără ulei, acesta se va defecta ireparabil și nu va beneficia de garanție.

Identificarea sistemului de pornire

Înainte de pornirea motorului, trebuie să identificați sistemul de pornire a motorului. Motorul va fi echipat cu unul din următoarele sisteme.

- **Sistem ReadyStart®:** Acest sistem oferă un șoc automat, controlat de temperatură. Acest tip de sistem nu este prevăzut cu buton de amorsare.
- **Sistem electronic de gestionare a combustibilului:** Este echipat cu o unitate de control electronică (ECU) care monitorizează motorul și temperatura. Acest model nu este echipat cu un șoc sau un sistem de amorsare manual.
- **Sistemul cu șoc:** acesta este echipat cu un șoc pentru pornirea la temperaturi joase. Unele modele sunt prevăzute cu o manetă separată de șoc, în timp ce altele au o manetă combinată șoc / accelerație. Acest tip de sistem nu este prevăzut cu buton de amorsare.

Pentru a porni motorul, urmați instrucțiunile referitoare la sistemul dvs. de pornire.

Notă: Unele echipamente sunt dotate cu sisteme de control de la distanță. Consultați manualul echipamentului pentru instrucțiuni despre amplasarea și utilizarea comenzilor de la distanță.

Sistem ReadyStart®

1. Verificați nivelul uleiului din motor. Consultați secțiunea **Verificarea nivelului uleiului**.
2. Asigurați-vă că comenzile de deplasare ale echipamentului, dacă sunt prevăzute, nu sunt activate.
3. Deplasați robinetul de închidere a combustibilului (A, Figura 6), dacă este prevăzut, în poziția DESCHIS.
4. Deplasați maneta de accelerație (B, Figura 6), dacă este prevăzută, în poziția RAPID. Utilizați motorul în poziția RAPID.

Notă: Pentru pornirea la temperaturi scăzute (sub 32° F), deplasați maneta combinată șoc / accelerație (B C, Figura 6) în poziția ȘOC.

5. **Contact cu cheie, dacă este prevăzut:** Rotiți contactul cu cheie (D, Figura 6) în poziția PORNIT / START.

Buton Pornit / Oprit, dacă este prevăzut: Apăsăți butonul Pornit / Oprit (F, Figura 6).

NOTIFICARE Pentru a prelungi durata de funcționare a demarorului, utilizați cicluri scurte de pornire (maxim cinci secunde). Așteptați un minut între ciclurile de pornire.

Notă: Dacă motorul nu pornește după mai multe încercări, contactați dealerul local, accesați **BRIGGSandSTRATTON.com** sau apelați **1-800-233-3723** (în SUA).

Sistem electronic de gestionare a combustibilului

1. Verificați nivelul uleiului din motor. Consultați secțiunea **Verificarea nivelului uleiului**.
2. Asigurați-vă că comenzile de deplasare ale echipamentului, dacă sunt prevăzute, nu sunt activate.
3. Deplasați robinetul de închidere a combustibilului (A, Figura 6), dacă este prevăzut, în poziția DESCHIS.
4. Deplasați maneta de accelerație (B, Figura 6), dacă este prevăzută, în poziția RAPID. Utilizați motorul în poziția RAPID.
5. **Demaror cu arc, dacă este prevăzut:** Rotiți contactul cu cheie (D, Figura 6) în poziția PORNIT / START.
6. **Demaror cu arc, dacă este prevăzut:** Apucați ferm mânerul corzii de pornire (E, Figura 6). Trageți coarda lent până când întâmpinați rezistență, apoi trageți rapid.



AVERTISMENT

Retragerea rapidă a corzii demarorului (reculul) vă va trage mâna și brațul către motor mai repede decât puteți să îi dați drumul. Pot rezulta oase rupte/fracturi, vânătăi sau luxații. La pornirea motorului, trageți încet coarda de pornire până când simțiți o rezistență, iar apoi trageți brusc pentru a evita reculul.

7. **Demaror electric, dacă este prevăzut:** Rotiți contactul cu cheie (D, Figura 6) în poziția PORNIT / START.

NOTIFICARE Pentru a prelungi durata de funcționare a demarorului, utilizați cicluri scurte de pornire (maxim cinci secunde). Așteptați un minut între ciclurile de pornire.

Notă: Dacă motorul nu pornește după mai multe încercări, contactați dealerul local, accesați **BRIGGSandSTRATTON.com** sau apelați **1-800-233-3723** (în SUA).

Sistemul cu șoc

1. Verificați nivelul uleiului din motor. Consultați secțiunea **Verificarea nivelului uleiului**.
2. Asigurați-vă că comenzile de deplasare ale echipamentului, dacă sunt prevăzute, nu sunt activate.
3. Deplasați robinetul de închidere a combustibilului (A, Figura 6), dacă este prevăzut, în poziția DESCHIS.
4. Deplasați maneta de accelerație (B, Figura 6), dacă este prevăzută, în poziția RAPID. Utilizați motorul în poziția RAPID.
5. Mutați șocul (C, Figura 6) în poziția ÎNCHIS. Pentru modelele care dispun de combinația șoc / manetă de accelerație (B C), deplasați maneta pe poziția șoc.

Notă: De obicei, nu este necesar să folosiți șocul la repornirea unui motor cald.

6. **Demaror cu arc, dacă este prevăzut:** Rotiți contactul cu cheie (D, Figura 6) în poziția PORNIT / START.
7. **Demaror cu arc, dacă este prevăzut:** Apucați ferm mânerul corzii de pornire (E, Figura 6). Trageți coarda lent până când întâmpinați rezistență, apoi trageți rapid.



AVERTISMENT

Retragerea rapidă a corzii demarorului (reculul) vă va trage mâna și brațul către motor mai repede decât puteți să îi dați drumul. Pot rezulta oase rupte/fracturi, vânătăi sau luxații. La pornirea motorului, trageți încet coarda de pornire până când simțiți o rezistență, iar apoi trageți brusc pentru a evita reculul.

8. **Demaror electric, dacă este prevăzut:** Rotiți contactul cu cheie (D, Figura 6) în poziția PORNIT / START.

NOTIFICARE Pentru a prelungi durata de funcționare a demarorului, utilizați cicluri scurte de pornire (maxim cinci secunde). Așteptați un minut între ciclurile de pornire.

9. Pe măsură ce motorul se încălzește, mutați comanda șocului (C, Figura 6) în poziția DESCHIS. Pentru modelele care dispun de combinația șoc / manetă de accelerație (B C), deplasați maneta pe poziția RAPID.

Notă: Dacă motorul nu pornește după mai multe încercări, contactați dealerul local, accesați **BRIGGSandSTRATTON.com** sau apelați **1-800-233-3723** (în SUA).

Oprirea motorului



AVERTISMENT



Combustibilul și vaporii săi sunt foarte inflamabili și explozivi.

Incendiul sau explozia se pot solda cu arsuri grave sau cu moartea.

- Nu înecați carburatorul pentru a opri motorul.

1. **Contact cu cheie, dacă este prevăzut:** Cu maneta de accelerație în poziția RAPID, rotiți contactul cu cheie (D, Figura 6) în poziția OPRIT. Scoateți cheia și păstrați-o într-un loc sigur, unde nu este la îndemâna copiilor.
Buton Pornit / Oprit, dacă este prevăzut: Cu maneta de accelerație în poziția RAPID, apăsați butonul PORNIT/OPRIT (F, Figura 6).
2. După oprirea motorului, deplasați robinetul de oprire a combustibilului (A, Figura 6), dacă este prevăzut, în poziția ÎNCHIS.

Întreținerea

NOTIFICARE Dacă motorul este înclinat în timpul întreținerii, rezervorul de benzină, dacă este montat pe motor, trebuie să fie gol și partea cu bujia trebuie să fie în sus. Dacă rezervorul de benzină nu este gol și dacă motorul este înclinat în oricare altă direcție, este posibil ca motorul să pornească greu datorită contaminării cu ulei sau benzină a filtrului de aer și/sau a bujiei.



AVERTISMENT

Dacă efectuați operațiuni de întreținere care necesită înclinarea utilajului, rezervorul de combustibil trebuie să fie gol. În caz contrar, combustibilul se poate scurge, provocând un incendiu sau o explozie.

Vă recomandăm să apelați la un distribuitor cu service autorizat Briggs & Stratton pentru toate operațiile de întreținere și reparare a motorului și a pieselor.

NOTIFICARE Toate componentele utilizate la realizarea acestui motor trebuie să fie prezente pentru ca motorul să funcționeze corect.



AVERTISMENT



Producerea accidentală de scântei se poate solda cu incendii sau cu electrocutare.

Pornirea accidentală se poate solda cu agățare, amputare traumatică sau tăieturi.

Pericol de incendiu

Înainte de a efectua reglaje sau reparații:

- Deconectați fișa bujiei și țineți-o la distanță de bujie.
- Deconectați borna negativă a bateriei (numai la motoarele cu demaror electric).
- Utilizați numai unelte adecvate.
- Nu efectuați intervenții asupra clapetelor reglatoare, asupra articulațiilor sau asupra altor piese pentru a spori turajul motorului.
- Piesele de schimb trebuie să fie identice și montate în aceeași poziție cu piesele originale. Este posibil ca alte piese să nu funcționeze la fel de bine, să deterioreze aparatul și să provoace vătămări corporale.
- Nu loviți volanta cu ciocanul sau cu obiecte grele. În caz contrar, volanta se poate dezmembra în timpul funcționării.

Atunci când testați scântea la bujii:

- Folosiți un tester aprobat.
- Nu verificați scântea cu bujia demontată.

Servisarea sistemului de control al emisiilor

Întreținerea, înlocuirea sau repararea dispozitivelor și sistemelor de control al emisiilor poate fi efectuată de orice firmă sau persoană specializată în repararea motoarelor nerutiere. Pentru a obține însă servisarea „fără taxă” a sistemelor de control al emisiilor, lucrarea trebuie efectuată de un dealer autorizat de producător. Consultați declarațiile privind controlul emisiilor.

Program de întreținere

Primele 5 ore
<ul style="list-style-type: none">• Schimbați uleiul ³
La fiecare 8 ore sau zilnic
<ul style="list-style-type: none">• Verificați nivelul uleiului de motor• Curățați zona din jurul comenzilor și tobei de eșapament• Curățați grila de intrare a aerului
La fiecare 25 de ore sau anual
<ul style="list-style-type: none">• Curățați filtrul de aer ¹• Curățați prefiltrul (dacă este prevăzut) ¹
La fiecare 50 de ore sau anual
<ul style="list-style-type: none">• Schimbați uleiul de motor ⁴• Înlocuiți filtrul de ulei (dacă este prevăzut) ⁴• Servisați sistemul de evacuare
La fiecare 100 de ore sau anual
<ul style="list-style-type: none">• Schimbați uleiul de motor ⁵• Înlocuiți filtrul de ulei (dacă este prevăzut) ⁵
Anual
<ul style="list-style-type: none">• Înlocuiți bujia• Înlocuiți filtrul de aer• Înlocuiți prefiltrul (dacă este prevăzut)• Înlocuiți filtrul de combustibil (dacă este prevăzut)• Servisați sistemul de evacuare• Servisați sistemul de răcire ¹• Verificați jocul supapei ²

¹ În medii prăfoase sau cu impurități în aer, curățați mai frecvent.

² Doar în cazul în care se observă probleme de funcționare a motorului.

³ Numai la motoarele fără filtru de ulei.

⁴ Motor fără filtru de ulei sau cu filtru de ulei standard negru (vezi pagina **Specificații** pentru numărul piesei).

⁵ Motoare cu filtru de ulei de înaltă eficiență galben sau portocaliu (vezi pagina **Specificații** pentru numărul piesei).

Sistem electronic de gestionare a combustibilului

Sistemul electronic de gestionare a combustibilului monitorizează temperatura și turația motorului, precum și tensiunea bateriei în timpul pornirii și încălzirii motorului. Sistemul nu este prevăzut cu reglaje. Dacă apar probleme la pornire sau la funcționare, luați legătura cu un dealer autorizat Briggs & Stratton.

NOTIFICARE Asigurați-vă că parcurgeți etapele de mai jos, în caz contrar sistemul electronic de gestionare a combustibilului se poate deteriora.

- Nu porniți motorul în cazul în care cablurile bateriei sunt slăbite.
- Rotiți cheia în poziția oprit înainte de deconectarea, demontarea și / sau montarea bateriei.
- Nu folosiți un încărcător de baterie pentru a porni motorul.
- Nu deconectați cablurile bateriei în timpul funcționării motorului.
- Când conectați cablurile bateriei, conectați mai întâi cablul pozitiv (+), apoi cablul negativ (-) la baterie.
- Când încărcați bateria, deplasați comutatorul de pornire în poziția oprit și deconectați cablul negativ (-) de la baterie.
- Nu pulverizați apă direct pe unitatea electronică de control (ECM).

Carburatorul și turația motorului

Nu reglați niciodată carburatorul sau turația motorului. Carburatorul a fost reglat din fabrică pentru a funcționa eficient în majoritatea condițiilor. Nu efectuați intervenții asupra clapetelor reglatoare, asupra articulațiilor sau asupra altor piese pentru a modifica turația motorului. Dacă sunt necesare reglaje, apelați la un dealer cu service autorizat Briggs & Stratton.

NOTIFICARE Producătorul echipamentului specifică turația maximă a motorului instalat pe echipament. **Nu depășiți** această turație. Dacă aveți dubii cu privire la turația maximă a echipamentului dvs. sau la turația reglată din fabrică, contactați un dealer cu service autorizat Briggs & Stratton pentru asistență. Pentru o funcționare sigură și corectă a echipamentului, turația motorului trebuie reglată numai de un tehnician de service calificat.

Servisarea bujiei

Vezi Figura 7

Verificați deschiderea (A, Figura 7) cu un calibru (B). Dacă este necesar, modificați deschiderea. Montați și strângeți bujia la cuplul recomandat Pentru informații despre deschiderea bujiei sau cuplu, consultați secțiunea **Specificații**.

Notă: În unele zone, legile locale impun utilizarea unei bujii cu rezistor pentru a suprima semnalele de aprindere. Dacă acest motor a fost echipat la origine cu o bujie cu rezistor, utilizați același tip de bujie pentru înlocuire.

Servisarea sistemului de evacuare



Funcționarea motorului produce căldură Piese ale motorului, în special toba de eșapament, devin foarte fierbinți.

Se pot produce arsuri termice grave la contactul cu acestea.

Deșeurile combustibile, cum ar fi frunzele, iarba, ramurile etc. pot lua foc.

- Lăsați toba de eșapament, cilindrul și lamelele acestuia să se răcească înainte de a le atinge.
- Îndepărtați deșeurile inflamabile acumulate în zona tobei de eșapament și a cilindrului.
- Conform California Public Resource Code, secțiunea 4442, este interzisă utilizarea motorului în zone cu păduri, tufișuri sau iarbă fără a fi dotate cu un sistem de evacuare cu dispozitiv parascântei conform secțiunii 4442, aflat în bună stare de funcționare. Este posibil ca alte state să aibă legi similare. Contactați producătorul echipamentului original, comerciantul sau dealerul pentru a obține un dispozitiv parascântei destinat sistemului de evacuare instalat pe acest motor.

Îndepărtați materialele inflamabile acumulate în zona tobei de eșapament și a cilindrului. Verificați ca toba de eșapament să nu prezinte crăpături, coroziune sau alte probleme. Îndepărtați dispozitivul parascântei, dacă este prevăzut, și verificați să nu fie deteriorat sau să prezinte blocaje de carbon. Dacă depistați probleme, montați piese de schimb înainte de utilizare.



AVERTISMENT

Piesele de schimb trebuie să fie identice și montate în aceeași poziție cu piesele originale. Este posibil ca alte piese să nu funcționeze la fel de bine, să deterioreze aparatul sau să provoace vătămări corporale.

Schimbarea uleiului de motor

Vezi Figura: 8, 9, 10, 11

Uleiul uzat este un deșeu periculos și trebuie să fie eliminat în mod corespunzător. Nu îl aruncați împreună cu deșeurile menajere. Consultați-vă cu autoritățile locale, centrul de service sau cu dealerul pentru care sunt posibilitățile de eliminare/reciclare sigure.

Scurgerea uleiului

1. Cu motorul oprit dar cald, deconectați fișa bujiei (D, Figura 8) și mențineți-o la distanță de bujie (E).
2. Scoateți joja (A, Figura 9).

Bușon de scurgere a uleiului, dacă este prevăzut

1. Demontați bușonul de scurgere a uleiului (F, Figura 10). Goliți uleiul într-un recipient aprobat.

Notă: Oricare din bușoanele de scurgere a uleiului (G, Figura 10) din figură poate fi montat pe motor.

2. După scurgerea uleiului, montați și strângeți bușonul de scurgere a uleiului (F, Figura 10).

Sistem de scurgere rapidă a uleiului, dacă este prevăzut

1. Deconectați furtunul de scurgere rapidă a uleiului (H, Figura 11) din lateralul motorului.
2. Rotiți și demontați bușonul de scurgere a uleiului (I, Figura 11). Coborâți cu grijă furtunul de scurgere rapidă a uleiului (H) într-un recipient aprobat (J).
3. După scurgerea uleiului, montați bușonul sistemului de scurgere rapidă a uleiului (F, Figura 11). Atașați furtunul de scurgere rapidă a uleiului (H) în lateralul motorului.

Schimbarea filtrului de ulei, dacă este prevăzut

Unele modele sunt echipate cu un filtru de ulei. Pentru intervalele de înlocuire, consultați **Programul de întreținere**.

1. Goliți uleiul din motor. Vezi secțiunea **Eliminarea uleiului**.
2. Scoateți filtrul de ulei (K, Figura 9) și depozitați-l la deșeurii în mod corespunzător.
3. Înainte de a monta noul filtru de ulei, ungeți ușor garnitura filtrului cu ulei curat și proaspăt.
4. Montați filtrul de ulei cu mâna până când garnitura atinge adaptorul filtrului de ulei, apoi strângeți filtrul de ulei încă 1/2 sau 3/4 de tură.
5. Adăugați ulei. Vezi secțiunea **Completare ulei**.
6. Porniți motorul și lăsați-l să funcționeze. În timp ce motorul se încălzește, verificați dacă sunt scurgeri de ulei.
7. Opriti motorul și verificați nivelul uleiului. Nivelul corect al uleiului este în partea superioară a indicatorului de umplere (B, Figura 9) de pe joă.

Adăugarea uleiului

- Asigurați-vă că motorul este orizontal.
- Curățați zona orificiului de alimentare cu ulei de orice fel de reziduuri.
- Vezi secțiunea **Specificații** pentru detalii cu privire la capacitatea de ulei.

1. Scoateți joja (A, Figura 9) și ștergeți-o cu o cârpă curată.
2. Turnați lent uleiul în orificiul de alimentare cu ulei (C, Figura 9). **Nu alimentați în exces**. După adăugarea uleiului, așteptați un minut, apoi verificați nivelul uleiului.

Notă: Nu adăugați ulei prin sistemul de scurgere rapidă a uleiului (H, Figura 11), dacă este prevăzut.

3. Montați și strângeți joja (A, Figura 9).
4. Scoateți joja și verificați nivelul uleiului. Nivelul corect al uleiului este în partea superioară a indicatorului de umplere (B, Figura 9) de pe joă.
5. Montați la loc și strângeți joja (A, Figura 9).
6. Conectați fișa bujiei (D, Figura 8) la bujie (E).

Servisarea filtrului de aer

Vezi Figura: 12, 13



Combustibilul și vaporii săi sunt foarte inflamabili și explozivi.

Incendiul sau explozia se pot solda cu arsuri grave sau cu moartea.

- Nu porniți sau nu utilizați niciodată motorul având demontat ansamblul filtrului de aer (dacă este prevăzut) sau filtrul de aer (dacă este prevăzut).

NOTIFICARE Nu folosiți aer comprimat sau solvenți pentru a curăța filtrul. Aerul comprimat poate deteriora filtrul, iar solvenții îl vor dizolva.

Pentru informații despre întreținere, consultați **Tablel de întreținere**.

Diferitele modele folosesc filtre din burete sau din hârtie. Unele modele sunt echipate și cu un prefiltru, care poate fi spălat și refolosit. Comparați ilustrațiile din acest manual cu tipul montat pe motorul dvs. și servisați-l în consecință.

Filtru de aer din hârtie

1. Ridicați de mânerul capacului (A, Figura 12). Rotiți mânerul capacului spre motor, apoi demontați capacul (B).
2. Demontați prefiltrul (C, Figura 12), dacă este prevăzut, și filtrul (D).
3. Pentru a face să cadă reziduurile, bateți ușor filtrul (D, Figura 12) pe o suprafață tare. Dacă filtrul este excesiv de murdar, înlocuiți-l cu unul nou.
4. Spălați prefiltrul (C, Figura 12) în detergent lichid și apă. Lăsați prefiltrul (C) să se usuce complet la aer. **Nu ungeți prefiltrul cu ulei.**

5. Asamblați prefiltrul uscat (C, Figura 12), dacă este prevăzut și filtrul (D) pe baza motorului (E).
6. Aliniați lamelele (F, Figura 12) capacului (B) cu fantele (G) din carcasa suflantei.
7. Rotiți înapoi mânerul capacului (A, Figura 12) și apăsați-l pentru a-l fixa.

Filtru de aer din hârtie

1. Desfaceți elementele de fixare (A, Figura 13).
2. Demontați capacul (B, Figura 13).
3. Pentru a demonta filtrul (C, Figura 13), ridicați capătul filtrului, apoi trageți filtrul de pe orificiul de admisie (D).
4. Pentru a face să cadă depunerile/reziduurile, bateți ușor filtrul (C, Figura 13) pe o suprafață tare. Dacă filtrul este excesiv de murdar, înlocuiți-l cu unul nou.
5. Demontați prefiltrul (E, Figura 13), dacă este prevăzut, de pe filtru (C).
6. Spălați prefiltrul (E, Figura 13), dacă este prevăzut, în detergent lichid și apă. Lăsați prefiltrul să se usuce complet la aer. Nu ungeți prefiltrul cu ulei.
7. Montați prefiltrul uscat (E, Figura 13), dacă este prevăzut, pe filtru (C).
8. Montați filtrul (C, Figura 13) pe orificiul de admisie (D). Apăsați capătul filtrului pe baza motorului. Asigurați-vă că filtrul este bine fixat pe baza motorului.
9. Montați capacul filtrului de aer (B, Figura 13) și fixați-l cu elementele de fixare (A).

Servisarea sistemului de alimentare cu combustibil

Vezi Figura 14, 15



Combustibilul și vaporii săi sunt foarte inflamabili și explozivi.

Incendiul sau explozia se pot solda cu arsuri grave sau cu moartea.

- Țineți benzina la distanță de scânteii, flăcări deschise, arzătoare pilot, flăcări de veghe, căldură sau alte surse de aprindere.
- Verificați frecvent furtunurile/conductele de benzină, rezervorul, bușonul și fittingurile dacă prezintă fisuri sau scurgeri. Înlocuiți-le dacă este necesar.
- Înainte de a curăța sau înlocui filtrul de combustibil, scurgeți combustibilul din rezervor sau închideți robinetul de oprire a combustibilului.
- Dacă au loc scurgeri de benzină, așteptați până când acestea se evaporă și numai după aceea porniți motorul.
- Piese de schimb trebuie să fie identice și să fie instalate în aceeași poziție ca piesele originale.

Servisarea sistemului de alimentare cu combustibil

1. Înainte de a curăța sau înlocui filtrul de combustibil (A, Figura 14), scurgeți combustibilul din rezervor sau închideți robinetul de oprire a combustibilului. În caz contrar, combustibilul se poate scurge și provoca un incendiu sau o explozie.
2. Folosiți un clește pentru a strânge lamelele (B, Figura 14) pe cleme (C), apoi glisați clemele distanțându-le de filtrul de combustibil (A). Răsuciți și extrageți conductele de combustibil (D) de pe filtrul de combustibil.
3. Verificați dacă conductele de combustibil (D, Figura 14) nu sunt crăpate și nu au scurgeri. Înlocuiți-le dacă este necesar.
4. Înlocuiți filtrul de combustibil (A, Figura 14) cu un filtru nou original.
5. Fixați conductele de combustibil (D, Figura 14) cu cleme (C) conform figurii.

Sită de combustibil, dacă este prevăzută

1. Scoateți bușonul de combustibil (A, Figura 15).
2. Scoateți sita de combustibil (B, Figura 15).
3. Dacă sita de combustibil este murdară, curățați-o sau înlocuiți-o. Dacă înlocuiți sita de combustibil, asigurați-vă că utilizați o sită de schimb originală.

Servisarea sistemului de răcire



Funcționarea motorului produce căldură. Piese ale motorului, în special toba de eșapament, devin foarte fierbinți.

Se pot produce arsuri termice grave la contactul cu acestea.

Deșeurile combustibile, cum ar fi frunzele, iarba, ramurile etc. pot lua foc.

- Lăsați toba de eșapament, cilindrul și aripile acestuia să se răcească înainte de a le atinge.
- Îndepărtați deșeurile inflamabile acumulate în zona tobei de eșapament și a cilindrului.

NOTIFICARE Nu curățați motorul cu apă. Apa poate contamina sistemul de alimentare cu combustibil. Folosiți o perie sau o cârpă curată pentru a curăța motorul.

Acest motor este răcit cu aer. Murdăria sau reziduurile pot restricționa fluxul de aer și provoca supraîncălzirea motorului. Aceste reziduuri nu pot fi îndepărtate fără dezasamblarea parțială a motorului. Apelați la un agent autorizat Briggs & Stratton pentru inspecția și curățarea sistemului de răcire cu aer conform recomandărilor din **Programul de întreținere**.

1. Folosiți o perie sau o cârpă uscată pentru a îndepărta reziduurile de pe grila de intrare a aerului.
2. Menționați curate articulațiile, arcurile și comenzile.
3. Nu permiteți acumularea de deșeurii inflamabile în zona din jurul și din spatele tobei de eșapament.
4. Verificați dacă lamelele radiatorului pentru ulei nu conțin murdărie și reziduuri.

După un timp, reziduurile se pot acumula în lamelele de răcire ale cilindrului și pot provoca supraîncălzirea motorului. Aceste reziduuri nu pot fi îndepărtate fără dezasamblarea parțială a motorului. Apelați la un agent autorizat Briggs & Stratton pentru inspecția și curățarea sistemului de răcire cu aer conform recomandărilor din **Programul de întreținere**.

Depozitarea



Combustibilul și vaporii săi sunt foarte inflamabili și explozivi.

Incendiul sau explozia pot cauza arsuri grave sau deces.

Atunci când depozitați combustibil sau echipamente cu combustibil în rezervor

- Depozitați-le la distanță de cuptoare, sobe, boilere sau alte echipamente care au flacăra de veghe sau altă sursă de aprindere, deoarece acestea ar putea aprinde vaporii de combustibil.

Sistemul de alimentare cu combustibil

Consultați figura: 16

Depozitați motorul în poziție orizontală (poziția normală de lucru). Umpleți rezervorul de combustibil (A, Figura 16) cu combustibil. Pentru a permite dilatarea combustibilului, nu umpleți până deasupra gâtului rezervorului de combustibil (B).

Combustibilul se poate învechi dacă este depozitat mai mult de 30 zile. Combustibilul vechi determină formarea de acid și depuneri de gume în sistemul de alimentare sau pe piese esențiale ale carburatorului. Pentru a menține combustibilul proaspăt, utilizați **Tratamentul și stabilizatorul de combustibil cu formulă avansată Briggs & Stratton**, disponibil oriunde se vând piese de schimb autentice Briggs & Stratton.

Nu este nevoie să goliți benzina din motor dacă stabilizatorul de combustibil a fost adăugat în conformitate cu instrucțiunile. Lăsați motorul să funcționeze două (2) minute pentru ca stabilizatorul să circule prin tot sistemul de alimentare cu combustibil înainte de depozitare.

Dacă benzina din motor nu a fost tratată cu stabilizator de combustibil, ea trebuie să fie scursă într-un recipient aprobat. Lăsați motorul să funcționeze până când se oprește din lipsă de combustibil. Se recomandă folosirea stabilizatorului de combustibil în recipientul de depozitare pentru menținerea proșpețimii combustibilului.

Ulei de motor

Schimbați uleiul cât timp motorul este cald. Consultați secțiunea **Schimbarea uleiului de motor**.

Remediarea defecțiunilor

Pentru asistență, contactați dealerul local, accesați **BRIGGSandSTRATTON.com** sau apelați **1-800-233-3723** (în SUA).

Specificații

Model: 210000	
Capacitate cilindrică	21.01 ci (344 cc)
Alezaj	3.437 in (87,30 mm)
Cursă	2.264 in (57,51 mm)

Model: 210000	
Capacitate ulei - fără filtru	42 - 44 oz (1,24 - 1,30 L)
Capacitate ulei - cu filtru	46 - 48 oz (1,36 - 1,40 L)
Distanță electrozi bujie	0.030 in (0,76 mm)
Cuplu bujie	180 lb-in (20 Nm)
Distanță electrozi rotor	0.010 - 0.014 in (0,25 - 0,36 mm)
Joc supapă de admisie	0.003 - 0.005 in (0,08 - 0,13 mm)
Joc supapă de evacuare	0.005 - 0.007 in (0,13 - 0,18 mm)

Model: 310000	
Capacitate cilindrică	30.59 ci (501 cc)
Alezaj	3.563 in (90,49 mm)
Cursă	3.062 in (77,77 mm)
Capacitate ulei - fără filtru	42 - 44 oz (1,24 - 1,30 L)
Capacitate ulei - cu filtru	46 - 48 oz (1,36 - 1,40 L)
Distanță electrozi bujie	0.030 in (0,76 mm)
Cuplu bujie	180 lb-in (20 Nm)
Distanță electrozi rotor	0.010 - 0.014 in (0,25 - 0,36 mm)
Joc supapă de admisie	0.003 - 0.005 in (0,08 - 0,13 mm)
Joc supapă de evacuare	0.005 - 0.007 in (0,13 - 0,18 mm)

Puterea motorului va scădea cu 3,5% la fiecare 1.000 de picioare (300 de metri) deasupra nivelului mării și cu 1% la fiecare 10° F (5,6° C) peste 77° F (25° C). Motorul va opera satisfăcător la un unghi de până la 15°. Consultați manualul de utilizare al echipamentului pentru limitările de siguranță privind utilizarea în pantă.

Componente service - Model: 210000	
Componentă service	Piesa numărul
Filtru de aer, hârtie (vezi Figura 13)	796032
Prefiltru filtru de aer, burete (vezi Figura 13)	798911
Filtru de aer, hârtie (vezi Figura 12)	698413, 5079
Prefiltru filtru de aer, burete (vezi Figura 12)	697292, 5079
Ulei - SAE 30 (20 oz, 0,6 L)	100005
Ulei - SAE 30 (48 oz, 1,4 L)	100028
Filtru de ulei	492932
Advanced Formula Fuel Treatment & Stabilizer	100117, 100120
Filtru de combustibil - motor fără pompă de combustibil	394358, 5098
Filtru de combustibil - motor cu pompă de combustibil	691035, 5065
Bujie cu rezistor	491055
Bujie din platină cu viață lungă	5066
Cheie pentru bujii	89838, 5023
Tester de bujii	19368

Componente service - Model: 310000	
Componentă service	Piesa numărul
Filtru de aer, hârtie (vezi Figura 13)	796031
Prefiltru filtru de aer, burete (vezi Figura 13)	797704
Filtru de aer, hârtie (vezi Figura 12)	698083, 5077
Prefiltru filtru de aer, burete (vezi Figura 12)	697015, 5077
Filtru de aer, plat lavabil	697153, 5078
Ulei - SAE 30 (20 oz, 0,6 L)	100005
Ulei - SAE 30 (48 oz, 1,4 L)	100028
Filtru de aer, standard - negru	492932
Filtru de aer, înaltă eficiență - galben	795890
Filtru de aer, înaltă eficiență - portocaliu	798576
Advanced Formula Fuel Treatment & Stabilizer	100117, 100120
Filtru de combustibil - motor fără pompă de combustibil	394358, 5098

Componente service - Model: 310000	
Filtru de combustibil - motor cu pompă de combustibil	691035, 6065
Bujie cu rezistor	491055
Bujie din platină cu viață lungă	5066
Cheie pentru bujii	89838, 5023
Tester de bujii	19368

Vă recomandăm să apelați la un distribuitor cu service autorizat Briggs & Stratton pentru toate operațiile de întreținere și reparare a motorului și a pieselor.

Puterea nominală: Puterea nominală brută aferentă modelelor individuale de motoare pe benzină este etichetată în conformitate cu SAE (Society of Automotive Engineers - Societatea inginerilor auto), cod J1940, Procedura de evaluare a puterii și cuplului motoarelor mici, și este evaluată în conformitate cu SAE J1995. Valorile cuplului sunt stabilite la 2.600 rot./min. pentru motoarele cu turația indicată pe etichetă și la 3.060 rot./min. pentru toate celelalte; valorile exprimate în cai putere sunt stabilite la 3.600 rot./min. Curbele de variație a puterii brute pot fi văzute la www.BRIGGSandSTRATTON.COM. Valorile puterii nete sunt determinate cu echipamentul și filtrul de aer montate, în timp ce valorile puterii brute sunt determinate fără aceste accesorii. Puterea brută efectivă a motorului va fi mai mare decât puterea netă a motorului și este afectată, printre altele, de condițiile de funcționare din mediul ambiant și de variabilitatea specifică motorului respectiv. Dat fiind faptul că motoarele sunt montate pe o varietate largă de produse, motorul pe benzină poate să nu dezvolte puterea brută nominală atunci când este utilizat pe un anumit echipament. Această diferență se datorează unei multitudini de factori incluzând, dar fără a fi limitată la, varietatea de componente ale motorului (filtru de aer, echipament, sarcină, răcire, carburator, pompă de benzină etc.), limitările aplicației, mediul de funcționare (temperatură, umiditate, altitudine), precum și variațiile între motoare. Datorită limitărilor de capacitate și de producție, Briggs & Stratton poate înlocui acest motor cu unul de putere nominală mai mare.

Garanție

Garanția motorului Briggs & Stratton

Valabilă din ianuarie 2017

Garanție limitată

Briggs & Stratton garantează că, în perioada de garanție specificată mai jos, va repara sau va înlocui în mod gratuit orice componente cu defecte de material, de manoperă sau ambele. Cheltuielile de transport pentru piesele trimise pentru a fi reparate sau înlocuite conform cu această garanție trebuie suportate de către cumpărător. Această garanție este valabilă pentru perioadele de timp și în condițiile menționate mai jos. Pentru a beneficia de service conform garanției, localizați cel mai apropiat dealer autorizat pentru service folosind harta cu localizarea dealerilor de pe BRIGGSandSTRATTON.COM. Cumpărătorul trebuie să contacteze dealerul autorizat pentru service și trebuie să îi pună acestuia la dispoziție produsul pentru inspecție și testare.

Nu există alte garanții explicite. Garanțiile implicite, inclusiv cele de vandabilitate sau adecvare pentru un anumit scop, sunt limitate la perioada de garanție menționată mai jos sau în măsura permisă de lege. Responsabilitatea pentru daunele accidentale sau rezultate pe cale de consecință este exclusivă în măsura în care legea permite această excludere. Unele state sau țări nu permit limitarea duratei de valabilitate a unei garanții implicite, iar unele state sau țări nu permit excluderea sau limitarea daunelor accidentale sau rezultate pe cale de consecință, astfel încât este posibil ca limitările și excluderile mai sus menționate să nu se aplice în cazul dumneavoastră. Această garanție vă conferă anumite drepturi legale, iar în plus puteți beneficia și de alte drepturi legale, care diferă de la o țară la alta și de la un stat la altul ⁴.

Termenii standard ai garanției 1, 2, 3

Marcă/Denumire produs	Utilizare personală	Utilizare comercială
Vanguard™; Seria comercială	36 de luni	36 de luni
Motoare cu cilindri din fontă Dura-Bore™	24 de luni	12 luni
Toate celelalte motoare	24 de luni	3 luni

¹ Aceștia sunt termenii noștri standard de garanție, însă este posibil să publicăm ocazional termeni de garanție suplimentari, care nu existau la data publicării. Pentru a obține termenii de garanție actualizați, accesați BRIGGSandSTRATTON.COM sau contactați un dealer autorizat pentru service Briggs & Stratton.

² Nu se acordă garanție pentru motoarele echipamentelor folosite ca sursă de energie principală în locul unei utilități sau pentru generatoarele de rezervă folosite în scopuri comerciale. Motoarele folosite în competiții sau în scopuri comerciale sau de închiriere nu beneficiază de garanție.

³ Vanguard montate pe generatoare de rezervă: 24 de luni pentru uz personal, fără garanție pentru uz comercial. Vanguard montat pe vehicule utilitare: 24 de luni pentru uz personal, 24 de luni pentru uz comercial. Seriile comerciale cu data de fabricație anterioară lunii iulie 2017, 24 de luni pentru uz personal, 24 de luni pentru uz comercial.

⁴ În Australia - Produsele noastre sunt livrate cu garanții care nu pot fi excluse în temeiul Legii australiene referitoare la consumatori. Aveți dreptul la înlocuire sau rambursări în cazul unei defecțiuni majore și la compensări în cazul oricărui altor daune sau deteriorări previzibile în mod rezonabil. De asemenea, aveți dreptul la reparații sau înlocuiri ale produselor dacă acestea nu sunt de calitate acceptabilă și dacă defecțiunea nu este una majoră. Pentru a beneficia de service conform garanției, localizați cel mai apropiat dealer autorizat pentru service folosind harta cu localizarea dealerilor de pe BRIGGSandSTRATTON.COM, apelând 1300 274 447 sau contactându-ne prin e-mail ori în scris la salesenquires@briggsandstratton.com.au, Briggs & Stratton Australia Pty Ltd, 1 Moorebank Avenue, NSW, Australia, 2170.

Perioada de garanție începe la data inițială a cumpărării de către primul consumator persoană fizică sau juridică. „Utilizare personală” înseamnă utilizare rezidențială de către un consumator particular. „Utilizare comercială” înseamnă toate celelalte utilizări, inclusiv utilizarea în scopuri comerciale, aducătoare de venituri sau chirie. În cadrul acestei polițe de garanție, un motor, odată ce a fost utilizat comercial este considerat ca fiind de uz comercial și pentru viitor.

Păstrați documentul care dovedește achiziția. Dacă nu prezentați dovada datei achiziției inițiale în momentul în care solicitați service în baza garanției, pentru a determina eligibilitatea la garanție va fi folosită data de fabricație a produsului. Înregistrarea produsului nu este obligatorie pentru obținerea de service în baza garanției la produsele Briggs & Stratton.

Despre garanție

Această garanție acoperă exclusiv defectele de material și/sau de manoperă ale motorului și nu implică înlocuirea sau rambursarea costului echipamentului pe care a fost montat motorul. Întreținerea de rutină, reglajele, ajustările sau uzura normală nu sunt acoperite de această garanție. În mod similar, garanția nu este valabilă dacă motorul a fost modificat sau dacă numărul de serie al motorului a fost deteriorat sau îndepărtat. Această garanție nu acoperă deteriorările motorului sau problemele de performanță cauzate de:

- folosirea altor piese decât piesele originale Briggs & Stratton;
- funcționarea motorului cu ulei insuficient, contaminat sau cu caracteristici inadecvate;
- folosirea de combustibil contaminat sau vechi, benzină cu peste 10% etanol sau folosirea de combustibili alternativi precum GPL pe motoare care nu au fost proiectate/produse de Briggs & Stratton pentru a funcționa cu astfel de combustibili;
- murdăria intrată în motor din cauza întreținerii sau reasamblării incorecte a filtrului de aer;
- lovirea unui obiect cu lama cuțitului unei mașini cu cuțite rotative de tuns gazonul, montarea incorectă sau fără strângere adecvată a adaptoarelor cuțitelor, rotoarelor sau altor dispozitive montate pe arborile cotit, sau strângerea excesivă a curelei trapezoidale;
- piese sau ansamble asociate care nu sunt furnizate de Briggs & Stratton, precum ambreiaje, transmisii, comenzi ale echipamentului;
- suprîncălzirea din cauza ierbii tăiate, noroiului, reziduurilor sau cuiburilor de rozătoare care astupă sau înfundă lamelele de răcire sau zona volantei, sau folosirea motorului fără ventilare suficientă;
- vibrarea excesivă din cauza supraturării, fixării incorecte a motorului, cuțitelor sau rotoarelor desfăcute sau dezechilibrate, sau cuplării incorecte a componentelor echipamentului pe arborile cotit;
- folosirea greșită, lipsa întreținerii periodice, transport, manipulare sau depozitare, instalare incorectă a motorului.

Service-ul în baza garanției este disponibil doar prin intermediul dealerilor autorizați pentru service Briggs & Stratton. Localizați cel mai apropiat dealer de service autorizat folosind harta de localizare a dealerilor de pe BRIGGSandSTRATTON.COM sau apelând 1-800-233-3723 (în SUA).

80004537 (Rev. C)

В настоящем руководстве содержится информация по безопасности, которая призвана обратить Ваше внимание на опасности и риски, связанные с работой двигателей, а так же, как избежать их. Руководство также содержит инструкции по надлежащей эксплуатации двигателя и по уходу за ним. Поскольку компания Briggs & Stratton может не знать, какое оборудование будет приводить в движение данный двигатель, важно, чтобы Вы прочли и поняли эти инструкции, а также инструкции на оборудование, имеющего привод от данного двигателя. **Сохраните эти оригинальные инструкции для последующих справок.**

Примечание: Рисунки и иллюстрации в настоящем руководстве представлены только для справки и могут отличаться от конкретной модели. Если у вас возникли вопросы, обратитесь к своему дилеру.

Для получения запасных частей или технического содействия запишите модель, тип и номер кода вашего двигателя, а также дату покупки. Эти номера обозначены на Вашем двигателе (смотрите раздел **Конструктивные узлы и органы управления**).

Дата приобретения	
Модель двигателя - Тип - Исполнение	
Серийный номер машины	

Смотрите двумерный штриховой код, имеющийся на некоторых двигателях. При просмотре с помощью 2D-совместимого устройства, код будет отправлен на наш Web-сайт, где Вы сможете получить доступ к информации поддержки для данного изделия. Применима скорость передачи данных. В некоторых странах может быть недоступна поддержка через интернет.



Информация об утилизации

		Всю упаковку, отработанное масло и аккумуляторные батареи необходимо утилизировать в соответствии с применимыми нормативными требованиями.
--	--	--

Безопасность оператора

Предупредительные знаки опасности и слова

Предупреждающий символ по технике безопасности используется для обозначения информации по технике безопасности касательно опасностей, которые могут привести к травмированию персонала. Вместе с предупреждающим символом используется сигнальное слово (ОПАСНО, ПРЕДУПРЕЖДЕНИЕ или ОСТОРОЖНО), чтобы обозначить вероятность или потенциальную тяжесть травмы. В дополнение к этому, может использоваться символ опасности, чтобы обозначить тип опасности.

ОПАСНО указывает на опасную ситуацию, которая, если ее не избежать, приведет к смертельному исходу или получению серьезной травмы.

ПРЕДУПРЕЖДЕНИЕ указывает на опасную ситуацию, которая, если ее не избежать, может привести к смертельному исходу или получению серьезной травмы.

ОСТОРОЖНО указывает на опасную ситуацию, которая, если ее не избежать, может привести к получению травмы малой или средней тяжести.

ВНИМАНИЕ указывает на ситуацию, которая может привести к повреждению изделия.

Знаки опасности и пояснения к ним

Знак	Значение	Знак	Значение
	Информация об опасности получения травм.		Перед эксплуатацией и обслуживанием данного изделия внимательно прочтите руководство по эксплуатации.
	Риск возникновения пожара		Опасность взрыва
	Опасность поражения электрическим током.		Опасность поражения ядовитым газом
	Горячая поверхность		Опасность шума - Рекомендуется средство защиты органов слуха при длительной эксплуатации.
	Опасность выброса предметов - Ношение средства защиты для глаз.		Опасность взрыва
	Опасность обморожения		Опасность обратного хода
	Опасность ампутации - движущиеся части		Опасность поражения химическими веществами
	Опасность получения ожогов		Едкое вещество

Общие положения о безопасности

ОСТОРОЖНО

Определенные компоненты этого устройства и соответствующие дополнительные приспособления содержат химические элементы, признанные в штате Калифорния как вызывающие рак, врожденные пороки развития, а также оказывающие иные негативные воздействия на репродуктивную систему человека. Мойте руки после работы с ними.

ОСТОРОЖНО

Выхлопные газы двигателя этого устройства содержат химические элементы, признанные в штате Калифорния как вызывающие рак, врожденные пороки развития, а также оказывающие иные негативные воздействия на репродуктивную систему человека.

ОСТОРОЖНО

Двигатели Briggs & Stratton не предназначены и не должны использоваться для привода: развлекательных и спортивных картов, детских, развлекательных или вездеходных транспортных средств, мотоциклов, транспортных средств на воздушной подушке, летательных аппаратов или транспортных средств для соревнований без получения разрешения компании Briggs & Stratton. Для получения информации о продукции для спортивных состязаний посетите сайт www.briggsracing.com. Для получения информации об использовании мотовездеходов обратитесь в Центр по применению двигателей Briggs & Stratton по тел. 1-866-927-3349. Ненадлежащее применение двигателя может стать причиной тяжелой травмы или смерти.



Топливо и его пары легко воспламеняются и взрывоопасны.

Воспламенение или взрыв могут привести к тяжелым ожогам или смертельному исходу.

При доливе топлива

- Заглушите двигатель, дайте ему как минимум 2 минуты, чтобы остыть, и только после этого снимите крышку топливного бака.
- Заполнение топливного бака следует осуществлять за пределами помещения или в хорошо вентилируемом помещении.
- Не следует переполнять топливный бак. Чтобы учесть тепловое расширение топлива, не заполняйте топливный бак выше нижней части горловины.
- Храните топливо вдали от источников искр, открытого огня, зажженных горелок и других источников возгорания.
- Регулярно проверяйте топливные трубки, бак, крышку и патрубки на наличие трещин и протеканий. При необходимости заменяйте.
- В случае пролива топлива, подождите, пока оно испарится, и только после этого запускайте двигатель.

При запуске двигателя

- Убедитесь, что кабель свечи зажигания, глушитель, крышка топливного бака и воздушный фильтр (если таковые имеются) находятся на своих местах и надежно закреплены.
- Не заводите двигатель при снятой свече зажигания.
- В случае перелива топлива в карбюраторе двигателя, установите воздушную заслонку (если имеется) в положение OPEN (Открыто)/RUN (Работа), переместите рычаг управления дросселем (если имеется) в положение FAST (Быстро) и заводите двигатель, пока он не запустится.

При эксплуатации оборудования

- Не наклоняйте двигатель или оборудование на угол, при котором может пролиться топливо.
- Запрещается закрывать воздушную заслонку карбюратора, чтобы остановить двигатель.
- Никогда не запускайте и не эксплуатируйте двигатель без установленного узла воздухоочистителя (если имеется) или воздушного фильтра (если имеется).

При смене масла

- Если вы сливаете масло через верхний маслосливной патрубок, топливный бак должен быть пустым, иначе топливо может протечь и вызвать воспламенение или взрыв.

При наклоне агрегата для выполнения техобслуживания

- Если для выполнения техобслуживания требуется наклонить агрегат, необходимо опорожнить топливный бак, если он установлен на двигатель. В противном случае топливо может разлиться и вызвать пожар или взрыв.

При транспортировке оборудования

- Транспортировку следует осуществлять с ПУСТЫМ топливным баком или с краником подачи топлива в положении CLOSED (Закрото).

При хранении топлива или оборудования с топливом в баке

- Храните топливо и оборудование вдали от котлов, печей, водонагревателей и прочих приборов, в которых используются горелки или иные источники воспламенения, поскольку это может привести к воспламенению паров топлива.



При запуске двигателя происходит искрение.

Искрение может привести к возгоранию находящихся поблизости воспламеняемых газов.

В результате возгорания может произойти пожар или взрыв.

- Если поблизости произошла утечка природного или сжиженного газа, не запускайте двигатель.
- Не используйте находящиеся под давлением пусковые жидкости, поскольку их испарения легко воспламеняются.



ОПАСНОСТЬ ОТРАВЛЕНИЯ ЯДОВИТЫМИ ГАЗАМИ! Выхлопные газы содержат оксид углерода — ядовитый газ, который может убить за минуты. Этот газ НЕВОЗМОЖНО увидеть или почувствовать; он не имеет запаха. Даже если вы не чувствуете запаха выхлопных газов, вы все равно можете быть подвержены действию угарного газа. Если во время эксплуатации данного изделия вас начинает тошнить или вы начинаете испытывать головокружение или слабость, выключите его и **НЕМЕДЛЕННО** выйдите на свежий воздух. Обратитесь к врачу. Возможно, вы отравились угарным газом.

- Эксплуатируйте данное изделие ТОЛЬКО вне помещений и вдали от окон, дверей и вентиляционных отверстий, чтобы сократить риск накопления угарного газа и втягивания его в жилые помещения.
- В соответствии с указаниями производителя в помещениях следует установить и содержать в исправном состоянии датчики окиси углерода, работающие от батарей, или от сети с аварийным аккумуляторным источником питания. Аварийные датчики дыма не улавливают газ окиси углерода.
- НЕ ЗАПУСКАЙТЕ данное оборудование в домах, гаражах, подвалах, туннелях, сараях и других частично замкнутых пространствах, даже если при этом используются вентиляторы или открыты окна и двери для вентиляции. В этих местах угарный газ может быстро накапливаться и надолго задерживаться, даже после выключения оборудования.
- ВСЕГДА устанавливайте этот датчик с подветренной стороны и направляйте поток выхлопных газов двигателя в сторону от мест пребывания людей.



Быстрое втягивание пускового троса (обратный ход) может притянуть вашу кисть или руку к двигателю до того, как вы успеете отпустить его.

Это может привести к переломам, ушибам и вывихам.

- При запуске двигателя медленно потяните за пусковой трос, пока не почувствуете сопротивление, а затем дерните, чтобы избежать обратного хода троса.
- Перед запуском двигателя отключите все внешние нагрузки оборудования/двигателя.
- Элементы оборудования, которые непосредственно подсоединены к двигателю, например, среди прочего, ножи, крыльчатки, шкивы, звездочки и т. п., должны быть надежно закреплены.



Вращающиеся детали могут захватить и затянуть руки, ноги, волосы, одежду или аксессуары.

Это может привести к травматической ампутации или тяжелым рваным ранам.

- Не эксплуатируйте оборудование без предусмотренных защитных приспособлений.
- Берегите руки и ноги от вращающихся элементов.
- Уберите длинные волосы и снимите ювелирные украшения.
- Не носите свободную одежду, болтающиеся шарниры или предметы, которые могут быть захвачены движущимися деталями.



Работающий двигатель нагревается. Детали двигателя, особенно глушитель, нагреваются до очень высокой температуры.

При контакте с ними можно получить ожоги высокой степени.

Воспламеняемый мусор, например листья, трава, сухая поросль и т.д. могут загореться.

- Прежде чем прикасаться, дайте время глушителю, цилиндрам двигателя и ребрам радиатора остыть.
- Удалите накопившийся воспламеняемый мусор с участков вблизи глушителя и цилиндра.
- Использование или эксплуатация двигателя на территории, покрытой лесом, кустарниками или травой, без оснащения системы выхлопных газов

искрогасителем и поддержки его в рабочем состоянии, является нарушением норматива Public Resource Code, раздел 4442, штата Калифорния. В других штатах или федеральных юрисдикциях также могут действовать подобные законы. Для приобретения искрогасителя, рассчитанного на выхлопную систему, которая установлена на двигателе, обратитесь к производителю оригинального оборудования, розничному продавцу или дилеру.



ОСТОРОЖНО

Случайное образование искры может привести к пожару или поражению электрическим током.

Случайный запуск может привести к захватыванию, травматической ампутации различных частей тела или к образованию рваных ран.

Опасность возгорания

Перед проведением регулировки или ремонта:

- Отсоедините провод от свечи зажигания и отведите его от свечи.
- Отсоедините кабель от отрицательной клеммы аккумулятора (только для двигателей с электростартером).
- Используйте только подходящие инструменты.
- Не меняйте настройку пружины, тяг и других деталей регулятора для увеличения частоты вращения вала двигателя.
- Запасные детали должны быть такой же конструкции и устанавливаться на то же самое место, что и первоначальные детали. Использование неоригинальных запасных частей может стать причиной ухудшения работы, повреждения оборудования и травмирования людей.
- Запрещается наносить удары по маховику молотком или твердым предметом, поскольку позже маховик может разрушиться во время эксплуатации двигателя.

Проверка на искру:

- Используйте подходящий прибор для проверки свечей зажигания.
- Не проверяйте наличие искры при снятой свече зажигания.

Конструктивные узлы и органы Органы управления двигателем

Сравните изображение (Рисунок: 1, 2, 3) со своим двигателем, чтобы ознакомиться с расположением различных конструктивных узлов и органов управления.

- A. Идентификационные номера двигателя **Модель - Тип - Код**
- B. Свеча зажигания
- C. Воздушный фильтр
- D. Рукоятка пускового троса (если имеется)
- E. Щуп уровня масла
- F. Маслосливная пробка
- G. Глушитель, ограждение глушителя (если имеется), искрогаситель (если имеется)
- H. Решетка воздухозаборного отверстия
- I. Решетка воздухозаборного отверстия
- J. Масляный фильтр (если имеется)
- K. Электрический стартер (если имеется)
- L. Карбюратор
- M. Топливный фильтр (если имеется)
- N. Топливный насос (если имеется)
- O. Устройство быстрого слива масла (если имеется)
- P. Электронный блок управления (если имеется)

Знаки управления двигателем и пояснения к ним

Знак	Значение	Знак	Значение
	ВЫСОКИЕ обороты двигателя		НИЗКИЕ обороты двигателя

Знак	Значение	Знак	Значение
	Двигатель — ОСТАНОВ		Вкл. — Выкл.
	Запуск двигателя — Дроссельная заслонка ЗАКРЫТА		Запуск двигателя — Дроссельная заслонка ОТКРЫТА
	Крышка топливного бака Кран подачи топлива — ОТКРЫТ		Кран подачи топлива — ЗАКРЫТ
	Уровень топлива — Максимум Не допускайте переполнения		

Работа

Рекомендации по использованию масла

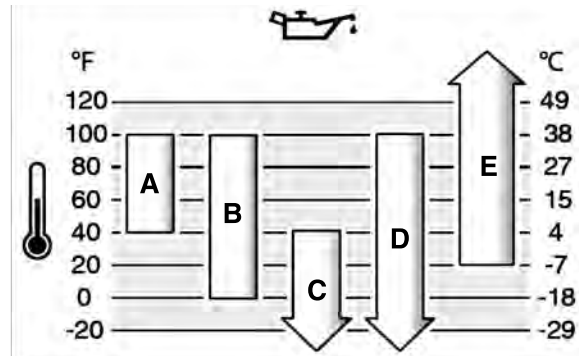
Количество масла: Смотрите раздел *Технические данные*.

ПРИМЕЧАНИЕ

Данный двигатель поставляется компанией Briggs & Stratton без масла. Производители оборудования или дилеры могут залить масло в двигатель. Перед первым запуском двигателя обязательно проверьте уровень масла и долейте масло в соответствии с инструкциями в данном руководстве. Гарантия не покрывает поломку двигателя, вызванную его запуском без масла.

Для обеспечения оптимальных эксплуатационных характеристик рекомендуется использовать сертифицированные компанией Briggs & Stratton масла. Допускается использование других высококачественных детергентных масел, если они классифицированы по категории SF, SG, SH, SJ или выше. Не используйте специальных присадок.

Температура окружающей среды определяет соответствующую вязкость моторного масла. Воспользуйтесь таблицей, чтобы выбрать наиболее подходящую вязкость масла для ожидаемого диапазона температур. Для большинства двигателей силового оборудования, используемого на открытом воздухе, хорошо подходит синтетическое масло 5W-30. Наиболее эффективную защиту оборудования, эксплуатируемого при высоких температурах, обеспечивает синтетическое масло Vanguard™ 15W-50.



A	SAE 30 — Использование масла SAE 30 при температуре ниже 4°C может привести к проблемам при запуске.
B	10W-30 - Использование масла 10W-30 при температуре выше 27°C может привести к повышенному расходу масла. Чаще проверяйте уровень масла.
C	5W-30
D	Синтетическое 5W-30
E	Синтетическое Vanguard™ 15W-50

Проверка уровня масла

Смотрите рисунок: 4

Перед доливом или проверкой уровня масла

- Проверьте, что двигатель установлен горизонтально.
- Очистите область заливки масла от загрязнений.

1. Извлеките масляной щуп (А, Рис. 4) и оботрите его чистой тряпкой.
2. Установите и затяните масляный щуп (А, Рис. 4).
3. Извлеките масляной щуп и проверьте уровень масла. Правильный уровень масла обозначен в верхней части индикатора заполнения (В, Рис. 4) на масляном щупе.
4. Если уровень масла является низким, то медленно долейте масло в маслозаливную горловину двигателя (С, Рис. 4). **Не допускайте переполнения.** После долива масла, обождите одну минуту, а затем повторно проверьте уровень масла.

Примечание: Запрещается доливать масло при наличии устройства быстрого слива масла, если имеется. Касательно расположения, смотрите раздел **Конструктивные узлы и органы управления.**

5. Установите обратно и затяните масляный щуп (А, Рис. 4).

Система защиты от низкого уровня масла (если имеется)

Некоторые двигатели оснащены датчиком низкого уровня масла. Если уровень масла является низким, то датчик, либо активирует сигнальную лампочку, либо останавливает работу двигателя. Остановите работу двигателя и выполните эти действия, прежде чем перезапустить двигатель.

- Проверьте, что двигатель установлен горизонтально.
- Проверьте уровень масла. Смотрите раздел **Проверка уровня масла.**
- Если уровень масла является низким, то долейте необходимое количество масла. Запустите двигатель и убедитесь, что сигнальная лампочка (если имеется) не активирована.
- Если уровень масла не является низким, то запускайте двигатель. За информацией о решении проблемы с маслом обратитесь к официальному дилеру компании Briggs & Stratton.

Рекомендации по топливу

Топливо должно отвечать следующим требованиям:

- Чистый, свежий, неэтилированный бензин.
- Октановое число не менее 87 (91 ДЮЧ). При использовании на большой высоте над уровнем моря см. ниже.
- Допускается использование бензина с содержанием этилового спирта до 10% (бензоспирт).

ПРИМЕЧАНИЕ Не используйте неразрешенные марки бензина, такие как Е15 и Е85. Не примешивайте масло в бензин и не модифицируйте двигатель для работы на другом топливе. Использование неразрешенных марок топлива станет причиной повреждения компонентов двигателя, которое не будет покрываться гарантийными обязательствами.

Чтобы избежать смолистых отложений в топливной системе, добавьте стабилизатор в топливо. Смотрите раздел **Хранение.** Не все виды топлива одинаковы. Если вы испытываете проблемы при запуске или работе двигателя, попробуйте использовать топливо от другого поставщика или другой марки. Данный двигатель сертифицирован для работы на бензине. Системой понижения токсичности выхлопа для данного двигателя является ЕМ-система (Engine Modifications).

Большая высота над уровнем моря

В условиях высоты более 1524 метров (5000 футов) над уровнем моря, допускается использование бензина с октановым числом не менее 85 (89 ДЮЧ).

Для двигателей с карбюратором потребуется регулировка для работы на большой высоте над уровнем моря для сохранения рабочих параметров. Эксплуатация без такой регулировки приведет к ухудшению работы, повышенному потреблению топлива и повышению токсичности выхлопа. За информацией о регулировке двигателя для работы на большой высоте над уровнем моря обратитесь к официальному дилеру Briggs & Stratton. Не рекомендуется эксплуатация двигателя, отрегулированного для большой высоты, на высоте ниже 762 метров.

Для двигателей с электронным впрыском топлива (EFI) не требуется регулировка для работы на большой высоте над уровнем моря.

Залив топлива

Смотрите рисунок: 5



ОСТОРОЖНО

Топливо и его пары легко воспламеняются и взрывоопасны.

Воспламенение или взрыв могут привести к тяжелым ожогам или смертельному исходу.

При доливе топлива:

- Заглушите двигатель, дайте ему остыть не менее 2 минут, и только после этого снимите крышку топливного бака.
- Заполнение топливного бака следует осуществлять за пределами помещения или в хорошо вентилируемом помещении.
- Не следует переполнять топливный бак. Принимая в расчет увеличение объема топлива, не заполняйте бак выше низа горлышка.
- Держите топливо вдали от искр, открытого огня, зажженных горелок и других источников возгорания.
- Регулярно проверяйте топливные трубки, бак, крышку и патрубки на наличие трещин и протечек. При необходимости замените.
- В случае пролива топлива, подождите, пока оно испарится, и только после этого запускайте двигатель.

1. Очистите область вокруг крышки топливного бака от грязи и мусора. Снимите крышку топливного бака.
2. Заполните топливный бак (А, Рис. 5) топливом. Принимая в расчет расширение топлива, не заполняйте бак выше низа горлышка (С).
3. Закройте крышкой горловину топливного бака.

Запуск и останов работы двигателя

Смотрите рисунок: 6

Запуск работы двигателя



ОСТОРОЖНО

Быстрое втягивание пускового троса (обратный удар) притянет Вашу кисть или руку к двигателю до того, как Вы успеете отпустить его.

Это может привести к переломам, ушибам и вывихам.

- При запуске двигателя, медленно тяните за ручку пускового троса до тех пор, пока не почувствуете сопротивление, а затем потяните ее резко, чтобы избежать обратного удара.



ОСТОРОЖНО

Топливо и его пары легко воспламеняются и взрывоопасны.

Воспламенение или взрыв могут привести к тяжелым ожогам или смертельному исходу.

При запуске двигателя

- Убедитесь, что кабель свечи зажигания, глушитель, крышка топливного бака и воздушный фильтр (если имеются) находятся на своих местах и надежно закреплены.
- Не допускается прокрутка двигателя, если свеча зажигания снята.
- Если произошел перелив топлива в карбюратор, и двигатель захлебывается, то установите рычаг управления воздушной заслонкой (если таковой имеется) в положение OPEN / RUN (Открыто / Работа), рычаг управления воздушной заслонкой (если имеется) в положение FAST (Быстро) и проворачивайте вал двигателя до тех пор, пока он не запустится.



ОСТОРОЖНО

ОПАСНОСТЬ ОТРАВЛЕНИЯ ЯДОВИТЫМИ ГАЗАМИ. Выхлопные газы содержат оксид углерода — ядовитый газ, который может убить за минуты. Этот газ НЕВОЗМОЖНО увидеть или почувствовать; он не имеет запаха. Даже если Вы не чувствуете запаха выхлопных газов, то Вы все еще можете быть подвержены действию угарного газа. Если Вы почувствуете тошноту, головокружение или слабость при использовании данного изделия, то выключите его и НЕМЕДЛЕННО выйдите на свежий воздух. Обратитесь к врачу. Возможно, Вы отравились угарным газом.

- Используйте оборудование ТОЛЬКО на открытом воздухе, на удалении от окон, дверей и вентиляционных отверстий, чтобы уменьшить потенциальную опасность накопления и втягивания угарного газа в помещения, где находятся люди.
- В соответствии с указаниями производителя, в помещениях следует установить и содержать в исправном состоянии датчики окиси углерода, работающие от батарей, или от сети с аварийным аккумуляторным источником питания. Аварийные датчики дыма не обнаруживают присутствие угарного газа.
- НЕ ДОПУСКАЕТСЯ запускать данное изделие внутри дома, гаража, подвала, туннеля, сарая или других частично закрытых пространствах, даже если используются вентиляторы или открыты окна и двери для проветривания. В таких местах угарный газ может быстро накапливаться и задерживаться на несколько часов, даже после выключения данного оборудования.
- ВСЕГДА устанавливайте данное изделие с подветренной стороны и направляйте выхлоп двигателя в сторону от зон пребывания людей.

ПРИМЕЧАНИЕ Данный двигатель был поставлен компанией Briggs & Stratton без масла. Перед запуском двигателя обязательно залейте масло в соответствии с инструкциями настоящего руководства. Если Вы запустите двигатель без масла, то он может быть поврежден до ремонтнепригодного состояния, которое не будет покрываться гарантией.

Определение системы запуска

Перед запуском двигателя необходимо определить тип системы запуска, которая установлена на Вашем двигателе. Ваш двигатель будет оснащен одной системой из следующих типов.

- **Система ReadyStart®:** Она выполняет функцию терморегулируемой воздушной заслонки с автоматическим управлением. Этот тип не имеет праймера.
- **Электронная система управления подачей топлива:** Она содержит электронный блок управления, который контролирует состояние двигателя и температурный режим. Она не имеет воздушной заслонки с ручным управлением или праймера.
- **Система с воздушной заслонкой:** Она оснащена воздушной заслонкой, которая подлежит использованию для запуска при холодных температурах. Некоторые модели будут оснащены отдельным рычагом управления воздушной заслонкой, в то время как другие будут иметь комбинированный рычаг управления воздушной / дроссельной заслонкой. Этот тип не имеет праймера.

Для запуска двигателя выполните инструкции, относящиеся к Вашему типу системы запуска.

Примечание: Оборудование может иметь органы дистанционного управления. Касательно расположения и работы органов дистанционного управления, смотрите руководство по эксплуатации оборудования.

Система ReadyStart®

1. Проверьте уровень моторного масла. Смотрите раздел **Проверка уровня масла**.
2. Убедитесь, что рычаги управления приводом оборудования, если они установлены, отключены.
3. Поверните краник подачи топлива (А, Рис. 6), если имеется, в положение OPEN (Открыто).
4. Переместите рычаг дроссельного регулирования (В, Рис. 6), если имеется, в положение FAST (Быстро). Управляйте двигателем в положении FAST (Быстро).

Примечание: Для запуска при температурах холодной погоды (ниже 32°F), переместите комбинированный рычаг управления воздушной / дроссельной заслонкой (В С, Рис. 6) в положение CHOKE (Дросселирование).

5. **Выключатель с ключом, если имеется:** Поверните ключ выключателя (D, Рис. 6) в положение ON / START (Вкл. / Пуск).

Кнопка START / STOP (Пуск / Стоп), если имеется: Нажмите кнопку START / STOP (Пуск / Стоп) (F, Рис. 6).

ПРИМЕЧАНИЕ Чтобы продлить срок службы стартера, используйте короткие циклы запуска (максимум по пять секунд). Выдерживайте одну минуту между циклами запуска.

Примечание: Если двигатель не запускается после нескольких попыток, то обратитесь к своему местному дилеру или перейдите по ссылке **BRIGGSandSTRATTON.com** или позвоните по телефону **1-800-233-3723** (в США).

Электронная система управления подачей топлива

1. Проверьте уровень моторного масла. Смотрите раздел **Проверка уровня масла**.

2. Убедитесь, что рычаги управления приводом оборудования, если они установлены, отключены.
3. Поверните краник подачи топлива (А, Рис. 6), если имеется, в положение OPEN (Открыто).
4. Переместите рычаг дроссельного регулирования (В, Рис. 6), если имеется, в положение FAST (Быстро). Управляйте двигателем в положении FAST (Быстро).
5. **Ручной стартер, если имеется:** Поверните ключ выключателя (D, Рис. 6) в положение ON / START (Вкл. / Пуск).
6. **Ручной стартер, если имеется:** Крепко возьмитесь за рукоятку пускового троса (Е, Рис. 6). Медленно потяните за рукоятку, пока не почувствуете сопротивление, а затем быстро дерните.



ОСТОРОЖНО

Быстрое втягивание пускового троса (обратный ход) притянет Вашу кисть или руку к двигателю до того, как Вы успеете отпустить его. Это может привести к переломам, ушибам и вывихам. При запуске двигателя, медленно тяните за ручку пускового троса до тех пор, пока не почувствуете сопротивление, а затем потяните ее резко, чтобы избежать обратного удара.

7. **Электрический стартер, если имеется:** Поверните ключ выключателя (D, Рис. 6) в положение ON / START (Вкл. / Пуск).

ПРИМЕЧАНИЕ Чтобы продлить срок службы стартера, используйте короткие циклы запуска (максимум по пять секунд). Выдерживайте одну минуту между циклами запуска.

Примечание: Если двигатель не запускается после нескольких попыток, то обратитесь к своему местному дилеру или перейдите по ссылке **BRIGGSandSTRATTON.com** или позвоните по телефону **1-800-233-3723** (в США).

Система с воздушной заслонкой

1. Проверьте уровень моторного масла. Смотрите раздел **Проверка уровня масла**.
2. Убедитесь, что рычаги управления приводом оборудования, если они установлены, отключены.
3. Поверните краник подачи топлива (А, Рис. 6), если имеется, в положение OPEN (Открыто).
4. Переместите рычаг дроссельного регулирования (В, Рис. 6), если имеется, в положение FAST (Быстро). Управляйте двигателем в положении FAST (Быстро).
5. Переместите рычаг управления воздушной заслонкой (С, Рис. 6) в положение CLOSED (Закрыто). Для моделей с комбинированным рычагом управления воздушной / дроссельной заслонкой (В С), переместите этот рычаг в положение CHOKE (Дросселирование).

Примечание: Обычно нет необходимости в воздушной заслонке при повторном запуске еще теплого двигателя.

6. **Ручной стартер, если имеется:** Поверните ключ выключателя (D, Рис. 6) в положение ON / START (Вкл. / Пуск).
7. **Ручной стартер, если имеется:** Крепко возьмитесь за рукоятку пускового троса (Е, Рис. 6). Медленно потяните за рукоятку, пока не почувствуете сопротивление, а затем быстро дерните.



ОСТОРОЖНО

Быстрое втягивание пускового троса (обратный ход) притянет Вашу кисть или руку к двигателю до того, как Вы успеете отпустить его. Это может привести к переломам, ушибам и вывихам. При запуске двигателя, медленно тяните за ручку пускового троса до тех пор, пока не почувствуете сопротивление, а затем потяните ее резко, чтобы избежать обратного удара.

8. **Электрический стартер, если имеется:** Поверните ключ выключателя (D, Рис. 6) в положение ON / START (Вкл. / Пуск).

ПРИМЕЧАНИЕ Чтобы продлить срок службы стартера, используйте короткие циклы запуска (максимум по пять секунд). Выдерживайте одну минуту между циклами запуска.

9. Когда двигатель разогреется, переместите рычаг управления воздушной заслонкой (С, Рис. 6) в положение OPEN (Открыто). Для моделей с комбинированным рычагом управления воздушной / дроссельной заслонкой (В С), переместите этот рычаг в положение FAST (Быстро).

Примечание: Если двигатель не запускается после нескольких попыток, то обратитесь к своему местному дилеру или перейдите по ссылке **BRIGGSandSTRATTON.com** или позвоните по телефону **1-800-233-3723** (в США).

Останов работы двигателя



Топливо и его пары легко воспламеняются и взрывоопасны.

Воспламенение или взрыв могут привести к тяжелым ожогам или смертельному исходу.

- Не перекрывайте заслонку карбюратора, чтобы заглушить двигатель.
1. **Выключатель с ключом, если имеется:** При нахождении рычага дроссельного регулирования в положении FAST (Быстро), поверните ключ выключателя (D, Рис. 6) в положение OFF (Выкл.). Извлеките ключ, и храните его в надежном месте, недоступном для детей.
Кнопка START / STOP (Пуск / Стоп), если имеется: При нахождении рычага дроссельного регулирования в положении FAST (Быстро), нажмите кнопку START / STOP (Пуск / Стоп) (F, Рис. 6).
 2. После останова двигателя, поверните краник подачи топлива (A, Рис. 6), если имеется, в положение CLOSED (Закрыто).

Техническое обслуживание

ПРИМЕЧАНИЕ Если для выполнения техобслуживания потребуется наклон двигателя, то топливный бак, если он установлен на двигателе, должен быть опорожнен, а сторона со свечей зажигания должна быть обращена вверх. Если топливный бак не опорожнен, а двигатель наклонен в любом направлении, в дальнейшем могут быть проблемы с запуском двигателя из-за загрязнения маслом или бензином воздушного фильтра и/или свечи зажигания.



Если для выполнения техобслуживания потребуется наклон машины, то топливный бачок должен быть опорожнен, в противном случае топливо может вытекать, что приведет к пожару или взрыву.

Мы рекомендуем обращаться к любому уполномоченному сервисному дилеру от компании Briggs & Stratton для выполнения всех работ по техническому обслуживанию двигателя и его компонентов.

ПРИМЕЧАНИЕ Все компоненты, используемые для сборки данного двигателя, должны оставаться на своем месте для его надлежащей работы.



Случайное образование искры может привести к пожару или поражению электрическим током.

Случайный запуск может привести к захватыванию, травматической ампутации различных частей тела или к образованию рваных ран.

Риск возникновения пожара

Перед выполнением регулировок или ремонта:

- Отсоедините провод от свечи зажигания и отведите его от свечи.
- Отсоедините отрицательный вывод аккумулятора (только для двигателей с электростартером).
- Используйте только подходящие инструменты.
- НЕ меняйте настройку пружины регулятора, тяг и иных деталей, чтобы увеличить скорость работы двигателя.
- Запасные детали должны быть такими же и устанавливаться на то же самое место, что и первоначальные детали. Использование неоригинальных запасных частей может стать причиной ухудшения работы, повреждения машины и травмирования людей.
- Запрещается ударять по маховику молотком или твердым предметом, поскольку маховик может позже разорваться во время эксплуатации двигателя.

При проверке системы зажигания:

- Используйте только тестеры свечей зажигания, соответствующие техническим требованиям.
- Не проверяйте наличие искры при снятой свече зажигания.

Услуга по регулированию выхлопа

Техническое обслуживание, замена или ремонт устройств и систем снижения токсичности выхлопных газов может быть выполнено любым специалистом или мастерской по ремонту двигателей для внедорожных транспортных средств. Однако, для получения "бесплатной" услуги по регулированию выхлопа,

работа должна быть выполнена уполномоченным заводом-изготовителем дилером. Смотрите "Заявления по регулированию выхлопа".

График технического обслуживания

После первых 5 часов работы
<ul style="list-style-type: none">• Замена масла ³
Через каждые 8 часов работы или ежедневно
<ul style="list-style-type: none">• Проверка уровня моторного масла• Очистка зоны вокруг глушителя и органов управления• Очистка решетки воздухозаборного отверстия
Через каждые 25 часов работы или ежегодно
<ul style="list-style-type: none">• Очистка воздушного фильтра ¹• Очистка фильтра предварительной очистки (если имеется) ¹
Через каждые 50 часов работы или ежегодно
<ul style="list-style-type: none">• Замена моторного масла ⁴• Замена масляного фильтра (если имеется) ⁴• Обслуживание выхлопной системы
Через каждые 100 часов работы или ежегодно
<ul style="list-style-type: none">• Замена моторного масла ⁵• Замена масляного фильтра (если имеется) ⁵
Ежегодно
<ul style="list-style-type: none">• Замена свечи зажигания• Замена воздушного фильтра• Замена предварительного очистителя (если имеется)• Замена топливного фильтра (если имеется)• Обслуживание топливной системы• Обслуживание системы охлаждения ¹• Проверка зазора клапана ²

¹ В условиях сильной запыленности или при наличии в воздухе частичек сора, очистку следует выполнять более часто.

² Не требуется, пока не будут замечены проблемы работы двигателя.

³ Только двигатели без масляного фильтра.

⁴ Двигатель без масляного фильтра или со стандартным масляным фильтром черного цвета (касательно номера детали, смотрите раздел **Технические данные**).

⁵ Двигатель с высокоэффективным масляным фильтром желтого или оранжевого цвета (касательно номера детали, смотрите раздел **Технические данные**).

Электронная система управления подачей топлива

Электронная система управления подачей топлива контролирует температуру двигателя, частоту вращения двигателя и напряжение аккумуляторной батареи во время запуска и прогрева двигателя. В этой системе отсутствуют какие-либо регулировки. Если возникают проблемы при запуске и работе двигателя, то обращайтесь, пожалуйста, к уполномоченному дилеру от компании Briggs & Stratton.

ПРИМЕЧАНИЕ Проверьте, что выполнили указанные ниже действия, в противном случае электронная система управления подачей топлива может быть повреждена.

- Никогда не запускайте двигатель, если клеммы проводов аккумуляторной батареи не затянуты.
- Поверните ключ в положение OFF (Выкл.) перед отсоединением, снятием или установкой аккумуляторной батареи.
- Никогда не используйте зарядное устройство для аккумуляторных батарей для запуска двигателя.
- Никогда не отсоединяйте провода аккумуляторной батареи, когда двигатель работает.
- При подсоединении проводов аккумуляторной батареи, первым подсоединяйте положительный (+) провод, а затем подсоединяйте отрицательный (-) провод к аккумуляторной батарее.
- Во время зарядки аккумуляторной батареи, поверните ключ зажигания в положение OFF (Выкл.) и отсоедините отрицательный (-) провод от аккумуляторной батареи.

- Не допускайте попадания брызг воды непосредственно на блок электронного управления.

Карбюратор и число оборотов двигателя

Никогда не выполняйте регулировки карбюратора или числа оборотов двигателя. Карбюратор был отрегулирован на заводе-изготовителе для эффективной работы для большинства условий эксплуатации. Запрещается вмешиваться в работу пружины регулятора, тяг и иных деталей, чтобы изменить число оборотов двигателя. Если потребуются какие-либо регулировки, то обращайтесь для этого к уполномоченному сервисному дилеру от компании Briggs & Stratton.

ПРИМЕЧАНИЕ Производитель оборудования определяет максимальное число оборотов двигателя, который установлен на оборудовании. **Не допускается превышение** этого числа оборотов. Если Вы не уверены, каким является максимальное число оборотов для данного оборудования, или какое число оборотов двигателя установлено на заводе-изготовителе, то обращайтесь за поддержкой к уполномоченному сервисному дилеру от компании Briggs & Stratton. Для безопасной и надлежащей работы данного оборудования число оборотов двигателя должно регулироваться только квалифицированным техником по обслуживанию.

Обслуживание свечи зажигания

Смотрите рисунок: 7

Проверьте зазор (А, Рис. 7) с помощью проволочного калибра (В). При необходимости, повторно отрегулируйте зазор. Установите и затяните свечу зажигания с рекомендованным моментом затяжки. Касательно регулировки зазора или момента затяжки, смотрите раздел **Технические данные**.

Примечание: В некоторых районах местные законы требуют использования резисторной свечи зажигания для подавления помех от системы зажигания. Если на данном двигателе была изначально установлена резисторная свеча зажигания, то для замены необходимо использовать свечу зажигания того же типа.

Снятие выхлопной системы



ОСТОРОЖНО

Работающий двигатель нагревается. Детали двигателя, особенно глушитель, нагреваются до очень высокой температуры.

Прикосновение к ним может привести к сильным ожогам.

Воспламеняемый мусор, например листья, трава, хвост и т.п., могут загореться.

- Прежде чем прикасаться, дайте время глушителю, цилиндрам двигателя и ребрам радиатора остыть.
- Извлеките накопившийся воспламеняемый мусор из глушителя и области цилиндров.
- Использование или эксплуатация двигателя на территории, покрытой лесом, кустарниками или травой, без оснащения системы выхлопных газов искрогасителем и поддержки его в рабочем состоянии, является нарушением норматива Public Resource Code, раздел 4442, штата Калифорния. В других штатах или федеральных юрисдикциях могут действовать подобные законы. Для приобретения искрогасителя, рассчитанного на выхлопную систему, установленную на двигателе, обратитесь к производителю оригинального оборудования, розничному продавцу или дилеру.

Извлеките накопившийся воспламеняемый мусор из глушителя и области цилиндров. Осмотрите глушитель на предмет наличия трещин, коррозии или других повреждений. Снимите искроуловитель, если он установлен, и осмотрите на наличие повреждений или скопившегося нагара. В случае обнаружения повреждения, установите до начала эксплуатации запасные детали.



ОСТОРОЖНО

Запасные детали должны быть такими же и устанавливаться на то же самое место, что и первоначальные детали. Использование неоригинальных запасных частей может стать причиной ухудшения работы, повреждения машины и травмирования людей.

Замена моторного масла

Смотрите рисунок: 8, 9, 10, 11

Отработанное масло представляет собой опасные отходы и должно утилизироваться надлежащим образом. Его не следует утилизировать как обычные бытовые отходы. Обратитесь в местные органы власти, сервисный центр или к дилеру по вопросу безопасной утилизации и повторной переработки.

Слив масла

1. Пока двигатель еще теплый, отсоедините провод свечи зажигания (D, Рис. 8) и удерживайте его в стороне от свечи зажигания (E).
2. Извлеките масляный щуп (A, Рис. 9).

Колпачок маслосливного отверстия, если имеется

1. Выкрутите маслосливную пробку (F, Рис. 10). Слейте масло в подходящую для этого емкость.

Примечание: Любая из маслосливных пробок (G, Рис. 10) может быть установлена в двигателе.

2. После слива масла, установите и затяните маслосливную пробку (F, Рис. 10).

Устройство быстрого слива масла, если имеется

1. Отсоедините шланг устройства быстрого слива масла (H, Рис. 11) от боковой стороны двигателя.
2. Открутите и снимите колпачок маслосливного отверстия (I, Рис. 11). Осторожно опустите устройство быстрого слива масла (H) в разрешенный контейнер (J).
3. После слива масла, установите и затяните колпачок маслосливного отверстия (I, Рис. 11). Подсоедините шланг устройства быстрого слива масла (H) к боковой стороне двигателя.

Замена масляного фильтра, если имеется

На некоторых моделях имеется масляный фильтр. Касательно интервалов замены смотрите **График технического обслуживания**.

1. Слейте масло из двигателя. Смотрите раздел **Слив масла**.
2. Демонтируйте масляный фильтр (K, Рис. 9) и утилизируйте его надлежащим образом.
3. Перед установкой нового фильтра слегка смажьте уплотнительную прокладку свежим, чистым маслом.
4. Установите масляный фильтр вручную таким образом, чтобы уплотняющая прокладка соприкасалась с адаптером фильтра, а затем закрутите фильтр на 1/2-3/4 оборота.
5. Долейте масло. Смотрите раздел **Долив масла**.
6. Запустите двигатель и дайте ему поработать некоторое время. Когда мотор прогреется, проверьте, нет ли протечек.
7. Остановите двигатель и проверьте уровень масла. Правильный уровень масла обозначен в верхней части индикатора заполнения (B, Рис. 9) на масляном щупе.

Долив масла

- Проверьте, что двигатель установлен горизонтально.
- Очистите область заливки масла от загрязнений.
- Касательно вместимости масляного бака, смотрите раздел **Технические данные**.

1. Извлеките масляный щуп (A, Рис. 9) и оботрите его чистой тряпкой.
2. Медленно залейте масло в маслосливное отверстие двигателя (C, Рис. 9). **Не допускайте переполнения.** После заливки масла подождите одну минуту и проверьте уровень масла.

Примечание: Запрещается доливать масло при наличии устройства быстрого слива масла (H, Рис. 11), если имеется.

3. Установите и затяните масляный щуп (A, Рис. 9).
4. Извлеките масляный щуп и проверьте уровень масла. Правильный уровень масла обозначен в верхней части индикатора заполнения (B, Рис. 9) на масляном щупе.
5. Установите обратно и затяните масляный щуп (A, Рис. 9).
6. Подсоедините провод свечи зажигания (D, Рис. 8) к свече зажигания (E).

Обслуживание воздушного фильтра

Смотрите рисунок: 12, 13



ОСТОРОЖНО

Топливо и его пары легко воспламеняются и взрывоопасны.

Воспламенение или взрыв могут привести к тяжелым ожогам или смертельному исходу.

- Никогда не запускайте и не оставляйте двигатель работающим, если снята система очистки воздуха или воздушный фильтр (если таковые имеются).

ПРИМЕЧАНИЕ Не используйте сжатый воздух или растворители для чистки фильтра. Сжатый воздух может повредить фильтр, а растворители – привести к его разложению.

Касательно требований к обслуживанию, смотрите раздел **График технического обслуживания**.

В различных моделях используется, либо пена, либо бумажный фильтр. Некоторые модели оборудованы также фильтром предварительной очистки, который можно использовать повторно после промывки. Сравните иллюстрации в настоящем руководстве со своим двигателем и выполните обслуживание как изложено ниже.

Бумажный воздушный фильтр

1. Потяните вверх рукоятку крышки (А, Рис. 12). Поверните рукоятку крышки в направлении двигателя, а затем снять крышку (В).
2. Извлеките фильтр предварительной очистки (С, Рис. 12), если имеется, и фильтр (D).
3. Чтобы высвободить попавший в него мусор, слегка постучите фильтром (D, Рис. 12) по твердой поверхности. Если фильтр чрезмерно загрязнен, то замените его новым.
4. Вымойте фильтр предварительной очистки (С, Рис. 12) в воде с жидким моющим средством. Дайте фильтру предварительной очистки (С) полностью просохнуть на воздухе. **Не допускается** смазывание маслом фильтра предварительной очистки.
5. Вставьте сухой фильтр предварительной очистки (С, Рис. 12) и фильтр (D) в основание двигателя (Е).
6. Совместите выступы (F, Рис. 12) на крышке (В) с прорезями (G) в корпусе нагнетательного вентилятора.
7. Поверните рукоятку крышки (А, Рис. 12) назад и вдавите вниз для фиксации на своем месте.

Бумажный воздушный фильтр

1. Ослабьте затяжку крепления(й) (А, Рис. 13).
2. Снимите крышку (В, Рис. 13).
3. Для снятия фильтра (С, Рис. 13), поднимите конец фильтра, а затем вытащите фильтр из воздухозаборного отверстия (D).
4. Чтобы высвободить попавший в него мусор, слегка постучите фильтром (С, Рис. 13) по твердой поверхности. Если фильтр чрезмерно загрязнен, то замените его новым.
5. Извлеките фильтр предварительной очистки (Е, Рис. 13), если имеется, из фильтра (С).
6. Вымойте фильтр предварительной очистки (Е, Рис. 13), если имеется, в воде с жидким моющим средством. Дайте фильтру предварительной очистки полностью просохнуть на воздухе. **Не допускается** смазывание маслом фильтра предварительной очистки.
7. Вставьте сухой фильтр предварительной очистки (Е, Рис. 13), если имеется, в фильтр (С).
8. Установите фильтр (С, Рис. 13) и воздухозаборное отверстие (D). Вдавите конец фильтра вниз в основание двигателя. Убедитесь, что фильтр надежно зафиксирован на основании двигателя.
9. Установите крышку воздушного фильтра (В, Рис. 13) и зафиксируйте крепежным элементом(ами) (А).

Обслуживание топливной системы

Смотрите рисунок: 14, 15



ОСТОРОЖНО

Топливо и его пары легко воспламеняются и взрывоопасны.

Воспламенение или взрыв могут привести к тяжелым ожогам или смертельному исходу.

- Держите топливо вдали от искр, открытого огня, зажженных горелок и других источников возгорания.
- Регулярно проверяйте топливные трубки, бак, крышку и патрубки на наличие трещин и протеканий. При необходимости замените.
- Перед чисткой или заменой топливного фильтра, слейте топливо из топливного бака или закройте кран подачи топлива.
- В случае пролива топлива, подождите, пока оно испарится, и только после этого запускайте двигатель.
- Запасные части должны быть аналогичны оригинальным и устанавливаться в том же положении.

Топливный фильтр (если установлен)

1. Перед очисткой или заменой топливного фильтра (А, Рис. 14), слейте топливо из топливного бака или закройте кран подачи топлива. В противном случае топливо может вытечь и стать причиной пожара или взрыва.
2. Воспользуйтесь плоскогубцами для сжатия выступов (В, Рис. 14) на зажимах (С), а затем сдвиньте зажимы в сторону от топливного фильтра (А). Скрутите и стяните топливопроводы (D) с топливного фильтра.
3. Проверьте топливопроводы (D, Рис. 14) на отсутствие трещин или утечек. При необходимости замените.
4. Замените топливный фильтр (А, Рис. 14) на оригинальный запасной фильтр.
5. Зафиксируйте топливопроводы (D, Рис. 14) с помощью зажимов (С), как показано на рисунке.

Топливный фильтр (если установлен)

1. Снимите крышку топливного бака (А, Рис. 15).
2. Извлеките фильтр грубой очистки топлива (В, Рис. 15).
3. Если фильтр грубой очистки топлива загрязнен, то очистите или замените его. В случае замены фильтра грубой очистки топлива убедитесь, что для замены используется оригинальный фильтр.

Обслуживание системы охлаждения



ОСТОРОЖНО

Работающий двигатель нагревается. Детали двигателя, особенно глушитель, нагреваются до очень высокой температуры.

Прикосновение к ним может привести к сильным ожогам.

Воспламеняемый мусор, например листья, трава, хворост и т.п., могут загореться.

- Прежде чем прикасаться, дайте время глушителю, цилиндрам двигателя и ребрам радиатора остыть.
- Извлеките накопившийся воспламеняемый мусор из глушителя и области цилиндров.

ПРИМЕЧАНИЕ Не допускается использование воды для очистки двигателя. Вода может попасть в топливную систему. Используйте щетку или сухую тряпку для очистки двигателя.

Это двигатель с воздушным охлаждением. Грязь или сор может воспрепятствовать потоку воздуха и стать причиной перегрева двигателя, что приведет к ухудшению рабочих характеристик и сокращению срока службы двигателя.

1. Используйте щетку или сухую тряпку для удаления сора из зоны воздухозаборного отверстия.
2. Содержите все тяги, пружины и регуляторы управления в чистоте.
3. Не допускайте накопления воспламеняемых загрязнений в пространстве вокруг глушителя и за ним.
4. Убедитесь, что охлаждающие ребра масляного радиатора свободны от грязи и мусора.

Со временем сор может скопиться в ребрах охлаждения цилиндра и стать причиной перегрева двигателя. Этот сор не возможно увидеть без частичной разборки двигателя. Поручите уполномоченному сервисному дилеру компании Briggs & Stratton осмотр и очистку системы воздушного охлаждения, как рекомендовано в разделе **График технического обслуживания**.

Хранение



Топливо и его пары легко воспламеняются и взрывоопасны.

Воспламенение или взрыв могут привести к тяжелым ожогам или смертельному исходу.

При хранении топлива или оборудования с топливом в баке

- Храните топливо и оборудование вдали от котлов, печей, водонагревателей и прочих приборов, в которых используются горелки или иные источники воспламенения, поскольку это может привести к воспламенению паров топлива.

Топливная система

Смотрите рисунок: 16

Храните двигатель на ровной горизонтальной поверхности (в нормальном рабочем положении). Заполнение топливного бака (А, Рис. 16) топливом. Чтобы учесть тепловое расширение топлива, не заполняйте топливный бак выше нижней части горловины (В).

Топливо может застыть, если оно хранится более 30 дней. Застоявшееся топливо приводит к образованию кислотных и смолистых отложений в топливной системе и на важных деталях карбюратора. Для предотвращения застывания топлива используйте **топливную добавку-стабилизатор Briggs & Stratton с улучшенной формулой**, которая продается в местах продаж оригинальных запчастей Briggs & Stratton.

Если стабилизатор топлива используется в соответствии с инструкциями, нет необходимости сливать бензин из двигателя. Перед хранением запустите двигатель и дайте ему поработать 2 (две) минуты, чтобы стабилизатор прошел через топливную систему.

Если стабилизатор не был добавлен в топливо, необходимо слить топливо из двигателя в соответствующую емкость. Запустите двигатель и дождитесь, пока он остановится из-за полной выработки топлива. Рекомендуется также добавлять стабилизатор в емкость для хранения топлива с целью сохранения его качественных характеристик.

Моторное масло

Заменяйте моторное масло, когда двигатель еще теплый. Смотрите раздел **Замена моторного масла**.

Устранение неисправностей

Для получения технической поддержки обратитесь к своему местному дилеру или перейдите по ссылке **BRIGGSandSTRATTON.com** или позвоните по телефону **1-800-233-3723** (в США).

Технические данные

Модель: 210000	
Объем двигателя	21.01 ci (344 cc)
Диаметр цилиндра	3.437 in (87,30 mm)
Ход поршня	2.264 in (57,51 mm)
Вместимость масла - без фильтра	42 - 44 oz (1,24 - 1,30 L)
Вместимость масла - с фильтром	46 - 48 oz (1,36 - 1,40 L)
Зазор свечи зажигания	0.030 in (0,76 mm)
Момент затяжки свечи зажигания	180 lb-in (20 Nm)
Воздушный зазор катушки	0.010 - 0.014 in (0,25 - 0,36 mm)
Зазор впускного клапана	0.003 - 0.005 in (0,08 - 0,13 mm)
Зазор выпускного клапана	0.005 - 0.007 in (0,13 - 0,18 mm)

Модель: 310000	
Объем двигателя	30.59 ci (501 cc)
Диаметр цилиндра	3.563 in (90,49 mm)
Ход поршня	3.062 in (77,77 mm)
Вместимость масла - без фильтра	42 - 44 oz (1,24 - 1,30 L)

Модель: 310000	
Вместимость масла - с фильтром	46 - 48 oz (1,36 - 1,40 L)
Зазор свечи зажигания	0.030 in (0,76 mm)
Момент затяжки свечи зажигания	180 lb-in (20 Nm)
Воздушный зазор катушки	0.010 - 0.014 in (0,25 - 0,36 mm)
Зазор впускного клапана	0.003 - 0.005 in (0,08 - 0,13 mm)
Зазор выпускного клапана	0.005 - 0.007 in (0,13 - 0,18 mm)

Мощность двигателя будет снижаться на 3.5% для каждых 1000 футов (300 метров) выше уровня моря и на 1% для каждых 10°F (5.6°C) выше 77°F (25°C). Двигатель будет работать удовлетворительно под углом до 15°. Смотрите руководство по эксплуатации оборудования по безопасным допускам для работы на склонах.

Запасные части - Модель: 210000	
Запасная часть	Номер детали
Воздушный фильтр, бумажный (см. Рис. 13)	796032
Воздушный фильтр предварительной очистки, поролоновый (см. Рис. 13)	798911
Воздушный фильтр, бумажный (см. Рис. 12)	698413, 5079
Воздушный фильтр предварительной очистки, поролоновый (см. Рис. 12)	697292, 5079
Масло - SAE 30 (20 унций, 0,6 л)	100005
Масло - SAE 30 (48 унций, 1,4 л)	100028
Масляный фильтр	492932
Стабилизатор/модификатор топлива усовершенствованного состава	100117, 100120
Топливный фильтр - двигатель без топливного насоса)	394358, 5098
Топливный фильтр - двигатель с топливным насосом	691035, 5065
Резисторная свеча зажигания	491055
Долговечная свеча зажигания с платиновым центральным электродом	5066
Ключ для свечи зажигания	89838, 5023
Индикатор работы свечи	19368

Запасные части - Модель: 310000	
Запасная часть	Номер детали
Воздушный фильтр, бумажный (см. Рис. 13)	796031
Воздушный фильтр предварительной очистки, поролоновый (см. Рис. 13)	797704
Воздушный фильтр, бумажный (см. Рис. 12)	698083, 5077
Воздушный фильтр предварительной очистки, поролоновый (см. Рис. 12)	697015, 5077
Воздушный фильтр, плоский моющийся	697153, 5078
Масло - SAE 30 (20 унций, 0,6 л)	100005
Масло - SAE 30 (48 унций, 1,4 л)	100028
Масляный фильтр, стандартный - черного цвета	492932
Масляный фильтр, высокоэффективный - желтого цвета	795890
Масляный фильтр, высокоэффективный - оранжевого цвета	798576
Стабилизатор/модификатор топлива усовершенствованного состава	100117, 100120
Топливный фильтр - двигатель без топливного насоса)	394358, 5098
Топливный фильтр - двигатель с топливным насосом	691035, 6065
Резисторная свеча зажигания	491055
Долговечная свеча зажигания с платиновым центральным электродом	5066
Ключ для свечи зажигания	89838, 5023
Индикатор работы свечи	19368

Мы рекомендуем обращаться к любому уполномоченному сервисному дилеру от компании Briggs & Stratton для выполнения всех работ по техническому обслуживанию двигателя и его компонентов.

Номинальная мощность. Полная мощность отдельных моделей бензиновых двигателей указывается согласно стандарту SAE J1940 (Small Engine Power & Torque Rating Procedure) и оценивается в соответствии со стандартом SAE J1995. Для двигателей с указанными на них оборотами указано значение крутящего момента при 2600 об/мин, для всех остальных двигателей – при 3060 об/мин; значение мощности в лошадиных силах измерялось при 3600 об/мин. Кривые полезной мощности доступны на сайте www.BRIGGSandSTRATTON.COM. Значения мощности нетто указаны при установленных глушителе и воздухоочистителе, в то время как значения валовой мощности (брутто) указаны без этих принадлежностей. Фактическая валовая мощность двигателя будет ниже; она зависит, помимо прочего, от условий эксплуатации и конкретного экземпляра двигателя. Учитывая широкий диапазон продукции, которая оснащается двигателями, бензиновый двигатель может не развивать полную мощность по стандарту при эксплуатации на отдельном силовом оборудовании. Эта разница вызвана множеством факторов, включая, среди прочего, используемые принадлежности (очиститель воздуха, выхлопная система, зарядка, охлаждение, карбюратор, топливный насос и т.д.), ограничения в применении, условия эксплуатации (температура, влажность, высота) и разницу между отдельными экземплярами двигателей. В связи с производственными и техническими ограничениями компания Briggs & Stratton может заменять данный двигатель двигателем с более высокой номинальной мощностью.

Гарантия

Гарантия на двигатель компании Briggs & Stratton

Действует с января 2017 г.

Ограничение объема гарантийных обязательств

Компания Briggs & Stratton обязуется в течение гарантийного периода, определенного ниже, производить бесплатный ремонт или замену любых деталей, имеющих дефекты материала и/или производственные дефекты. Транспортные расходы, связанные с доставкой изделий, отправляемых для ремонта или замены по настоящей гарантии, должен нести покупатель. Гарантия действительна для сроков и условий, указанных ниже. Для проведения гарантийного обслуживания обратитесь к официальному дистрибьютору компании Briggs & Stratton. Найдите ближайшего дистрибьютора с помощью нашей карты поиска дилеров на веб-сайте BRIGGSandSTRATTON.COM. Покупателю необходимо связаться с уполномоченным сервисным дилером компании Briggs & Stratton и предоставить оборудование для осмотра и проверки.

Прочих прямых гарантий не существует. Подразумеваемые гарантии, включая гарантии коммерческой пригодности и соответствия конкретному применению, ограничены гарантийным периодом, указанным ниже, а также гарантийным объемом, предусмотренным законодательством. Ответственность за случайный или косвенный ущерб исключается в степени, предусмотренной законодательством. В некоторых штатах или странах запрещено ограничивать период действия подразумеваемой гарантии, а в некоторых штатах или странах запрещено исключать или ограничивать ответственность за случайный или косвенный ущерб. Таким образом, приведенные выше исключения и ограничения, возможно, не будут распространяться на вас. Данная гарантия предоставляет вам определенные законные права, помимо которых вы можете также иметь другие права, которые могут отличаться в различных штатах и странах ⁴.

Стандартные сроки гарантии 1, 2, 3

Фирменный знак / Наименование изделия	Личное использование	Коммерческое использование
Vanguard™; коммерческая серия	36 месяцев	36 месяцев
Двигатели, оснащенные чугунной муфтой Dura-Bore™	24 месяца	12 месяцев
Все другие двигатели	24 месяца	3 месяца

¹ Настоящие гарантийные условия представляют собой стандартные условия нашей гарантии, но в некоторых случаях может быть введено дополнительное гарантийное покрытие, которое не было определено на момент данной публикации. Касательно информации по текущим гарантийным условиям для вашего двигателя, пожалуйста, посетите веб-сайт: BRIGGSandSTRATTON.com или обратитесь к своему уполномоченному сервисному дилеру компании Briggs & Stratton.

² Гарантия не распространяется на двигатель в составе оборудования, используемого в качестве первичного источника энергии вместо сетевого электропитания или в качестве резервных генераторов, используемых для коммерческих целей. На двигатели, используемые на спортивно-гоночных автомобилях, на коммерческих или арендуемых транспортных средствах, гарантия не распространяется.

³ Vanguard, установленный на резервных генераторах: 24 месяца для личного использования, гарантия не предоставляется для коммерческого использования. Vanguard, установленный на грузовом транспорте: 24 месяца для личного использования, 24 месяца для коммерческого использования. Коммерческая серия с датой производства до июля 2017 г., 24 месяца для личного использования, 24 месяца для коммерческого использования.

⁴ Для Австралии — наша продукция обеспечивается гарантиями, которые не могут быть исключены согласно закону Австралии о защите прав потребителей. Вы имеете право на замену изделия или на возврат уплаченной за него суммы в случае серьезной неисправности, а также на компенсацию за прочие обоснованные прогнозируемые потери и убытки. Кроме того, вы имеете право на ремонт изделий или их замену, в случае если их качество неприемлемо, а неисправность является незначительной. Для получения гарантийного обслуживания найдите ближайшего уполномоченного сервисного дилера с помощью нашей карты поиска дилеров на веб-сайте BRIGGSandSTRATTON.com, позвоните по телефону 1300 274 447, свяжитесь по электронной почте: salesenquires@briggsandstratton.com.au или отправьте письмо по адресу: Briggs & Stratton Australia Pty Ltd, 1 Moorebank Avenue, Moorebank, NSW, Australia, 2170.

Гарантийный срок начинается с первоначальной даты приобретения первым розничным или коммерческим потребителем. «Личное использование» означает индивидуальное использование устройства на личном участке розничным потребителем. «Коммерческое использование» означает все иные варианты использования, включая использование в коммерческих целях, для получения дохода или сдачи в аренду. Если двигатель находился в коммерческом использовании, после этого в рамках настоящих гарантийных условий он считается двигателем «коммерческого использования».

Сохраните свою квитанцию, подтверждающую покупку. Если при обращении за гарантийным обслуживанием не будет предоставлен документ, подтверждающий дату первой покупки, для определения гарантийного периода будет использована дата изготовления изделия. Для получения гарантийного обслуживания оборудования Briggs & Stratton не требуется проходить специальную регистрацию.

Информация о вашей гарантии

Настоящая ограниченная гарантия покрывает только связанные с двигателями дефекты материала и/или производства, но не замену или возмещение стоимости оборудования, на котором двигатель может быть установлен. Профилактическое техническое обслуживание, настройка, регулировка или нормальный износ не покрываются настоящей гарантией. Аналогично, гарантия теряет свое действие, если двигатель был изменен или модифицирован, или если серийный номер двигателя был искажен или удален. Настоящая гарантия не покрывает повреждение двигателя или ухудшение рабочих параметров, которые были вызваны следующим:

1. Использование деталей, которые не являются оригинальными деталями компании Briggs & Stratton;
2. Эксплуатация двигателя с недостаточным количеством смазочного масла, с загрязненным смазочным маслом, а также в случае использования масла несоответствующей марки;
3. Использование загрязненного или несвежего топлива, бензина, содержащего более 10% этанола, или альтернативных видов топлива, например, сжиженного газа или природного газа на двигателях, которые не были изначально предназначены/изготовлены компанией Briggs & Stratton для работы на таких видах топлива;
4. Грязь, попавшая в двигатель вследствие ненадлежащего технического обслуживания воздушного фильтра или его неправильной повторной сборки;
5. Столкновение лезвия ротационной газонокосилки с твердым предметом, ослабленные или установленные ненадлежащим образом адаптеры ножей, крыльчатки или другие соединенные с колесчатым валом устройства, а также чрезмерное натяжение клиновидного ремня;
6. Присоединяемые детали или узлы, например, муфты сцепления, трансмиссии, устройства управления оборудованием и т. п., которые не поставляются компанией Briggs & Stratton;
7. Перегрев, вызванный обрезками травы, грязью, мусором или гнездами грызунов, которые блокируют или засоряют ребра охлаждения или зону маховика, или работой двигателя без достаточной вентиляции;
8. Чрезмерная вибрация, вызванная превышением скорости работы, ослабленным креплением двигателя, ослабленным креплением или неправильной балансировкой лезвий или крыльчаток или ненадлежащим присоединением компонентов оборудования к колесчатому валу;
9. Неправильное использование, отсутствие планового технического обслуживания, ненадлежащая транспортировка или хранение оборудования на складе или неправильная установка двигателя.

Гарантийное обслуживание осуществляется только уполномоченными дистрибьюторами компании Briggs & Stratton. Найдите ближайшего уполномоченного сервисного дилера на нашей карте поиска дилера на веб-сайте: BRIGGSandSTRATTON.COM или по телефону: 1-800-233-3723 (в США).

80004537 (ред. С)

Tento návod obsahuje bezpečnostné informácie, ktoré vás oboznámi s hazardmi a rizikami spojenými s motormi a ich predchádzaním. Taktiež obsahuje pokyny na správne používanie a ošetrovanie motora. Pretože Briggs & Stratton Corporation nemusí nevyhnutne vedieť, aké zariadenie bude poháňané týmto motorom, je dôležité, aby ste si prečítali a pochopili tieto pokyny a pokyny pre poháňané zariadenie. **Tieto pôvodné pokyny uschovajte pre prípadné použitie v budúcnosti.**

Poznámka: Čísla a ilustrácie uvedené v tomto návodu slúžia iba ako pomôcka a môžu sa v prípade vášho špecifického modelu odlišovať. Ak máte nejaké otázky, spojte sa so svojim predajcom.

Pri výmene dielov, alebo pri technickej pomoci si zaznamenajte model motora, typ a kódové čísla spolu s dátumom zakúpenia. Tieto čísla sa nachádzajú na motore (pozrite si časť **Vlastnosti a ovládacie prvky**).

Dátum zakúpenia	
Model motora - Typ - Výbava	
Výrobné číslo motora	

Vyhľadajte 2D čiarový kód, ktorý je na niektorých motoroch. Prečítaním 2D čiarového kódu zistíte našu webovú stránku s podpornými informáciami o tomto výrobku. Platia rýchlosti prenosu údajov. Pre niektoré krajiny nemusia byť online podporné informácie k dispozícii.



Symbol	Význam	Symbol	Význam
	Riziko požiaru		Riziko výbuchu
	Riziko úrazu elektrickým prúdom.		Riziko výskytu toxických výparov
	Riziko popálenia na horúcom povrchu		Riziko hluku - pri dlhšom pôsobení hluku odporúčame používať chrániče sluchu.
	Riziko vyhodenia predmetu - Používajte ochranu zraku.		Riziko výbuchu
	Riziko vzniku omrzliny		Riziko spätného nárazu
	Riziko amputácie - pohybujúce sa diely		Chemické riziko
	Riziko popálenia		Korozívny

Informácie o recyklovaní

		Všetok obalový materiál, použitý olej a batérie je nutné recyklovať podľa platných vládnych nariadení.
--	--	--

Bezpečnosť obsluhy

Symbol bezpečnostného upozornenia a signálne slová

Bezpečnostný varovný symbol upozorňujúci na nebezpečenstvo, sa používa na označenie informácií o bezpečnostných rizikách, ktoré môžu vyústiť do úrazu. Slovné návstie (NEBEZPEČENSTVO, VAROVANIE, alebo UPOZORNENIE) sa používa so symbolom upozorňujúcim na nebezpečenstvo, na označenie pravdepodobnosti vzniku a možnej vážnosti úrazu. Navyše, symbol hazardu môže byť použitý na označenie typu hazardu.

NEBEZPEČENSTVO označuje riziko, ktorému je potrebné predísť, inak dôjde k usmrteniu, alebo vážnemu úrazu osoby.

VAROVANIE označuje riziko, ktorému je potrebné predísť, inak by mohlo dôjsť k usmrteniu, alebo vážnemu úrazu osoby.

UPOZORNENIE označuje riziko, ktorému je potrebné predísť, inak by mohlo dôjsť k malému, alebo stredne vážnemu úrazu.

OZNÁMENIE označuje situáciu, ktorá by mohla viesť k poškodeniu výrobku

Symbole označujúce riziká a ich významy

Symbol	Význam	Symbol	Význam
	Bezpečnostná informácia týkajúca sa rizík, ktoré môžu spôsobiť poranenie osôb.		Pred prevádzkovaním jednotky, alebo vykonávaním servisu na jednotke si prečítajte a pochopte návod na obsluhu.

Bezpečnostné informácie

VAROVANIE

Určité komponenty tohto výrobku a príslušenstvo, ktoré s ním súvisí, obsahujú chemikálie, ktoré sú v štáte Kalifornia známe ako látky spôsobujúce rakovinu, vrodené defekty alebo iné reprodukčné poškodenie. Po manipulácii si umyte ruky.

VAROVANIE

Výfukové splodiny motora tohto výrobku obsahujú chemikálie, ktoré sú štátom Kalifornia označované ako látky spôsobujúce rakovinu, vrodené chyby alebo iné reprodukčné poškodenia.

VAROVANIE

Motory Briggs & Stratton nie sú skonštruované a nemajú sa používať na pohon: motokár; detských vozidiel, rekreačných, alebo športových terénnych vozidiel; motocyklov; vznášadiel; lietadiel; alebo súťažných vozidiel bez súhlasu spoločnosti Briggs & Stratton. Informácie o pretekárskych produktoch nájdete na stránkach www.briggsracing.com. O využití v úžitkových a terénnych vozidlách so sedadlami vedľa seba sa informujte v stredisku Briggs & Stratton pre používanie motorov, 1-866-927-3349. Nesprávne použitie motora môže spôsobiť vážny úraz alebo usmrtenie.

VAROVANIE

Palivo a jeho výpary sú mimoriadne horľavé a výbušné.

Oheň alebo výbuch môže spôsobiť vážne popáleniny alebo usmrtenie.

Počas dopĺňania paliva

- Vypnite motor a pred demontovaním uzáveru palivovej nádrže ho nechajte aspoň 2 minúty vychladnúť.
- Palivo naplňajte vonku alebo v dobre vetranom priestore.
- Palivovú nádrž neprepĺňajte. Aby bolo umožnené rozpinanie paliva, palivovú nádrž nenaplňajte nad úroveň spodnej časti hrdla palivovej nádrže.
- Palivo uskladňujte v dostatočnej vzdialenosti od výskytu iskier, otvorených plameňov, zapalovacích horákov, tepelných alebo iných zápalných zdrojov.

- Pravidelne kontrolujte palivové vedenia, nádrž, uzáver a armatúry s cieľom zistiť trhliny a netesnosti. V prípade potreby vymeňte.
- Ak dôjde k postriekaniu palivom, pred spustením motora vyčkajte, dokiaľ sa toto palivo neodparí.

Počas štartovania motora

- Uistite sa, že zapalovacia sviečka, tlmič výfuku, uzáver palivovej nádrže a čistič vzduchu (ak je vo výbave) sú na mieste a zaistené.
- Motor neštartujte, ak je zapalovacia sviečka odstránená.
- Pri presýtení motora nastavte sýtič (ak je použitý) do polohy OPEN/RUN (OTVORENÝ/CHOD), škrtiacu klapku (ak je použitá) nastavte do polohy FAST (VYSOKÉ OTÁČKY) a štartujte, kým motor nenaštartuje.

Počas prevádzkovania zariadenia

- Nenakláňajte motor ani zariadenie pod uhlom, pri ktorom môže dôjsť k rozliatiu paliva.
- Nezastavujte motor škrtением karburátora.
- Nikdy neštartujte ani nenechajte bežať motor s odmontovaným vzduchovým filtrom (ak je ním motor vybavený), ani vybrať filtračnou vložkou (ak ju motor má).

Počas výmeny oleja

- Pokiaľ vypúšťate olej z hornej časti rúrky na plnenie oleja, palivová nádrž musí byť prázdna; v opačnom prípade dôjde k rozliatiu paliva s dôsledkom vzniku požiaru alebo výbuchu.

Počas nakláňania jednotky kvôli údržbe

- Keď robíte údržbu, ktorá si vyžaduje naklonenie stroja, musí byť palivová nádrž prázdna (pokiaľ je na motore namontovaná), ináč môže palivo vytečť a spôsobiť požiar alebo výbuch.

Počas prepravy zariadenia

- Prepravujte s PRÁZDNOU palivovou nádržou alebo s palivovým uzatváracím ventilom v polohe ZATVORENÝ.

Pri skladovaní paliva alebo zariadenia s palivom v nádrži.

- Neskladujte v blízkosti kotlov, pecí, ohrievačov vody alebo iných spotrebičov, ktoré majú večné plamienky alebo iné zápalné zdroje, pretože sa môžu vznietiť palivové výpary.



VAROVANIE

Počas spúšťania motora vznikajú iskry.

Iskry dokážu zapáliť horľavé plyny v blízkosti.

Dôsledkom toho môže dôjsť k vzniku výbuchu a požiaru.

- Ak v priestore dochádza k úniku zemného alebo skvapalneného plynu, nespúšťajte motor.
- Nepoužívajte stlačené štartovacie tekutiny, pretože výpary sú horľavé.



VAROVANIE

RIZIKO VÝSKYTU JEDOVATÉHO PLYNU. Spaliny z motora obsahujú oxid uhoľnatý, jedovatý plyn, ktorý dokáže spôsobiť smrť v priebehu niekoľkých minút. **NEMÔŽETE ho vidieť, cítiť ani ho zistiť chuťou.** Aj keď necítite výfukové spaliny, stále môžete byť vystavení účinkom plyného oxidu uhoľnatého. Ak pri používaní tohto výrobku začnete mať pocity choroby, závratu alebo slabosti, vypnite ho a **OKAMŽITE** odíďte na čerstvý vzduch. Vyhľadajte lekára. Môžete mať otravu z oxidu uhoľnatého.

- Tento výrobok používajte IBA vonku, ďaleko od okien, dverí a vetracích otvorov, aby sa znížilo riziko nahromadenia oxidu uhoľnatého a jeho možného vniknutia do obývaných priestorov.
- Podľa pokynov výrobcu nainštalujte poplašné zariadenia na oxid uhoľnatý napájané batériami alebo poplašné zariadenia na oxid uhoľnatý, ktoré sú napájané zo zástrčky a zálohované batériou. Poplašné zariadenia na dym nedokážu detegovať oxid uhoľnatý.
- **NEJAZDITE** s týmto produktom vo vnútri domov, v garážach, pivniciach, prístreškoch, ani v iných čiastočne uzavretých priestoroch, dokonca ani vtedy, keď sa tam používajú ventilátory alebo keď sa kvôli vetraniu používajú dvere a okná. Oxid uhoľnatý sa môže v týchto priestoroch rýchlo nahromadiť a držať sa v nich celé hodiny, dokonca aj po vypnutí výrobku.
- Tento výrobok **VŽDY** umiestňujte po vetre a výfuk motora smerujte mimo obývaných priestorov.



VAROVANIE

Rýchle spätné zatiahnutie štartovacej šnúry (spätný náraz) potiahne vašu ruku a rameno smerom k motoru a to rýchlejšie, ako by ste štartovaciu šnúru dokázali pusťiť.

V dôsledku toho môže dôjsť k zlomeninám kostí, fraktúram, pomliaždeninám alebo vytknutiam.

- Pri štartovaní motora pomaly ťahajte štartovaciu šnúru, kým neucítite odpor, a potom prudko trhnite, aby ste prekonalí spätý náraz.
- Pred štartovaním motora odpojte všetky externé zariadenia alebo záťaž motora.
- Priamo pripojené diely zariadení, ako napríklad najmä čepele, obežné kolesá, kladky, ozubené hnacie kolesá atď. musia byť bezpečne pripojené.



VAROVANIE

Rotujúce súčasti môžu zachytiť alebo namotať ruky, chodidlá, vlasy, oblečenie alebo doplnky.

Môže dôjsť k traumatickej amputácii alebo vážnemu tržnému poraneniu.

- Zariadenie prevádzkujte s nasadenými krytmi.
- Ruky a nohy nepribližujte k rotujúcim častiam.
- Dlhé vlasy si zviažte a odstráňte bižutériu.
- Nenoste voľné odevy, visiace sťahovacie šnúry, alebo predmety, ktoré sa môžu zachytiť.



VAROVANIE

Počas behu motora vzniká teplo. Časti motora, hlavne tlmič výfuku, sa veľmi zohrejú.

Pri kontakte môže dôjsť k závažným popáleninám.

Môže dôjsť k zapáleniu horľavých úlomkov, ako sú listy, tráva, chrastie atď.

- Pred dotykom nechajte tlmič výfuku, valec motora a chladiace rebrá vychladnúť.
- Z priestoru tlmiča výfuku a valca odstráňte nahromadený odpad.
- Je porušením Kalifornského zákonníka o verejných zdrojoch, Časť 4442, používať motor na akejkoľvek zalesnenej, zatravnenej ploche alebo na ploche pokrytej krikmi, ak nie je výfukový systém vybavený zachytávačom iskier, ako je to vymedzené v Časti 4442, a ak nie je udržiavaný vo funkčnom stave. V ostatných štátnych alebo federálnych oblastiach sa môžu uplatňovať podobné zákony. Keď chcete získať zachytávač iskier, ktorý bol navrhnutý pre výfukový systém pre tento motor, skontaktujte sa s výrobcom originálneho zariadenia, s obchodníkom, alebo s predajcom.



VAROVANIE

Náhodné iskrenie môže spôsobiť požiar alebo zasiahnutie elektrickým prúdom.

Neúmyselné naštartovanie môže spôsobiť zachytenie, traumatickú amputáciu, alebo tržné poranenie.

Riziko požiaru

Pred nastavením alebo opravami:

- Odpojte kábel zapalovacej sviečky od zapalovacej sviečky a vyberte ho.
- Odpojte prívod od záporného pólu batérie (iba u motorov s elektrickým štartovaním).
- Používajte iba správne nástroje.
- Nezasahujte do pružiny regulátora, prepojení alebo iných dielov s cieľom zvýšiť otáčky motora.
- Náhradné diely musia byť rovnakej výroby a musia byť namontované na to isté miesto, ako pôvodné diely. Iné diely nemusia mať rovnaké parametre, môžu poškodiť motor a môžu spôsobiť úraz.
- Neudierajte do zotrvačníka kladivom alebo tvrdým predmetom, pretože počas behu motora sa môže rozletieť na kusy.

Počas skúšania iskry:

- Na skúšanie používajte schválený skúšač zapalovacích sviečok.
- Neskušajte iskru pri vyskrutkovanej zapalovacej sviečke.

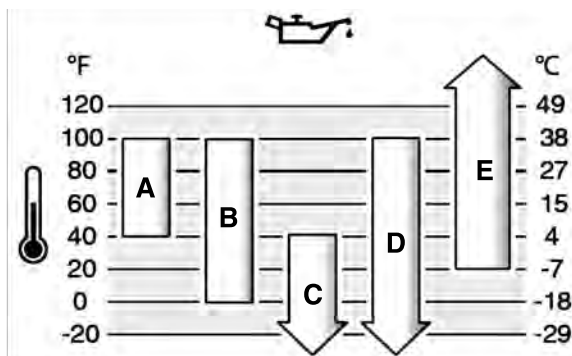
Dôležité časti a ovládače

Ovládacie prvky motora

Porovnajete zobrazenie (Obrázok: 1, 2, 3) so svojim motorom, aby ste sa oboznámili z umiestnením rôznych dôležitých častí a ovládačov.

- A. Identifikačné čísla motora **Model - Typ - Kód**
- B. Zapaľovacia sviečka
- C. Vzduchový filter
- D. Rukoväť štartovacej šnúry (ak je vo výbave)
- E. Olejová mierka
- F. Skrutka pre vypustenie oleja
- G. Tlmič výfuku, kryt tlmiča výfuku (ak je vo výbave), lapač iskier (ak je vo výbave)
- H. Mriežka pre nasávanie vzduchu
- I. Mriežka pre nasávanie vzduchu
- J. Olejový filter (ak je vo výbave)
- K. Elektrický štartér, (ak je vo výbave)
- L. Karburátor
- M. Palivový filter (ak je vo výbave)
- N. Palivové čerpadlo (ak je vo výbave)
- O. Otvor na rýchle vypustenie oleja (ak je vo výbave)
- P. Elektrická riadiaca jednotka (ak je vo výbave)

Správna viskozita oleja pre motor je určená vonkajšou teplotou. Pri výbere najlepšej viskozity pre očakávaný rozsah vonkajšej teploty používajte diagram. Motory väčšiny zariadení s motorovým pohonom pracujú vonku dobre so syntetickým olejom 5W-30. Pre zariadenia prevádzkované pri zvýšených teplotách ponúka najlepšiu ochranu syntetický olej Vanguard™ 15W-50.



A	SAE 30 - Pri teplote pod 40 °F (4 °C) spôsobí použitie SAE 30 zhoršenie štartovania.
B	10W-30 - Pri teplote nad 80 °F (27 °C) môže použitie oleja 10W-30 spôsobiť zvýšenú spotrebu oleja. Hladinu oleja kontrolujte častejšie.
C	5W-30
D	Syntetický olej 5W-30
E	Syntetický olej Vanguard™ 15W-50

Symbols a významy ovládania motora

Symbol	Význam	Symbol	Význam
	Otáčky motora - VYSOKÉ		Otáčky motora - NÍZKE
	Otáčky motora - ZASTAVENÝ		ZAP./VYP.
	Štartovanie motora - škrtiaca klapka ZATVORENÁ		Štartovanie motora - škrtiaca klapka OTVORENÁ
	Uzáver palivovej nádrže Uzatvárací ventil paliva - OTVORENÝ		Uzatvárací ventil paliva - UZAVRETÝ
	Hladina paliva - Maximálna Nepreplňujte		

Prevádzka

Odporúčané oleje

Objem oleja: Pozri **Technické parametre**.

UPOZORNENIE

Tento motor sa expeduje z výroby v Briggs & Stratton bez oleja. Olej do motora mohli pridať výrobcovia zariadenia alebo predajcovia. Pred prvým naštartovaním motora skontrolujte hladinu oleja a dolejte olej podľa pokynov uvedených v tejto príručke. Ak motor naštartujete bez oleja, neopraviteľne sa poškodí bez nároku na záruku.

Odporúčame používať certifikované záručné oleje Briggs & Stratton na dosiahnutie najlepších výsledkov. Prípustné sú aj iné vysoko kvalitné detergentné oleje, ak sú klasifikované pre prevádzkový režim SF, SG, SH, SJ alebo vyšší. Nepoužívajte špeciálne aditíva.

Kontrola hladiny oleja

Pozrite si obrázok: 4

Pred dopĺňaním, alebo kontrolou oleja

- Uistite sa, že motor je vo vodorovnej polohe.
- Okolie otvoru pre plnenie oleja očistite od špiny.

1. Vyťahnite olejovú mierku (A, Obrázok 4) a utrite ju čistou handrou.
2. Zasuňte a utiahnite olejovú mierku (A, Obrázok 4).
3. Vyťahnite olejovú mierku a skontrolujte hladinu oleja. Správna hladina oleja je na vrchu značky výšky hladiny (B, Obrázok 4) na olejovej mierke.
4. Ak je hladina oleja nízko, pomaly nalievajte olej do motora cez otvor pre nalievanie oleja (C, Obrázok 4). **Nesmiete preplniť.** Po priliatí oleja počkajte jednu minútu a potom znovu skontrolujte hladinu oleja.

Poznámka: Nedopĺňajte olej cez rýchly výpusť oleja, ak je vo výbave. Jeho umiestnenie nájdete v časti **Dôležité časti a ovládače**.

5. Zasuňte a utiahnite olejovú mierku (A, Obrázok 4).

System ochrany proti nedostatku oleja (ak je vo výbave)

Niektoré motory sú vybavené snímačom nízkej hladiny oleja. Ak je oleja málo, tak snímač rozsvieti kontrolku, alebo zastaví motor. Zastavte motor a pred naštartovaním vykonajte tieto kroky.

- Uistite sa, že motor je vo vodorovnej polohe.
- Skontrolujte hladinu oleja. Pozrite si časť **Kontrola výšky hladiny oleja**.
- Ak je oleja málo, prilejte potrebné množstvo. Naštartujte motor a uistite sa, že nesvieti kontrolka (ak je vo výbave).
- Ak oleja nie je málo, neštartujte motor. Problém s olejom si dajte odstrániť v autorizovanom servise Briggs & Stratton.

Odporúčenia týkajúce sa paliva

Palivo

UPOZORNENIE Nepoužívajte neschválený benzín, ako je E15 alebo E85. Do benzínu neprimiešavajte olej ani motor neupravujte na používanie s alternatívnymi palivami. Používanie neschválených palív spôsobí poškodenie dielov motora, na ktoré neplatí záruka.

Abyste palivový systém chránili pred vytváraním živcových usadenín, do paliva primiešajte stabilizátor. Pozrite si **Skladovanie**. Všetky palivá nie sú rovnaké. Ak sa vyskytnú problémy so štartovaním, zmeňte dodávateľa paliva alebo používanú značku. Tento motor je certifikovaný pre používanie benzínu. Tento motor je upravený tak, aby boli minimalizované emisie škodlivých látok.

Vysoká nadmorská výška

V nadmorských výškach nad 1524 metrov (5000 stôp) sa musí použiť minimálne 85-oktánový benzín/benzín 85 AKI (89 RON).

Motory s karburátorom si vyžadujú zmenu nastavenia pre vysokú nadmorskú výšku, aby si udržali výkon. Bez tejto úpravy dôjde počas prevádzky k zníženiu výkonu, zvýšeniu spotreby paliva a zvýšeniu množstva emisií. Informácie o úprave na používanie vo vysokých nadmorských výškach získate u autorizovaného predajcu značky Briggs & Stratton. Používanie motora s úpravou pre vysoké nadmorské výšky v nadmorských výškach do 762 metrov (2500 stôp) sa neodporúča.

Motory s elektronickým vstrekovaním paliva nepotrebujú zmenu nastavenia pre vysokú nadmorskú výšku.

Doplňanie paliva

Pozrite si Obrázok 5



VAROVANIE

Palivo a jeho výpary sú mimoriadne horľavé a výbušné.

Požiar, alebo výbuch môže spôsobiť vážne popálenia, alebo usmrtienie.

Pri dopĺňaní paliva

- Motor VYPNITE a nechajte ho vychladnúť, a to minimálne 2 minúty pred tým, ako odstránite uzáver palivovej nádrže.
 - Palivo naplňajte vonku, alebo v dobre vetranom priestore.
 - Palivovú nádrž neprepĺňajte. Aby bolo umožnené rozpínanie paliva, palivovú nádrž nenapĺňajte nad úroveň spodnej časti hrdla palivovej nádrže.
 - Palivo uskladňujte v dostatočnej vzdialenosti od výskytu iskier, otvorených plameňov, zapalovacích horákov, tepelných alebo iných zápalných zdrojov.
 - Pravidelne, za účelom zistenia trhlín a unikania kontrolujte palivové vedenia, nádrž, uzáver a armatúry. V prípade potreby vymeňte.
 - Ak dôjde k postriekaniu palivom, pred spustením motora vyčkejte, dokiaľ sa toto palivo neodparí.
1. Okolie uzáveru palivovej nádrže očistite od špiny a zvyškov. Otvorte palivovú nádrž.
 2. Do palivovej nádrže nalejte (A, Obrázok 5) palivo. Aby ste uvoľnili tepelné rozpínanie paliva, netankujte nad spodok hrdla palivovej nádrže (B).
 3. Zatvorte palivovú nádrž.

Štartovanie a zastavenie motora

Pozrite si obrázok: 6

Naštartovanie motora



VAROVANIE

Rýchle spätné vtiahnutie štartovacej šnúry (spätný náraz) potiahne ruku a rameno k motoru rýchlejšie, ako šnúru dokážete pustiť.

Môže dôjsť k zlomeninám kostí, fraktúram, pomliaždeninám, alebo vykĺbeniam.

- Pri štartovaní motora pomaly ťahajte štartovaciu šnúru kým neucítite odpor a následne šnúru prudko potiahnite, aby ste predišli spätému nárazu.



VAROVANIE

Palivo a jeho výpary sú mimoriadne horľavé a výbušné.

Požiar, alebo výbuch môže spôsobiť vážne popálenia, alebo usmrtienie.

Pri štartovaní motora

- Uistite sa, že zapalovacia sviečka, tlmič výfuku, uzáver palivovej nádrže a vzduchový filter (ak je vo výbave), sú namontované na svojom mieste a zaistené.
- Motor neštartujte pri vyskrutkovanej zapalovacej sviečke.
- Ak sa motor presýti benzínom, tak nastavte sýtič (ak je vo výbave) do polohy OPEN (otvorený)/RUN (beh), plyn (ak je vo výbave) dajte do polohy FAST (vysoké otáčky) a štartujte motor, kým sa nenaštartuje.



VAROVANIE

RIZIKO OTRAVY JEDOVATÝM PLYNOM. Spaliny z motora obsahujú oxid uhoľnatý, jedovatý plyn, ktorý dokáže spôsobiť smrť v priebehu niekoľkých minút. **NEMÔŽETE ho vidieť, cítiť čuchom, ani zistiť chuťou. Aj keď necítite čuchom prítomnosť výfukového plynu, môžete vdychovať kyslíčnik uhoľnatý. Ak pri používaní tohoto výrobku začnete mať pocity nevoľnosti, závratu alebo slabosti, vypnite motor a OKAMŽITE odíďte na čerstvý vzduch. Vyhľadajte pomoc lekára. Môžete mať otravu kyslíčnikom uhoľnatým.**

- Tento stroj používajte IBA vonku, ďaleko od okien, dverí a vetracích otvorov, aby sa znížilo riziko nahromadenia oxidu uhoľnatého a jeho možného vniknutia do obývaných priestorov.
- Podľa pokynov výrobcu nainštalujte poplašné zariadenia na oxid uhoľnatý, napájané batériami, alebo poplašné zariadenia na oxid uhoľnatý, ktoré sa napájajú zo zástrčky a ktoré sú zálohované batériou. Dymové signalizátory nesignalizujú prítomnosť kyslíčnika uhoľnatého.
- NESMIETE POUŽÍVAŤ tento výrobok vo vnútri domov, v garážach, v pivniciach, v prielezoch, pod prístreškami, ani v iných čiastočne uzavretých priestoroch, dokonca ani vtedy, keď sa tam používajú ventilátory, alebo keď sa kvôli vetraniu otvárajú dvere a okná. Kyslíčnik uhoľnatý sa môže rýchlo nahromadiť v týchto priestoroch a vydržať tam celé hodiny, dokonca aj keď je stroj vypnutý.
- Tento výrobok VŽDY umiestňujte po vetre a výfuk motora smerujte mimo obývaných priestorov.

UPOZORNENIE Tento motor bol dodaný od Briggs & Stratton bez oleja. Pred naštartovaním motora doplňte olej podľa pokynov v tomto návode. Ak naštartujete motor bez oleja, dôjde k jeho poškodeniu, ktoré sa nedá opraviť a na takéto poškodenie sa záruka nevzťahuje.

Zistite systém štartovania

Pred štartovaním motora si musíte zistiť typ systému štartovania motora. Na svojom motore máte jeden z nasledujúcich typov štartovania.

- **Systém ReadyStart®**: Tento systém má teplotou ovládaný automatický sýtič. Tento typ nie je vybavený nastrekovacou pumpou.
- **Systém elektronického riadenia spotreby paliva**: Tento systém pozostáva z elektronickej riadiacej jednotky, ktorá monitoruje stav motora a jeho teplotu. Tento typ nie je vybavený ručným sýtičom, alebo nastrekovacou pumpou.
- **Systém sýtiča**: Tento systém má sýtič, ktorý sa používa pri štartovaní pri nízkych teplotách. Niektoré modely budú mať samostatné ovládanie sýtiča, zatiaľ čo iné budú mať spoločné ovládanie sýtiča/plynu. Tento typ nie je vybavený nastrekovacou pumpou.

Pri štartovaní motora postupujte podľa pokynov, dodaných k vášmu typu systému štartovania.

Poznámka: Zariadenie na ktorom je namontovaný motor, môže mať ovládače funkcií motora. Pozrite si návod k zariadeniu, na ktorom je namontovaný motor, v ktorom je uvedená poloha a obsluha týchto ovládačov.

Systém ReadyStart®

1. Skontrolujte motorový olej. Pozrite si časť **Kontrola hladiny oleja**.
2. Uistite sa, že ovládačie prvky pohonu zariadenia, na ktorom je namontovaný motor, ak sú vo výbave, sú vypnuté.
3. Uzatvárací ventil paliva (A, Obrázok 6), ak je vo výbave, dajte do polohy OPEN (otvorený).
4. Posuňte páku ovládania plynu (B, Obrázok 6), ak je vo výbave, do polohy FAST (vysoké otáčky). Motor prevádzkujte v polohe FAST (vysoké otáčky).

Poznámka: Pri štartovaní pri nízkych teplotách (pod 0° C), posuňte spoločnú páčku pre sýtič aj plyn (B C), Obrázok 6) do polohy CHOKE (zatvorený).

5. **Spínací kľúč, ak je vo výbave:** Otočte spínací kľúč (D, Obrázok 6) do polohy ON / START (zapnutý / štartovanie).

Tlačidlo Start / Stop, ak je vo výbave: Stlačte tlačidlo start / stop (štartovanie / vypnutie) (F, Obrázok 6).

UPOZORNENIE Kvôli predĺženiu životnosti štartéra používajte krátke štartovacie cykly (maximálne päť sekúnd). Medzi jednotlivými štartovaniami počkajte jednu minútu.

Poznámka: Ak motor nenaštartujete ani po viacerých pokusoch, obráťte sa na svojho miestneho predajcu, alebo choďte na stránku **BRIGGSandSTRATTON.com** alebo zavolajte na číslo **1-800-233-3723** (v USA).

Systém elektronického riadenia spotreby paliva

1. Skontrolujte motorový olej. Pozrite si časť **Kontrola hladiny oleja**.
2. Uistite sa, že ovládacie prvky pohonu zariadenia, na ktorom je namontovaný motor, ak sú vo výbave, sú vypnuté.
3. Uzatvárací ventil paliva (A, Obrázok 6), ak je vo výbave, dajte do polohy OPEN (otvorený).
4. Posuňte páku ovládania plynu (B, Obrázok 6), ak je vo výbave, do polohy FAST (vysoké otáčky). Motor prevádzkujte v polohe FAST (vysoké otáčky).
5. **Štartovanie šnúrou, ak je vo výbave:** Otočte spínací kľúč (D, Obrázok 6) do polohy ON / START (zapnutý/štartovanie).
6. **Štartovanie šnúrou, ak je vo výbave:** Pevne uchopte rukoväť štartovacej šnúry (E, Obrázok 6). Pomaly ťahajte rukoväť štartovacej šnúry, kým neucítite odpor a potom prudko potiahnite.



VAROVANIE

Rýchle spätné zatiahnutie štartovacej šnúry (spätný náraz) potiahne vašu ruku a rameno, smerom k motoru a to rýchlejšie, ako by ste štartovaciu šnúru dokázali pustiť. Môže dôjsť k zlomeninám kostí, fraktúram, pomliaždeninám, alebo vyklbeniam. Pri štartovaní motora pomaly ťahajte štartovaciu šnúru kým neucítite odpor a následne šnúru prudko potiahnite, aby ste predišli spätnému nárazu.

7. **Elektrické štartovanie, ak je vo výbave:** Otočte spínací kľúč (D, Obrázok 6) do polohy ON / START (zapnutý/štartovanie).

UPOZORNENIE Kvôli predĺženiu životnosti štartéra používajte krátke štartovacie cykly (maximálne päť sekúnd). Medzi jednotlivými štartovaniami počkajte jednu minútu.

Poznámka: Ak motor nenaštartujete ani po viacerých pokusoch, obráťte sa na svojho miestneho predajcu, alebo choďte na stránku **BRIGGSandSTRATTON.com** alebo zavolajte na číslo **1-800-233-3723** (v USA).

Systém sýtiča

1. Skontrolujte motorový olej. Pozrite si časť **Kontrola hladiny oleja**.
2. Uistite sa, že ovládacie prvky pohonu zariadenia, na ktorom je namontovaný motor, ak sú vo výbave, sú vypnuté.
3. Uzatvárací ventil paliva (A, Obrázok 6), ak je vo výbave, dajte do polohy OPEN (otvorený).
4. Posuňte páku ovládania plynu (B, Obrázok 6), ak je vo výbave, do polohy FAST (vysoké otáčky). Motor prevádzkujte v polohe FAST (vysoké otáčky).
5. Posuňte páku ovládania sýtiča (C, Obrázok 6) do polohy CLOSED (zatvorený). Pri modeloch s jednou páčkou na ovládanie sýtiča aj plynu (B C), posuňte túto páčku do polohy CHOKE.

Poznámka: Pri štartovaní teplého motora nie je sýtič zvyčajne potrebný.

6. **Štartovanie šnúrou, ak je vo výbave:** Otočte spínací kľúč (D, Obrázok 6) do polohy ON / START (zapnutý/štartovanie).
7. **Štartovanie šnúrou, ak je vo výbave:** Pevne uchopte rukoväť štartovacej šnúry (E, Obrázok 6). Pomaly ťahajte rukoväť štartovacej šnúry, kým neucítite odpor a potom prudko potiahnite.



VAROVANIE

Rýchle spätné zatiahnutie štartovacej šnúry (spätný náraz) potiahne vašu ruku a rameno, smerom k motoru a to rýchlejšie, ako by ste štartovaciu šnúru dokázali pustiť. Môže dôjsť k zlomeninám kostí, fraktúram, pomliaždeninám, alebo vyklbeniam. Pri štartovaní motora pomaly ťahajte štartovaciu šnúru kým neucítite odpor a následne šnúru prudko potiahnite, aby ste predišli spätnému nárazu.

8. **Elektrické štartovanie, ak je vo výbave:** Otočte spínací kľúč (D, Obrázok 6) do polohy ON / START (zapnutý/štartovanie).

UPOZORNENIE Kvôli predĺženiu životnosti štartéra používajte krátke štartovacie cykly (maximálne päť sekúnd). Medzi jednotlivými štartovaniami počkajte jednu minútu.

9. Počas ohrievania motora posúvajte páčku ovládania sýtiča (C, Obrázok 6) do polohy OPEN (otvorený). Pri modeloch s jednou páčkou na ovládanie sýtiča aj plynu (B C), posuňte túto páčku do polohy FAST (vysoké otáčky).

Poznámka: Ak motor nenaštartujete ani po viacerých pokusoch, obráťte sa na miestneho predajcu, alebo choďte na stránku **BRIGGSandSTRATTON.com** alebo zavolajte na číslo **1-800-233-3723** (v USA).

Vypnutie motora



VAROVANIE



Palivo a jeho výpary sú mimoriadne horľavé a výbušné.

Požiar, alebo výbuch môže spôsobiť vážne popálenia, alebo usmrtenie.

- Nezastavujte motor priškrcovaním karburátora.

1. **Spínací kľúč, ak je vo výbave:** S páčkou ovládania plynu v polohe FAST (vysoké otáčky), otočte spínací kľúč (D, Obrázok 6) do polohy OFF (vypnutý). Vytiahnite kľúč z prepínača a uložte ho na bezpečné miesto, mimo dosah detí.
Tlačidlo Start / Stop, ak je vo výbave: S páčkou ovládania plynu v polohe FAST (vysoké otáčky), stlačte tlačidlo START/STOP (F, Obrázok 6).
2. Po zastavení motora otočte uzatvárací ventil paliva (A, Obrázok 6), ak je vo výbave, do polohy CLOSED (zatvorený).

Údržba

UPOZORNENIE Ak sa motor počas údržby otáča spodkom nahor, palivová nádrž, ak je upevnená na motore, musí byť prázdna a strana so zapaľovacou sviečkou musí smerovať nahor. Ak palivová nádrž nebude prázdna a motor prevrátite do ktoréhokoľvek smeru, môže dôjsť k sťaženiu naštartovania v dôsledku toho, že olej alebo benzín znečistí vzduchový filter a/alebo zapaľovaciu sviečku.



VAROVANIE

Keď robíte údržbu, ktorá si vyžaduje naklonenie stroja, musí byť palivová nádrž prázdna, ináč môže palivo vytiecť a spôsobiť požiar, alebo výbuch.

Odporúčame, aby ste kvôli každej údržbe a servisu motora a dielov motora navštívili ktoréhokoľvek autorizovaného servisného zástupcu Briggs & Stratton.

UPOZORNENIE Všetky diely použité pri stavbe tohto motora musia byť na svojom mieste, aby motor správne fungoval.



VAROVANIE



Náhodné iskrenie môže spôsobiť požiar, alebo úraz elektrickým prúdom.

Neúmyselné naštartovanie môže spôsobiť zachytenie, traumatickú amputáciu, alebo tržné poranenie.

Nebezpečenstvo požiaru

Pred nastavovaním, alebo opravami:

- Odpojte zapaľovací kábel od zapaľovacej sviečky a dajte ho preč od zapaľovacej sviečky.
- Odpojte prívod od zápornej svorky akumulátora (iba u motorov s elektrickým štartovaním).
- Používajte iba správne nástroje.
- Nezasahujte do pružiny regulátora, prepojení, alebo iných dielov, kvôli zvýšeniu otáčok motora.
- Náhradné diely musia mať rovnakú konštrukciu a musia byť namontované na rovnaké miesta ako pôvodné diely. Iné diely nemusia fungovať tak dobre, môžu poškodiť zariadenie a môžu spôsobiť úraz.
- Neudierajte do zotrvačníka kladivom alebo tvrdým predmetom, pretože počas behu motora sa môže rozletieť na kusy.

Pri skúšaní iskrý:

- Na skúšanie používajte schválený skúšač zapaľovacích sviečok.
- Neskúšajte iskrú pri vyskrutkovanej zapaľovacej sviečke.

Servis dielov na obmedzovanie škodlivých emisií

Údržbu, výmenu, alebo opravu dielov a systémov na obmedzovanie škodlivých emisií, môže vykonávať akákoľvek firma, alebo osoba, zaoberajúca sa opravou terénnych motorov. Avšak "bezplatný" servis dielov na obmedzovanie škodlivých emisií dostanete, iba ak práca bude vykonaná v servise s autorizáciou od závodu. Pozrite si vyhlásenia o kontrole emisií škodlivín.

Plán údržby

Prvých 5 hodín
<ul style="list-style-type: none">Vymeňte olej ³
Každých 8 hodín alebo každý deň
<ul style="list-style-type: none">Skontrolujte úroveň hladiny motorového olejaOčistite priestor okolo tlmíča výfuku a ovládačovOčistite mriežku pre nasávanie vzduchu
Každých 25 hodín, alebo raz ročne
<ul style="list-style-type: none">Vyčistíte vložku vzduchového filtra ¹Očistíte predfilter (ak je vo výbave) ¹
Každých 50 hodín, alebo raz ročne
<ul style="list-style-type: none">Vymeňte motorový olej ⁴Vymeňte olejový filter (ak je vo výbave) ⁴Urobte servisnú údržbu výfukového systému
Každých 100 hodín, alebo raz ročne
<ul style="list-style-type: none">Vymeňte motorový olej ⁵Vymeňte olejový filter (ak je vo výbave) ⁵
Raz ročne
<ul style="list-style-type: none">Vymeňte zapalovaciu sviečkuVymeňte vložku vzduchového filtraVymeňte predfilter (ak je vo výbave)Vymeňte palivový filter (ak je vo výbave)Urobte servis palivového systémuUrobte servisnú údržbu chladiaceho systému ¹Skontrolujte vŕľu ventilu ²

¹ V prašných podmienkach, alebo pri vzduchu znečistenom úlomkami, čistite častejšie.

² Nie je potrebné, ak neexistujú problémy s výkonnosťou motora.

³ Iba motory bez olejového filtra.

⁴ Motor bez olejového filtra, alebo so štandardným čiernym olejovým filtrom (pozrite si stránku **Technické parametre**, kde je uvedené číslo dielu).

⁵ Motory s vysoko účinným žltým, alebo oranžovým olejovým filtrom (pozrite si stránku **Technické parametre**, kde je uvedené číslo dielu).

System elektronického riadenia spotreby paliva

System elektronického riadenia spotreby paliva sleduje počas štartovania a zohrievania motora teplotu motora, otáčky motora a napätie batérie, kvôli správne nastaveniu sytiča. Tento systém nie je potrebné nastavovať. S problémami so štartovaním, alebo prevádzkovaním motora sa obráťte na autorizovaného servisného zástupcu Briggs & Stratton.

UPOZORNENIE Musíte dodržať nižšie uvedené kroky, pretože v opačnom prípade môže dôjsť k poškodeniu systému elektronického riadenia spotreby paliva.

- Nikdy neštartujte motor pri uvoľnených kábloch od batérie.
- Pred odpájaním, vyberaním, respektíve vkladáním a pripájaním batérie, otočte kľúč zapalovania do polohy off (vypnutý).
- Na štartovanie motora nikdy nepoužívajte nabíjačku batérie.
- Pri bežiacom motore nikdy neodpájajte káble od batérie.
- Pri pripájaní káblov k batérii, najprv pripojte kábel na kladný (+) pól batérie a potom na záporný (-) pól batérie.
- Pri nabíjaní batérie otočte kľúč zapalovania do polohy off (vypnutý) a odpojte kábel od záporného (-) pólu batérie.
- Nestriekajte vodu priamo na elektronickú riadiacu jednotku.

Karburátor a otáčky motora

Nikdy neupravujte karburátor, alebo otáčky motora. Karburátor bol nastavený v závode tak, aby efektívne fungoval vo väčšine pracovných podmienok. Nezasahujte do pružiny regulátora, prepojení, alebo iných dielov, kvôli zmene otáčok motora. Ak sú potrebné akékoľvek úpravy, požiadajte o službu servis s autorizáciou od Briggs & Stratton.

UPOZORNENIE Výrobca zariadenia, na ktorom je namontovaný motor, stanovuje maximálne povolené otáčky tohoto motora. **Neprekračujte** tieto otáčky. Ak si nie ste istí hodnotou maximálnych povolených otáčok zariadenia na ktorom je motor, alebo na aké otáčky bol nastavený motor vo výrobnom závode, požiadajte o pomoc servis s autorizáciou od Briggs & Stratton. Aby zariadenie, na ktorom je namontovaný motor, pracovalo bezpečne a správne, otáčky motora musia byť nastavené iba kvalifikovaným servisným technikom.

Údržba zapalovacej sviečky

Pozrite si Obrázok: 7

Skontrolujte vzdialenosť elektród (A, Obrázok 7) drôtovou mierkou (B). Ak je to potrebné, tak vzdialenosť elektród upravte. Zapalovaciu sviečku zaskrutkujte a utiahnite doporučeným uťahovacím momentom. Nastavenie vzdialenosti elektród, alebo veľkosť uťahovacieho momentu si pozrite v časti **Technické parametre**.

Poznámka: Niekde miestny zákon vyžaduje používanie zapalovacej sviečky s odporom, na potlačenie elektromagnetického rušenia od zapalovania. Ak tento motor bol pôvodne vybavený zapalovacou sviečkou s odporom, tak na jej náhradu použite rovnaký typ zapalovacej sviečky.

Servis výfukového systému



VAROVANIE Počas behu motora vzniká teplo. Súčasti motora, a to hlavne tlmíč výfuku sa ohrievajú na veľmi vysokú teplotu.

Dotyk s nimi môže spôsobiť vážne popáleniny.

Môže sa zapáliť horľavý odpad, ako sú listy, tráva, chrastie, atď.

- Pred dotykom nechajte tlmíč výfuku, valec motora a chladiace rebrá vychladnúť.
- Z priestoru tlmíča výfuku a valca odstráňte nahromadené nečistoty.
- Je porušením Kalifornského zákonníka o verejných zdrojoch, Časť 4442, používať motor na akejkoľvek zalesnenej, zatrávnenej ploche alebo na ploche pokrytej kríkmi, ak nie je výfukový systém vybavený zachytávačom iskier, ako je to zadané v Časti 4442, a ak nie je udržiavaný v efektívnom pracovnom stave. V ostatných štátnych alebo federálnych oblastiach sa môžu uplatňovať podobné zákony. Keď chcete získať zachytávač iskier, ktorý bol navrhnutý pre výfukový systém pre tento motor, skontaktujte sa s výrobcom originálneho zariadenia, s obchodníkom, alebo s predajcom.

Z priestoru tlmíča výfuku a valca odstráňte nahromadené nečistoty. Skontrolujte tlmíč výfuku, či nie je prasknutý, skorodovaný, alebo ináč poškodený. Odmontujte lapač iskier, ak je použitý na motore a skontrolujte, či nie je poškodený, alebo zanesený olejovými usadeninami. Ak nájdete poškodenie, tak pred používaním motora namontujte náhradné diely.



VAROVANIE Náhradné diely musia mať rovnakú konštrukciu a musia byť namontované na rovnaké miesta ako pôvodné diely. Iné diely nemusia fungovať tak dobre, môžu poškodiť zariadenie a môžu spôsobiť úraz.

Výmena motorového oleja

Pozrite si obrázok: 8, 9, 10, 11

Použitý olej je nebezpečným odpadom a musí sa správne zlikvidovať. Nelikvidujte ho spolu s domovým odpadom. Informácie o bezpečnej likvidácii / miestach realizácie recyklácie získate na miestnom úrade, v servisnom stredisku alebo u predajcu.

Vypustenie oleja

- Na vypnutom, ale ešte teplom motore odpojte zapalovací kábel od zapalovacej sviečky (D, Obrázok 8) a nepribližujte ho k zapalovacej sviečke (E).
- Vytiahnite olejovú mierku (A, Obrázok 9).

Skrutka z otvoru pre vypustenie oleja, ak je vo výbave

- Vyskrutkujte vypúšťaciu zátku oleja (F, Obrázok 10). Olej vypustíte do schválenej nádoby.

Poznámka: Na motore môže byť použitá ktorákoľvek z vypúšťacích zátek oleja (G, Obrázok 10).

- Po vypustení oleja zaskrutkujte vypúšťaciu zátku oleja a utiahnite ju (F, Obrázok 10).

Rýchly výpusť oleja, ak je vo výbave

- Odpojte hadičku pre rýchle vypúšťanie oleja (H, Obrázok 11) od boku motora.
- Otočte z vyberte uzáver pre vypúšťanie oleja (I, Obrázok 11). Opatrne spustite nadol hadičku pre rýchle vypustenie oleja (H) do vhodnej nádoby (J).
- Po vytečení oleja nasadte uzáver vypúšťacieho otvoru oleja (I, Obrázok 11). Hadičku pre rýchle vypúšťanie oleja (H) upevnite k boku motora.

Výmena olejového filtra, ak je vo výbave

Niektoré modely majú olejový filter. Interval výmeny si pozrite si v **tabuľke údržby**.

- Vypustite olej z motora. Pozrite si časť **Vypustenie oleja**.
- Vyberte olejový filter (K, Obrázok 9) a zlikvidujte ho správnym spôsobom.
- Pred vložením nového olejového filtra, jemne naolejujte tesnenie olejového filtra čerstvým, čistým olejom.
- Olejový filter vkladajte rukou, kým sa tesnenie nedotkne adaptéra olejového filtra, následne olejový filter utiahnite o 1/2 až 3/4 otáčky.
- Nalejte olej. Pozrite si časť **Nalievanie oleja**.
- Naštartujte motor a nechajte ho bežať. Počas ohrievania motora kontrolujte, či neuniká olej.
- Zastavte motor a skontrolujte hladinu oleja. Správna hladina oleja je na vrchu značky výšky hladiny (B, Obrázok 9) na olejovej mierke.

Doliatie oleja

- Uistite sa, že motor je vo vodorovnej polohe.
- Okolie otvoru pre plnenie oleja očistite od špiny.
- Pozrite si časť **Technické parametre**, kde je uvedené množstvo oleja.

- Vytiahnite olejovú mierku (A, Obrázok 9) a utrite ju čistou handrou.
- Pomaly nalievajte olej do otvoru pre nalievanie motorového oleja (C, Obrázok 9). **Nesmiete preplniť.** Po prilití oleja počkajte jednu minútu a potom skontrolujte hladinu oleja.

Poznámka: Nedopĺňajte olej cez rýchly výpusť oleja (H, Obrázok 11), ak je vo výbave.

- Zasuňte a utiahnite olejovú mierku (A, Obrázok 9).
- Vytiahnite olejovú mierku a skontrolujte hladinu oleja. Správna hladina oleja je na vrchu značky výšky hladiny (B, Obrázok 9) na olejovej mierke.
- Zasuňte a utiahnite olejovú mierku (A, Obrázok 9).
- Nasadte zapalovací kábel (D, Obrázok 8) na zapalovaciu sviečku (E).

Servis vložky vzduchového filtra

Pozrite si obrázok: 12, 13



VAROVANIE

Palivo a jeho výpary sú mimoriadne horľavé a výbušné.

Požiar, alebo výbuch môže spôsobiť vážne popálenia, alebo usmrtenie.

- Nikdy motor neštartujte, ani neprevádzkujte, keď je zostava čističa vzduchu (ak je vo výbave), alebo vložka vzduchového filtra (ak je vo výbave) demontovaná.

UPOZORNENIE Na čistenie vložky filtra nepoužívajte stlačený vzduch ani rozpúšťadlá. Stlačený vzduch môže poškodiť vložku filtra a rozpúšťadlá vložku filtra rozpustia.

Pozrite si **Plán údržby** kde sú uvedené požiadavky na servis.

Rôzne modely používajú penovú, alebo papierovú vložku filtra. Niektoré modely sú vybavené taktiež predfilterom, ktorý je možné vyprať a znovu použiť. Porovnajte zobrazenia v tomto návode s typom použitým na vašom motore a podľa toho vykonajte servis.

Papierová vložka vzduchového filtra

- Potiahnite nahor rukoväť krytu (A, Obrázok 12). Otočte rukoväť krytu k motoru a potom kryt (B) zložte.
- Dajte dole predfilter (C, Obrázok 12), ak je vo výbave, a vyberte vložku filtra (D).
- Ak chcete uvoľniť úločky, jemne poklepte vložkou filtra (D, Obrázok 12) o tvrdý povrch. Ak je vložka filtra veľmi znečistená, vymeňte ju za novú vložku filtra.

- Predfilter (C, Obrázok 12) vyperte v zmesi tekutého čistiaceho prostriedku a vody. Nechajte predfilter (C) poriadne voľne vyschnúť na vzduchu. **Predfilter nesmiete zaolejovať.**
- Suchý predfilter (C, Obrázok 12) a vložku filtra (D) vložte do držiaka na motore (E).
- Výstupky (F, Obrázok 12) na kryte (B) vložte do štrbin (G) na kryte ventilátora.
- Rukoväť krytu (A, Obrázok 12) otočte späť a zatlačením nadol ju zaistíte na svojom mieste.

Papierová vložka vzduchového filtra

- Uvoľnite príchytiku (príchytky) (A, Obrázok 13).
- Zložte kryt (B, Obrázok 13).
- Pri vyberaní filtračnej vložky (C, Obrázok 13) zdvihnite koniec filtračnej vložky a potom ju vytiahnite z nasávacej časti (D).
- Ak chcete uvoľniť úločky, jemne poklepte filtrom (C, Obrázok 13) o tvrdý povrch. Ak je vložka filtra veľmi znečistená, vymeňte ju za novú vložku filtra.
- Dajte dole predfilter (E, Obrázok 13), ak je vo výbave, z vložky filtra (C).
- Vyperte predfilter (E, Obrázok 13), ak je vo výbave, v zmesi tekutého čistiaceho prostriedku a vody. Nechajte predfilter poriadne voľne vyschnúť na vzduchu. **Predfilter nesmiete zaolejovať.**
- Nasadte suchý predfilter (E, Obrázok 13), ak je vo výbave, na vložku filtra (C).
- Vložte vložku filtra (C, Obrázok 13) do nasávacej časti (D). Zatlačte koniec filtračnej vložky do držiaka na motore. Uistite sa, že filtračná vložka pevne sedí v držiaku.
- Nasadte kryt vzduchového filtra (B, Obrázok 13) a zaistite ho príchytkou (príchytkami) (A).

Servis palivového systému

Pozrite si Obrázok: 14, 15



VAROVANIE

Palivo a jeho výpary sú mimoriadne horľavé a výbušné.

Požiar, alebo výbuch môže spôsobiť vážne popálenia, alebo usmrtenie.

- Palivo uskladňujte v dostatočnej vzdialenosti od zdrojov iskier, otvorených plameňov, zapalovacích plamienkov, tepelných, alebo iných zápalných zdrojov.
- Často, za účelom zistenia trhlín a úniku paliva, kontrolujte palivové rúrky, nádrž, uzáver nádrže a spoje. V prípade potreby vymeňte.
- Pred čistením, alebo výmenou palivového filtra vypustte palivo z palivovej nádrže, alebo zatvorte uzatvárací ventil paliva.
- Ak sa palivo rozleje, tak pred spustením motora počkajte, kým sa toto rozliate palivo neodparí.
- Náhradné diely musia byť rovnaké a musia byť namontované na to isté miesto ako pôvodné diely.

Palivový filter, ak je vo výbave

- Pred čistením, alebo výmenou palivového filtra (A, Obrázok 14) vypustite palivo z palivovej nádrže, alebo zatvorte uzatvárací ventil paliva. V opačnom prípade môže dôjsť k rozliatiu paliva a vzniku požiaru, alebo výbuchu.
- Kliešťami stlačte výstupky (B, Obrázok 14) na svorkách (C), potom odtlačte svorky z palivového filtra (A). Krútením a ťahaním odpojte palivové rúrky (D) od palivového filtra.
- Skontrolujte palivové rúrky (D, Obrázok 14), či nie sú prasknuté, alebo netesniace. V prípade potreby vymeňte.
- Palivový filter (A, Obrázok 14) nahradte originálnym náhradným filtrom.
- Palivové rúrky (D, Obrázok 14) zaistíte svorkami (C) tak, ako je to zobrazené.

Servis palivového systému

- Vyskrutkujte uzáver palivovej nádrže (A, Obrázok 15).
- Vyberte palivové filtračné sitko (B, Obrázok 15).
- Ak je palivové filtračné sitko špinavé, tak ho očistite, alebo vymeňte. Ak vymieňate palivové filtračné sitko pre zachytávanie nečistôt, tak na výmenu použite iba originálne náhradné palivové filtračné sitko.

Servis chladiaceho systému



VAROVANIE

Počas behu motora vzniká teplo. Súčasti motora, a to hlavne tlmič výfuku sa ohrievajú na veľmi vysokú teplotu.

Dotyk s nimi môže spôsobiť vážne popáleniny.

Môže sa zapáliť horľavý odpad, ako sú listy, tráva, chrastie, atď.

- Pred dotykom nechajte tlmič výfuku, valec motora a chladiace rebrá vychladnúť.
- Z priestoru tlmiča výfuku a valca odstráňte nahromadené nečistoty.

UPOZORNENIE Motor nečistite vodou. Voda sa môže dostať do palivového systému. Na čistenie motora používajte kefu, alebo suchú handru.

Tento motor je chladený vzduchom. Špina, alebo úlomky môžu obmedziť prietok vzduchu a spôsobiť prehriatie motora, čo má za následok zníženie výkonu a skrátenie životnosti motora.

1. Z mriežky pre nasávanie vzduchu odstráňte nečistoty kefu, alebo suchou handrou.
2. Tiahla, pružiny a ovládacie prvky udržiavajte v čistote.
3. Priestor okolo a za tlmičom výfuku, ak je vo výbave, očistite od všetkých horľavých úlomkov.
4. Uistite sa, že na rebrách chladiča oleja nie je špina, alebo úlomky.

Časom sa v chladiacich rebrách valca môžu nahromadiť úlomky a spôsobiť prehriatie motora. Tieto úlomky nie je možné odstrániť bez čiastočného rozobratia motora. Nechajte si autorizovaným servisným zástupcom Briggs & Stratton skontrolovať a vyčistiť systém vzduchového chladenia motora tak, ako je to doporučené v **Pláne údržby**.

Skladovanie



VAROVANIE

Palivo a jeho výpary sú mimoriadne horľavé a výbušné.

Oheň alebo výbuch môže spôsobiť vážne popáleniny alebo usmrtienie.

Pri skladovaní paliva alebo zariadenia s palivom v nádrži

- Neskladujte v blízkosti kotlov, pecí, ohrievačov vody ani iných spotrebičov, ktoré majú večné plamienky alebo iné zápalné zdroje, pretože sa môžu vznietiť palivové výpary.

Palivový systém

Pozri obrázok: 16

Motor uskladnite vo vodorovnej polohe (štandardná prevádzková poloha). Naplňte palivovú nádrž (A, obrázok 16) palivom. Palivovú nádrž nenapĺňajte nad hrdlo a ponechajte priestor na rozpínanie paliva (B).

Palivo môže pri skladovaní na viac ako 30 dní zostarnúť. Staré palivo vytvára kyselinu a usadeniny gúmy, ktoré sa vytvárajú v palivovom systéme alebo v dôležitých častiach karburátora. Na ochranu čerstvosti paliva používajte **palivo Briggs & Stratton s pokrokovým zložením Ošetrovanie a stabilizátor**, dostupné všade, kde sa predávajú originálne servisné diely Briggs & Stratton.

Ak sa v súlade s pokynmi pridá stabilizátor paliva, nie je potrebné vypúšťať benzín z motora. Motor nechajte pred uskladnením dve (2) minúty bežať, aby sa stabilizátor dostal do celého palivového systému.

Ak ste benzín v motore neošetrili stabilizátorom paliva, je nutné ho vypustiť do schválenej nádoby. Motor nechajte bežať dovtedy, kým sa nezastaví pre nedostatok paliva. Odporúča sa používať stabilizátor paliva na zachovanie čerstvého stavu paliva v nádobe.

Motorový olej

Motorový olej vymieňajte pri teplom motore. Pozrite si časť **Výmena motorového oleja**.

Riešenie problémov

Pre pomoc sa obráťte na svojho miestneho predajcu, alebo choďte na stránku **BRIGGSandSTRATTON.com**, alebo zavolajte na číslo **1-800-233-3723** (v USA).

Technické parametre

Model: 210000	
Zdvihový objem	21.01 ci (344 cc)
Vrtanie	3.437 in (87,30 mm)
Zdvih	2.264 in (57,51 mm)
Množstvo oleja - bez filtra	42 - 44 oz (1,24 - 1,30 L)
Množstvo oleja - s filtrom	46 - 48 oz (1,36 - 1,40 L)
Vzdialenosť elektród zapaľovacej sviečky	0.030 in (0,76 mm)
Uťahovací moment zapaľovacej sviečky	180 lb-in (20 Nm)
Vzduchová medzera armatúry	0.010 - 0.014 in (0,25 - 0,36 mm)
Vôľa nasávacieho ventilu	0.003 - 0.005 in (0,08 - 0,13 mm)
Vôľa výfukového ventilu	0.005 - 0.007 in (0,13 - 0,18 mm)

Model: 310000	
Zdvihový objem	30.59 ci (501 cc)
Vrtanie	3.563 in (90,49 mm)
Zdvih	3.062 in (77,77 mm)
Množstvo oleja - bez filtra	42 - 44 oz (1,24 - 1,30 L)
Množstvo oleja - s filtrom	46 - 48 oz (1,36 - 1,40 L)
Vzdialenosť elektród zapaľovacej sviečky	0.030 in (0,76 mm)
Uťahovací moment zapaľovacej sviečky	180 lb-in (20 Nm)
Vzduchová medzera armatúry	0.010 - 0.014 in (0,25 - 0,36 mm)
Vôľa nasávacieho ventilu	0.003 - 0.005 in (0,08 - 0,13 mm)
Vôľa výfukového ventilu	0.005 - 0.007 in (0,13 - 0,18 mm)

Výkon motora sa zníži o 3,5% na každých (1000 stôp) 300 metrov nadmorskej výšky a o 1% na každých (10° F) 5,6° C nad hodnotu (77° F) 25° C. Motor bude spoľahlivo pracovať pri sklone do 15°. Pozrite si návod na obsluhu zariadenia, kde sú uvedené bezpečné prípustné pracovné limity na svahoch.

Servisné diely - Model: 210000	
Servisný diel	Číslo dielu
Vložka vzduchového filtra, papierová (pozrite si Obrázok 13)	796032
Predfilter vzduchového filtra, penový (pozrite si Obrázok 13)	798911
Vložka vzduchového filtra, papierová (pozrite si Obrázok 12)	698413, 5079
Predfilter vzduchového filtra, penový (pozrite si Obrázok 12)	697292, 5079
Olej - SAE 30 (0,6 l)	100005
Olej - SAE 30 (1,4 l)	100028
Olejový filter	492932
Účinné, moderné aditívum a stabilizátor do paliva	100117, 100120
Palivový filter - motor bez palivového čerpadla	394358, 5098
Palivový filter - motor s palivovým čerpadlom	691035, 5065
Zapaľovacia sviečka s odporom	491055
Platinová zapaľovacia sviečka s dlhou životnosťou	5066
Kľúč pre zapaľovaciu sviečku	89838, 5023
Skúšačka iskry	19368

Servisné diely - Model: 310000	
Servisný diel	Číslo dielu
Vložka vzduchového filtra, papierová (pozrite si Obrázok 13)	796031
Predfilter vzduchového filtra, penový (pozrite si Obrázok 13)	797704
Vložka vzduchového filtra, papierová (pozrite si Obrázok 12)	698083, 5077
Predfilter vzduchového filtra, penový (pozrite si Obrázok 12)	697015, 5077
Vložka vzduchového filtra, plochá, vhodná na pranie	697153, 5078
Olej - SAE 30 (0,6 l)	100005

Servisné diely - Model: 310000	
Olej – SAE 30 (1,4 l)	100028
Olejový filter, štandardný - čierny	492932
Olejový filter, vysoko účinný - žltý	795890
Olejový filter, vysoko účinný - oranžový	798576
Účinné, moderné aditívum a stabilizátor do paliva	100117, 100120
Palivový filter - motor bez palivového čerpadla	394358, 5098
Palivový filter - motor s palivovým čerpadlom	691035, 6065
Zapaľovacia sviečka s odporom	491055
Platinová zapaľovacia sviečka s dlhou životnosťou	5066
Kľúč pre zapaľovaciu sviečku	89838, 5023
Skúšačka iskry	19368

Odporúčame, aby ste kvôli každej údržbe a servisu motora a dielov motora navštívili ktoréhokoľvek autorizovaného servisného zástupcu Briggs & Stratton.

Výkonové parametre: Celkový výkon jednotlivých benzínových motorov je označovaný v súlade s normou SAE (Spoločnosť automobilových inžinierov) J1940 Postup stanovovania výkonu a krútiaceho momentu malých motorov a určovaný v súlade s normou SAE J1995. Hodnoty krútiaceho momentu sú odvodené z otáčok 2600 ot./min. pri motoroch, ktoré majú na štítiku uvedené „rpm“, a 3060 ot./min. pri všetkých ostatných motoroch. Hodnoty výkonu (konská sila) sú odvodené pri 3600 ot./min. Krivky celkového výkonu si môžete pozrieť na stránke www.BRIGGSandSTRATTON.COM. Hodnoty užitočného výkonu sú určené pri namontovanom vzduchovom čističi a výfuku a hodnoty celkového výkonu sú určené bez týchto doplnkov. Skutočný celkový výkon motora bude vyšší ako užitočný výkon motora a bude okrem iného ovplyvnený okolitými prevádzkovými podmienkami a variabilitou jednotlivých motorov. Vzhľadom na veľký počet výrobkov, v ktorých môže byť motor nainštalovaný, benzínový motor nemusí dosahovať menovitý celkový výkon v prípade určitého motorového náradia. Tento rozdiel vzniká kvôli rôznym faktorom vrátane (okrem iného) prvkov motora (vzduchový čistič, výfuk, nabíjanie, chladenie, karburátor, palivové čerpadlo atď.), obmedzení aplikácie, okolitých prevádzkových podmienok (teplota, vlhkosť, nadmorská výška) a variability jednotlivých motorov. Kvôli výrobným a kapacitným obmedzeniam môže spoločnosť Briggs & Stratton motory tejto série nahradiť motorom s vyšším menovitým výkonom.

Záruka

Záruka na motory Briggs & Stratton

Platná od januára 2017

Obmedzená záruka

Spoločnosť Briggs & Stratton garantuje, že počas záručnej lehoty, ktorá je uvedená dole, zdarma opraví alebo vymení každú časť, ktorá je chybná, ak ide o materiálovú alebo výrobnú chybu, alebo kombináciu oboch. Prepravné náklady výrobku predloženého na opravu alebo výmenu podľa tejto záruky musí niesť kupujúci. Táto záruka platí na obdobie a za podmienok stanovených ďalej. Na účely vykonania záručného servisu vyhľadajte najbližšieho autorizovaného servisného predajcu pomocou našej mapy na vyhľadávanie predajcov na adrese BRIGGSandSTRATTON.COM. Kupujúci sa musí obrátiť na autorizovaného servisného predajcu a poskytnúť mu výrobok na kontrolu a testovanie.

Neexistuje žiadna iná výslovná záruka. Implikované záruky vrátane záruk predajnosti a vhodnosti na konkrétny účel, sú obmedzené na záručnú lehotu uvedenú ďalej alebo v rozsahu povolenom zákonom. Zodpovednosť za náhodné alebo následné škody je vylúčená v rozsahu vylúčenia dovoleného legislatívne. Niektoré štáty alebo krajiny neumožňujú obmedzenia alebo to, ako má dlho implikovaná záruka platiť, pričom niektoré štáty alebo krajiny neumožňujú vylúčenie alebo obmedzenie náhodných alebo následných škôd, a tak sa hore uvedené obmedzenie nemusí na vás vzťahovať. Táto záruka vám dáva konkrétne zákonné práva a taktiež môžete mať ďalšie práva, ktoré sú rôzne v rôznych štátoch a krajinách.⁴

Štandardné záručné podmienky 1, 2, 3

Značka / názov výrobku	Spotrebiteľské použitie	Obchodné použitie
Vanguard™; Komerčná séria	36 mesiacov	36 mesiacov
Motory s latínovou vložkou valca Dura-Bore™	24 mesiacov	12 mesiacov
Všetky ďalšie motory	24 mesiacov	3 mesiace

¹ Toto sú naše štandardné záručné podmienky, ale niekedy môže existovať doplnkové poistné krytie, ktoré neexistovalo v čase publikácie. Zoznam aktuálnych záručných podmienok pre svoj motor nájdete na stránkach BRIGGSandSTRATTON.com, alebo sa obráťte na svojho autorizovaného servisného predajcu Briggs & Stratton.

² Neexistuje žiadna záruka na motory na zariadeniach používaných ako zdroje elektrickej energie namiesto elektrárenského rozvodného podniku alebo ako záložné

zdroje elektrickej energie na komerčné účely. Motory používané na pretekánie alebo vo vozidlách pre priemysel, alebo prenajímaných vozidlách sú bez záruky.

³ Vanguard namontovaný v záložných generátoroch: 24 mesiacov pre spotrebiteľské použitie, žiadna záruka pre komerčné použitie. Vanguard namontovaný na úžitkových vozidlách: 24 mesiacov pre spotrebiteľské použitie, 24 mesiacov pre komerčné použitie. Komerčná séria s dátumom výroby pred júlom 2017, 24 mesiacov pre spotrebiteľské použitie, 24 mesiacov pre komerčné použitie.

⁴ V Austrálii – Náš tovar sa dodáva so zárukami, ktoré nemôžu byť vylúčené podľa austrálskeho práva na ochranu spotrebiteľov. Máte nárok na výmenu alebo vrátenie peňazí v prípade závažnej poruchy a na náhradu primerane predvídateľných strát alebo škôd. Tiež máte nárok na opravu alebo výmenu tovaru, ak opravený alebo vymenený tovar nedosahuje prijateľnú kvalitu, aj ak porucha takéhoto tovaru nepredstavuje závažnú poruchu. Keď potrebujete záručný servis, v našej mape na vyhľadávanie dodávateľov na webových stránkach BRIGGSandSTRATTON.COM vyhľadajte najbližší autorizovaný servis Briggs & Stratton, alebo zavolajte na telefónne číslo 1300 274 447 alebo pošlite email na adresu salesenquiries@briggsandstratton.com.au, alebo napíšte na normálnu poštovú adresu Briggs & Stratton Australia Pty Ltd, 1 Moorebank Avenue, Moorebank, NSW, Australia, 2170.

Záručná lehota začína plynúť od pôvodného dňa zakúpenia prvým maloobchodným alebo komerčným zákazníkom. „Spotrebiteľské použitie“ znamená používanie maloobchodným spotrebiteľom v rámci osobného, domáceho použitia. „Komerčné použitie“ znamená všetky ostatné použitia, vrátane používania na komerčné účely, zárobkovú činnosť alebo na účely prenajímania. Keď už bol raz motor použitý na komerčné účely, tak pre účely tejto záruky bude považovaný za komerčne používaný motor.

Ušchovajte si doklad o nákupe. Ak počas vykonávania záručného servisu neposkytnete doklad o prvotnom nákupe s uvedeným dátumom, na účel stanovenia záruky sa použije dátum výroby výrobku. Registrácia produktu nie je povinná na získanie záručného servisu na výrobky od spoločnosti Briggs & Stratton.

O vašej záruke

Táto záruka platí iba na chybný materiál alebo nesprávne spracovanie materiálu motora a nie na výmenu, alebo preplatenie zariadenia, na ktorom môže byť motor namontovaný. Táto záruka sa nevzťahuje na bežnú údržbu, nastavenie, alebo normálne opotrebenie a poškodenie. Podobne záruka neplatí, ak bol motor pozmenený alebo upravený, alebo ak bolo poškodené alebo odstránené výrobné číslo motora. Táto záruka neplatí na poškodenie motora alebo problémy s výkonom spôsobené:

1. Použitím dielov, ktoré nie sú originálnymi dielmi spoločnosti Briggs & Stratton;
2. Prevádzkovaním motora, v ktorom je nevhodný, znečistený olej, alebo olej nesprávnej triedy;
3. Používaním znečisteného alebo zvetralého paliva, benzínu s viac než 10 % primiešaného etanolu, alebo používaním alternatívnych palív, ako napríklad skvapalneného plynu alebo zemného plynu, v motoroch, ktoré neboli pôvodne navrhnuté/vyrobené spoločnosťou Briggs & Stratton na používanie týchto alternatívnych palív;
4. Špinou, ktorá vnikla do motora z dôvodu nesprávnej údržby alebo nesprávneho zmontovania vzduchového filtra;
5. Nárazom rotačného noža kosačky na trávu do pevného predmetu, uvoľneným, alebo nesprávne namontovaným adaptérom noža, uvoľneným ozubeným kolesom, alebo inými dielmi mechanicky spojenými s kľukovým hriadelom, alebo príliš silno napnutým klinovým remeňom;
6. Mechanicky pripojenými dielmi alebo zostavami, ako sú spojky, prevody, ovládače zariadenia, na ktorom je namontovaný motor atď., ktoré nie sú dodané spoločnosťou Briggs & Stratton;
7. Prehriatím spôsobeným pokosenou trávou, špinou, alebo hniezdami hlodavcov, ktoré upchajú alebo zanesú chladiace rebrá, alebo priestor zotrvačníka, alebo nedostatočným vzduchovým chladením pracujúceho motora;
8. Nadmernými vibráciami spôsobenými príliš vysokými otáčkami, uvoľneným uchytením motora, uvoľnenými alebo nevyváženými nožmi alebo ozubenými kolesami, alebo nesprávnym pripojením dielov zariadenia, na ktorom je namontovaný motor, ku kľukovému hriadelu;
9. Nesprávnym používaním, nedostatočnou bežnou údržbou, nesprávnou prepravou, manipuláciou, alebo skladovaním zariadenia, na ktorom je namontovaný motor, alebo nesprávnou montážou motora do zariadenia.

Záručný servis je k dispozícii len prostredníctvom autorizovaných servisných predajcov spoločnosti Briggs & Stratton. Vyhľadajte svoj najbližší autorizovaný servis na mape našich servisov na stránkach BRIGGSandSTRATTON.COM, alebo zavolajte na 1-800-233-3723 (v USA).

80004537 (Rev. C)

Priložnik vsebuje varnostne informacije, s katerimi vas seznanja z nevarnostmi in tveganji, povezanimi z motorji in kako se jim izogniti. Vsebuje tudi navodila za pravilno uporabo in nego motorja. Ker družba Briggs & Stratton nima vedno podatkov o tem, kateri stroj bo ta motor pogajal, morate prebrati in razumeti ta navodila in navodila stroja. **Originalna navodila shranite za uporabo v prihodnje.**

Opomba: Številke in ilustracije v tem priložniku so navedene le v vednost in se lahko razlikujejo od vašega specifičnega modela. Če imate vprašanja, se obrnite na svojega prodajalca.

Za nadomestne dele ali tehnično pomoč spodaj poleg datuma nakupa zabeležite številko modela, tipa in kodno številko motorja. Te številke se nahajajo na motorju (oglejte si poglavje **Deli in upravljalni vzvodi**).

Datum nakupa:	
Model motorja - Tip - Oprema	
Serijska številka motorja	

Poiščite 2D kodo na nekaterih motorjih. S pomočjo naprave, ki podpira branje 2D kode, si boste lahko ogledali spletno mesto, kjer imate dostop do podpornih informacij za ta izdelek. Prenos podatkov se zaračuna. Nekateri države nimajo na voljo spletnih podpornih informacij.



Informacije o recikliranju

		Vso embalažo, rabljeno olje in akumulatorje je treba reciklirati skladno z veljavnimi predpisi.
--	--	---

Varnost upravljavca

Simbol z varnostnim opozorilom in opozorilno besedo

Simboli varnostnih opozoril prikazujejo varnostne informacije o tveganjih, ki lahko povzročijo osebne poškodbe. Signalna beseda (NEVARNOST, OPOZORILO ali POZOR) se uporablja z opozorilnim simbolom za opozarjanje na verjetnost in potencialno resnost poškodbe. Poleg tega se lahko simbol za nevarnost uporablja za označevanje vrste nevarnosti.

NEVARNOST opozarja na tveganje, ki bo, če se mu ne izognemo, **povzročilo smrt ali težko poškodbo**.

OPOZORILO opozarja na tveganje, ki bi lahko, če se mu ne izognemo, **vodilo v smrt ali do težke poškodbe**.

POZOR nakazuje tveganje, ki lahko v primeru, če se mu ne izognemo, **povzroči manjšo ali srednje resno poškodbo**.

OBVESTILO nakazuje okoliščine, ki lahko povzročijo škodo na izdelku.

Simboli za nevarnost in pomeni

Simbol	Pomen	Simbol	Pomen
	Varnostni podatki o tveganjih, ki lahko vodijo k osebnim poškodbam.		Pred uporabo ali servisiranjem naprave preberite in upoštevajte uporabniški priložnik.

Simbol	Pomen	Simbol	Pomen
	Nevarnost požara		Nevarnost eksplozije
	Tveganje električnega udara.		Tveganje izpusta strupenih plinov
	Nevarnost zaradi vroče površine		Nevarnost hrupa - Pri daljši uporabi je priporočljiva zaščita za ušesa.
	Nevarnost izmeta predmetov - Nosite zaščitna očala.		Nevarnost eksplozije
	Nevarnost ozeblin		Nevarnost povratnega sunka
	Nevarnost amputacije - gibljivi deli		Nevarne kemikalije
	Nevarnost opeklin zaradi vročine		Jedko

Varnostna sporočila



OPOZORILO

Nekatere komponente v tem izdelku in njegovi povezani pripomočki vsebujejo kemikalije, za katere je v zvezni državi Kalifornija znano, da v določenih količinah povzročajo raka, porodne ali druge reproduktivne poškodbe. Po stiku z njimi si umijte roke.



OPOZORILO

Emisije motorja tega izdelka vsebujejo kemikalije, za katere je v zvezni državi Kalifornija znano, da v določenih količinah povzročajo raka, porodne ali druge reproduktivne poškodbe.



OPOZORILO

Briggs & Strattonovi motorji niso zasnovani in namenjeni za pogon: kartov za prosti čas; gokartov; otroških, rekreativnih ali športnih terenskih vozil (ATV); motornih koles; vozil na zračno blazino; zrakoplovnih izdelkov; ali vozil, uporabljenih na tekmovanjih, ki jih ni odobrilo podjetje Briggs & Stratton. Za informacije o izdelkih za tekmovalno dirkanje si oglejte www.briggsracing.com. Za uporabo z večnamenskimi vozili in štirikolesniki s sopotnikovim sedežem vzporedno z voznikovim (side-by-side) se obrnite na Briggs & Strattonov center za svetovanje glede uporabe motorjev (1-866-927-3349). Napačna uporaba motorja lahko pripelje do hudih poškodb ali smrti.



OPOZORILO



Gorivo in njegovi hlapi so izjemno vnetljivi in eksplozivni.

Ogenj ali eksplozija lahko povzročita težke opekline ali smrt.

Med dolivanjem goriva

- Izklopite motor in pustite, da se hladi vsaj 2 minuti, preden odstranite pokrovček rezervoarja za gorivo.
- Rezervoar za gorivo polnite zunaj ali v dobro zračenem prostoru.
- Rezervoarja za gorivo ne napolnite preveč. Gorivo ne sme segati prek spodnjega dela vratu rezervoarja za gorivo, da omogočite njegovo širjenje.

- Gorivo hranite proč od iskrenja, odprtega plamena, kontrolnih lučk, toplote in drugih vnetljivih virov.
- Pogosto preverjajte, ali so cevke, rezervoar, pokrovček in priključki za gorivo razpokani oziroma ali kje puščajo. Po potrebi jih zamenjajte.
- Če se gorivo razlije, počakajte, da izhlapi, preden zaženete motor.

Pri zagonu motorja

- Zagotovite, da so vžigalna svečka, dušilec, pokrovček rezervoarja za gorivo in zračni filter (če obstaja) na svojem mestu in pritrjeni.
- Ne zaganjajte motorja, če svečka ni vstavljena.
- Če motor zaliva, ročico za hladen zagon (če je nameščena) prestavite v položaj ODPRI/ZAŽENI, uplinjač (če je nameščen) prestavite v položaj HITRO in zaganjajte, dokler se motor ne zažene.

Med uporabo opreme

- Motorja ali opreme ne nagibajte pod kotom, ki bi povzročil razlivanje goriva.
- Ne uporabljajte dušilne lopute uplinjača za zaustavitev motorja.
- Motorja ne zaganjajte oziroma ga ne pustite teči, kadar je odstranjen sestav zračnega filtra (če obstaja) ali zračni filter (če obstaja).

Pri menjavi olja

- Če olje praznite skozi cev za dolivanje olja na vrhu, mora biti rezervoar za gorivo prazen, saj bi gorivo lahko izteklo in povzročilo požar ali eksplozijo.

Pri nagibanju enote zaradi vzdrževanja

- Pri vzdrževalnih delih, ki zahtevajo nagib enote, mora biti rezervoar za gorivo, če je nameščen na motorju, prazen, sicer lahko gorivo izteče in povzroči požar ali eksplozijo.

Pri prevozu opreme

- Napravo prevažajte s PRAZNIH rezervoarjem ali z ZAPRTIM ventilom za gorivo.

Pri shranjevanju goriva ali stroja z gorivom v rezervoarju

- Hranite stran od ognjišč, peči, grelcev za vodo ali drugih naprav, ki imajo kontrolno lučko ali drugi vir vžiga, ker lahko vžgejo hlape goriva.



OPOZORILO

Med zaganjanjem motorja pride do iskrenja.

Iskrenje lahko vžge bližnje vnetljive pline.

Lahko pride do eksplozije in požara.

- Če v okolici pušča zemeljski ali utekočinjeni naftni plin, ne zaganjajte motorja.
- Ne uporabljajte zagonskih tekočin pod tlakom, ker so hlapi vnetljivi.



OPOZORILO

NEVARNOST ZARADI STRUPENIH PLINOV. Izpuh motorja vsebuje ogljikov monoksid, strupen plin, ki vas lahko ubije v nekaj minutah. Plina **NE MORETE** videti, vonjati ali okusiti. Tudi če ne zaznate vonja izpušnih plinov, ste lahko kljub temu izpostavljeni ogljikovemu monoksidu. Če vam med uporabo tega izdelka postane slabo, oziroma začutite omotico ali slabotnost, pojdite **TAKOJ** na svež zrak. Poiščite zdravniško pomoč. Obstaja nevarnost zastrupitve z ogljikovim monoksidom.

- Izdelek uporabljajte SAMO na prostem, daleč stran od oken, vrat ali ventilacijskih jaškov. S tem boste zmanjšali tveganje povečanja koncentracije ogljikovega monoksida, ki bi lahko zašel v zaprte prostore.
- Namestite baterijske alarme za ogljikov monoksid ali alarme ogljikovega monoksida za vtičnico z baterijo v rezervi skladno z navodili izdelovalca. Dimni alarmi ne morejo zaznati ogljikovega monoksida.
- Izdelka NE zaganjajte doma, v garažah, kletih, kletih z nizkim stropom, utah ali drugih delno zaprtih prostorih, tudi če ima prostor dober prezračevalni sistem ali odprta okna in vrata. Ogljikov monoksid se v zaprtih prostorih lahko zelo hitro skoncentrira in ostane v prostoru več ur po tistem, ko ste ta izdelek že davno zaustavili.
- Ta izdelek naj bo VEDNO postavljen tako, da bo veter pihal stran od njega, izpuh motorja pa naj bo obrnjen stran od mest, kjer se nahajajo ljudje.



OPOZORILO

Hitri povratni vlek zaganjalne vrvi (povratni sunek) potegne roko proti motorju hitreje, kot lahko spustite ročko.

Zaradi tega lahko pride do zlomov kosti, prelomov, modric ali zvinov.

- Ko zaganjate motor, počasi vlecite zaganjalno vrv, dokler ne začutite upora, nato pa jo povlecite hitro, da preprečite povratni sunek.
- Pred zaganjanjem motorja odstranite vso zunanjo opremo/bremena motorja.
- Neposredno priključeni sestavni deli stroja, kot so na primer rezila, rotorji, jermenice, verižniki itd., morajo biti dobro pritrjeni.



OPOZORILO

Vrteči se deli lahko ujamejo ali ukleščijo roke, noge, lase, oblačila in modne dodatke.

Lahko pride do travmatične amputacije ali raztrganin.

- Med delovanjem opreme morajo biti nameščena varovala.
- Pazite, da vaše roke in noge ne pridejo blizu vrtečih se delov.
- Sprnite si dolge lase in odstranite nakit.
- Ne nosite ohlapnih oblačil, opletajočih vrvic ali predmetov, ki bi se lahko ujeli.



OPOZORILO

Delovanje motorja proizvaja toploto. Deli motorja, posebej dušilec, se močno segrejejo.

Ob stiku lahko pride do težkih opeklin.

Vnetljivi odpadki, kot so listje, trava, dračje itd., se lahko vnamejo.

- Pustite, da se dušilec, valj motorja in hladilna rebra ohladijo, preden se jih dotaknete.
- Iz območja okoli dušilca in valja odstranite odpadne delce.
- Po Oddelku 4442 kalifornijskega Zakona o javnih virih (Public Resource Code) je motorna naprava prepovedano uporabljati na vseh gozdnih, grmičastih in travnatih površinah, če nameščeni izpušni sistem ni opremljen z lovilecemer isker, ki je določen v oddelku 4442, in ustrezno vzdrževan v dobrem delovnem stanju. Druge zvezne države ali jurisdikcije imajo lahko podobne zakone. Obrnite se na proizvajalca, prodajalca ali trgovca originalne opreme, da vam priskrbi originalni lovilec isker, zasnovan za izpušni sistem, ki je nameščen na tem motorju.



OPOZORILO

Nenamerno iskrenje lahko povzroči ogenj ali električni udar.

Nenamerni zagon lahko povzroči zapletanje, travmatično amputacijo ali raztrganine.

Nevarnost požara

Pred nastavljanjem ali popravili:

- Odklopite kabel vžigalne svečke in ga hranite proč od svečke.
- Odklopite negativni pol akumulatorja (samo pri motorjih z električnim zagonom).
- Uporabljajte le ustrezno orodje.
- Vrtilne frekvence motorja ne povečujte s spreminjanjem krmilne vzmeti, povezav ali drugih delov.
- Nadomestni deli morajo biti enaki in nameščeni v enakem položaju kot prvotni deli. Zaradi neoriginalnih delov lahko pride do slabšega delovanja, okvare enote in poškodb.
- Vztrajnika ne udarjajte s kladivom ali trdim predmetom, ker lahko pozneje med delovanjem razpade.

Pri preizkušanju iskrenja:

- Uporabljajte odobreno napravo za preizkušanje vžigalne svečke.
- Iskrenja ne preverjajte, kadar so svečke odstranjene.










Deli in upravljalni vzvodi

Upravljalni vzvodi motorja

Primerjajte sliko (slika: 1, 2, 3) z motorjem, da se seznanite z mesti različnih delov in upravljalnih vzvodov.

- A. Identifikacijske številke motorja **Model - Tip - Koda**
- B. Vžigalna svečka
- C. Zračni filter
- D. Ročica zaganjalne vrvi (če obstaja)
- E. Merilna palica za olje
- F. Čep za izpust olja
- G. Izpuh, ščitnik izpuha (če obstaja), lovilec isker (če obstaja)
- H. Mrežica dovoda zraka
- I. Mrežica dovoda zraka
- J. Oljni filter (če obstaja)
- K. Električni zaganjalnik (če obstaja)
- L. Uplinjač
- M. Filter za gorivo (če obstaja)
- N. Črpalka za gorivo (če obstaja)
- O. Nastavek za hiter izpust olja (če obstaja)
- P. Električna krmilna enota (če obstaja)

Simboli za upravljanje motorja in njihovi pomeni

Simbol	Pomen	Simbol	Pomen
	Vrtljaji motorja - VISOKI		Vrtljaji motorja - NIZKI
	Vrtljaji motorja - ZAUŠTAVITEV		VKLOP - IZKLOP
	Zagon motorja - ZAPRTA dušilna loputa		Zagon motorja - ODPRTA dušilna loputa
	Pokrov za gorivo Zaporni ventil za gorivo - ODPRT		Zaporni ventil za gorivo - ZAPRT
	Raven goriva - največja Ne dolijte preveč olja		

Delovanje

Priporočila za olje

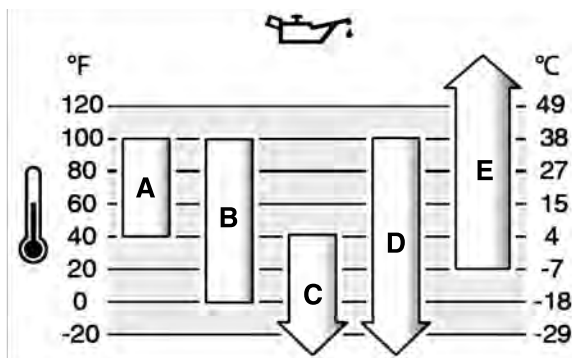
Prostornina posode za olje: Oglejte si poglavje **Specifikacije**.

OPOMBA

Podjetje Briggs & Stratton je motor dobavilo brez olja. Izdelovalci ali prodajalci opreme so morda v motor dolili olje. Pred prvim zagonom motorja preverite raven olja in dolijte olje v skladu z navodili v tem priročniku. Če zažene motor brez olja, se ta poškoduje tako, da ga ni več mogoče popraviti, in v tem primeru garancija ne velja.

Za najboljšo učinkovitost priporočamo uporabo garancijsko potrjenih olj podjetja Briggs & Stratton. Druga visokokokovostna detergentna olja so sprejemljiva, če so razvrščena kot olja SF, SG, SH, SJ ali boljša. Ne uporabljajte posebnih dodatkov.

Glede na zunanje temperature se določi ustrezna viskoznost olja za motor. S pomočjo diagrama izberite najboljšo viskoznost za pričakovan temperaturni razpon na prostem. Motorji, ki so nameščeni v večini zunanjih strojev, so dobro združljivi s sintetičnim oljem 5W-30. Strojem, ki delujejo pri visokih temperaturah, najboljšo zaščito zagotavlja sintetično olje Vanguard™ 15W-50.



A	SAE 30 - Pri temperaturah pod 4 °C (40 °F) bo uporaba olja SAE 30 povzročila težji zagon.
B	10W-30 - Nad 27 °C (80 °F) bi uporaba olja 10W-30 lahko povzročila povečano porabo olja. Pogosteje preverjajte raven olja.
C	5W-30
D	Sintetično olje 5W-30
E	Sintetično olje Vanguard™ 15W-50

Preverjanje ravni olja

Oglejte si sliko: 4

Pred dolivanjem ali preverjanjem olja

- Motor mora stati naravnost.
 - Z območja odprtine za dolivanje olja očistite umazanijo.
1. Izvlecite merilno palico (A, slika 4) in jo obrišite s čisto krpo.
 2. Vstavite in privijte merilno palico (A, slika 4).
 3. Izvlecite merilno palico za olje in preverite raven olja. Olje mora segati do oznake FULL (B, slika 4) na merilni palici.
 4. Če je olja premalo, ga počasi nalivajte v odprtino za dolivanje olja (C, slika 4). **Ne dolijte preveč olja.** Po dolitem olju počakajte eno minuto in nato ponovno preverite raven olja.

Opomba: Olja ne dolivajte skozi nastavek za hiter izpust olja, če obstaja. Za mesto si oglejte **Deli in upravljalni vzvodi**.

5. Vstavite in privijte merilno palico za olje (A, slika 4).

Sistem za nadzor prenizke ravni olja (če obstaja)

Nekateri motorji so opremljeni s tipalom za prenizko raven olja. Če je raven olja prenizka, bo tipalo vklopilo opozorilno lučko ali pa zaustavilo motor. Zaustavite motor in sledite tem korakom, preden motor ponovno zaženete.

- Motor mora stati naravnost.
- Preverite raven olja. Oglejte si poglavje Preverjanje ravni olja.
- Če je raven olja nizka, dolijte ustrezno količino olja. Zaženite motor in se prepričajte, da opozorilna lučka (če obstaja) ne gori.
- Če raven olja ni prenizka, motorja ne zaganjajte. Za odpravo težav z oljem se obrnite na pooblaščenega trgovca Briggs & Stratton.

Priporočila za gorivo

Gorivo mora izpolnjevati naslednje zahteve:

- Čist, svež neosvinčen bencin.
- Vsaj 87-oktanski/87 AKI (91 RON). Za uporabo na visokih nadmorskih višinah glejte spodaj.
- Sprejemljiv je bencin z vsebnostjo etanola do 10 % (gasohol).

OPOMBA Ne uporabljajte neodobrenih bencinov, kot sta E15 in E85. Ne mešajte olja v bencin in ne spreminjajte motorja za delovanje na alternativna goriva. Zaradi uporabe neodobrenih goriv se poškodujejo deli motorja, česar garancija ne krije.

Da bi sistem za gorivo zaščitili pred nabiranjem usedlin, v gorivo vmešajte stabilizator za gorivo. Oglejte si Shranjevanje. Vsa goriva niso enake kakovosti. Če se pojavijo težave pri zagonu ali delovanju, zamenjajte dobavitelja ali znamko goriva. Ta motor je odobren za delovanje na bencin. Sistem za nadzor emisij za ta motor je EM (Spremembe motorja).

Visoka nadmorska višina

Na višinah več kot 1524 metrov (5000 čevljev) morate uporabljati najmanj 85-oktanski bencin/85 AKI (89 RON).

Pri motorjih z uplinjačem je za ohranitev zmogljivosti potrebna nastavitve za visoke nadmorske višine. Delovanje brez teh nastavitve bo povzročilo zmanjšanje učinkovitosti, povečano porabo goriva in povečane emisije. Za informacije o prilagoditvi za visoke nadmorske višine se obrnite na pooblaščenega prodajalca Briggs & Stratton. Delovanje motorja pri nadmorskih višinah pod 762 metri s predelavo za uporabo na visoki nadmorski višini ni priporočljivo.

Pri motorjih z elektronskim vbrizgavanjem goriva predelava za uporabo na visoki nadmorski višini ni potrebna.

Dolivanje goriva

Oglejte si sliko 5



Gorivo in njegovi hlapi so izjemno vnetljivi in eksplozivni.

Ogenj ali eksplozija lahko povzročita težke opekline ali smrt.

Napotki za dolivanje goriva

- Izključite motor in pustite, da se le-ta ohlaja vsaj 2 minuti, preden odstranite pokrovček rezervoarja za gorivo.
 - Rezervoar za gorivo polnite zunaj ali v dobro zračenem prostoru.
 - Rezervoarja za gorivo ne napolnite preveč. Da omogočite širjenje goriva, nivo goriva ne sme segati prek spodnjega dela vratu rezervoarja za gorivo.
 - Gorivo hranite proč od iskrenja, odprtega plamena, kontrolnih lučk, toplote in drugih vnetljivih virov.
 - Cevke, rezervoar, pokrovček in napeljavo za gorivo pogosto pregledujte, da morda ni razpok ali kje ne puščajo. po potrebi jih zamenjajte;
 - Če se gorivo razlije, počakajte, da izhlapi, preden zaženete motor.
- Očistite umazanijo in smeti na površini okoli pokrova rezervoarja. Odstranite pokrovček rezervoarja za gorivo.
 - Rezervoar za gorivo (A, slika 5) napolnite z gorivom. Da omogočite širjenje goriva, ta ne sme segati prek spodnjega dela vratu rezervoarja za gorivo (B).
 - Ponovno namestite pokrovček rezervoarja za gorivo.

Zagon in zaustavitev motorja

Glejte sliko: 6

Zagon motorja



Hitri povratni vlek zaganjalne vrvi (povratni sunek) potegne roko proti motorju hitreje, kot lahko spustite ročko.

Lahko pride do zloma kosti, zmečkanin ali izpaha.

- Ko zaganjate motor, počasi vlecite zaganjalno vrv, dokler ne začutite upora, nato pa jo povlecite hitro, da preprečite povratni sunek.



Gorivo in njegovi hlapi so izjemno vnetljivi in eksplozivni.

Ogenj ali eksplozija lahko povzroči hude opekline ali smrt.

Pri zagonu motorja

- Poskrbite, da bodo vžigalna svečka, izpuh, pokrovček rezervoarja za gorivo in zračni filter (če obstaja) na svojem mestu in pritrjeni.
- Ne zaganjajte motorja, če svečka ni vstavljena.

- Če gorivo zalije motor, nastavite dušilno loputo (če obstaja) v položaj vklop / zagon, regulator plina (če obstaja) premaknite v položaj za hitro delovanje in zaganjajte, dokler se motor ne zažene.



NEVARNOST ZARADI STRUPENIH PLINOV. Izpušni plin iz motorja vsebuje ogljikov monoksid, strupen plin, ki je lahko hitro usoden. Plina NE vidite, ne vohate in ne okusite. Tudi če ne zaznate vonja izpušnih plinov, ste lahko kljub temu izpostavljeni ogljikovemu monoksidu. Če vam med uporabo tega izdelka postane slabo, se vam začne vrteti ali postanete šibki, ga ugasnite in pojdite TAKOJ na svež zrak. Obiščite zdravnika. Obstaja nevarnost zastrupitve z ogljikovim monoksidom.

- S tem izdelkom upravljajte LE zunaj, daleč stran od oken, vrat ali prezračevalnikov, da zmanjšate nevarnost kopičenja ogljikovega monoksida in da ta ne prehaja na mesta, kjer se zadržujejo ljudje.
- Namestite baterijske alarmne naprave za zaznavanje ogljikovega monoksida ali alarmne naprave za zaznavanje ogljikovega monoksida za vtičnice z nadomestnim napajanjem z baterijo v skladu s proizvajalčevimi navodili. Alarmne naprave za zaznavanje dima ne morejo zaznati ogljikovega monoksida.
- Izdelka NE zaganjajte v zaprtih ali delno zaprtih prostorih, tudi če ima prostor dober prezračevalni sistem ali odprta okna in vrata. Ogljikov monoksid se v zaprtih prostorih lahko zelo hitro skoncentrira in ostane v prostoru več ur po tistem, ko ste motor že davno zaustavili.
- Ta izdelek naj bo VEDNO postavljen tako, da bo veter pihal stran od njega, izpuh motorja pa naj bo obrnjen stran od mest, kjer se zadržujejo ljudje.

OPOMBA Podjetje Briggs & Stratton dobavi motorje brez olja. Pred zagonom motorja dolijte olje v skladu z navodili v tem priročniku. Če zaženete motor brez olja, se le-ta poškoduje in v tem primeru garancija ne velja.

Določitev zaganjalnega sistema

Preden zaženete motor, morate določiti tip zaganjalnega sistema na vašem motorju. Motor ima enega od naslednjih tipov.

- Sistem ReadyStart®:** Vključuje temperaturno nadzorovano samodejno dušilno loputo. Ta tip nima črpalke za hladni zagon.
- Sistem elektronskega vbrizgavanja goriva:** Ima elektronsko krmilno enoto, ki nadzoruje stanje motorja in temperaturo. Nima ročne dušilne lopute ali črpalke za hladni zagon.
- Sistem dušilne lopute:** Sistem dušilne lopute: Vključuje dušilno loputo za zagon pri nizkih temperaturah. Nekateri modeli imajo ločeno ročico za dušilno loputo, medtem ko imajo drugi kombinirano ročico za dušilno loputo / reguliranje plina. Ta tip nima črpalke za hladni zagon.

Za zagon motorja upoštevajte navodila za vaš tip zaganjalnega sistema.

Opomba: * Stroj ima morda regulatorje za daljinsko upravljanje. Za mesto in delovanje regulatorjev glejte priročnik stroja.

Sistem ReadyStart®

- Preverite motorno olje. Glejte poglavje **Preverjanje ravni olja**.
- Poskrbite, da bodo pogonski regulatorji, če obstajajo, sproščeni.
- Zaporni ventil za gorivo (A, slika 6), če obstaja, obrnite v odprt položaj.
- Regulator plina (B, slika 6), če obstaja, premaknite v položaj za hitro delovanje. Med delovanjem motorja naj bo regulator plina v položaju za hitro delovanje.

Opomba: Za zagon v hladnem vremenu (pod 0 °C), premaknite kombinirano ročico za dušilno loputo / reguliranje plina (B C, slika 6) v položaj dušilne lopute.

- Stikalo na ključ, če obstaja:** Stikalo na ključ (D, slika 6) obrnite v položaj za vklop / zagon.

Gumb za zagon / zaustavitev, če obstaja: Pritisnite gumb za zagon / zaustavitev (F, slika 6).

OPOMBA Da bi podaljšali življenjsko dobo zaganjalnika, napravo zaganjajte v kratkih zagonskih ciklih (največ po pet sekund). Med intervali zaganjanja počakajte eno minuto.

Opomba: Če se motor po več poskusih zagona ne zažene, se obrnite na krajevnega trgovca ali pojdite na BRIGGSandSTRATTON.com ali pokličite **1-800-233-3723** (v ZDA).

Sistem elektronskega vbrizgavanja goriva

- Preverite motorno olje. Glejte poglavje **Preverjanje ravni olja**.
- Poskrbite, da bodo pogonski regulatorji, če obstajajo, sproščeni.

- Zaporni ventil za gorivo (A, slika 6), če obstaja, obrnite v odprt položaj.
- Regulator plina (B, slika 6), če obstaja, premaknite v položaj za hitro delovanje. Med delovanjem motorja naj bo regulator plina v položaju za hitro delovanje.
- Povratni zaganjalnik, če obstaja:** Stikalo na ključ (D, slika 6) obrnite v položaj za vklop / zagon.
- Povratni zaganjalnik, če obstaja:** Dobro primate ročico zaganjalne vrvi (E, slika 6). Počasi jo vlecite, dokler ne začutite upora, nato jo povlecite hitro.



OPOZORILO

Zaradi hitrega povratnega vleka zaganjalne vrvi (povratni sunek) potegne roko proti motorju hitreje, kot lahko spustite zaganjalno vrv. Lahko pride do zloma kosti, zmečkanin ali izpaha. Ko zaganjate motor, počasi vlecite zaganjalno vrv, dokler ne začutite upora, nato pa jo povlecite hitro, da preprečite povratni sunek.

- Električni zagon, če obstaja:** Stikalo na ključ (D, slika 6) obrnite v položaj za vklop / zagon.

OPOMBA Da bi podaljšali življenjsko dobo zaganjalnika, napravo zaganjajte v kratkih zagonih ciklih (največ po pet sekund). Med intervali zaganjanja počakajte eno minuto.

Opomba: Če se motor po več poskusih zagona ne zažene, se obrnite na krajevnega trgovca ali pojdite na **BRIGGSandSTRATTON.com** ali pokličite **1-800-233-3723** (v ZDA).

Sistem dušilne lopute

- Preverite motorno olje. Glejte poglavje **Preverjanje ravni olja**.
- Poskrbite, da bodo pogonski regulatorji, če obstajajo, sproščeni.
- Zaporni ventil za gorivo (A, slika 6), če obstaja, obrnite v odprt položaj.
- Regulator plina (B, slika 6), če obstaja, premaknite v položaj za hitro delovanje. Med delovanjem motorja naj bo regulator plina v položaju za hitro delovanje.
- Regulator dušilne lopute (C, slika 6) premaknite v zaprt položaj. Pri modelih s kombinirano ročico za dušilno loputo / reguliranje plina (B C) ročico premaknite v položaj dušilne lopute.

Opomba: Dušilna loputa običajno ni potrebna, če ponovno zaganjate topel motor.

- Povratni zaganjalnik, če obstaja:** Stikalo na ključ (D, slika 6) obrnite v položaj za vklop / zagon.
- Povratni zaganjalnik, če obstaja:** Dobro primate ročico zaganjalne vrvi (E, slika 6). Počasi jo vlecite, dokler ne začutite upora, nato jo povlecite hitro.



OPOZORILO

Zaradi hitrega povratnega vleka zaganjalne vrvi (povratni sunek) potegne roko proti motorju hitreje, kot lahko spustite zaganjalno vrv. Lahko pride do zloma kosti, zmečkanin ali izpaha. Ko zaganjate motor, počasi vlecite zaganjalno vrv, dokler ne začutite upora, nato pa jo povlecite hitro, da preprečite povratni sunek.

- Električni zagon, če obstaja:** Stikalo na ključ (D, slika 6) obrnite v položaj za vklop / zagon.

OPOMBA Da bi podaljšali življenjsko dobo zaganjalnika, napravo zaganjajte v kratkih zagonih ciklih (največ po pet sekund). Med intervali zaganjanja počakajte eno minuto.

- Ko se motor segreje, premaknite regulator dušilne lopute (C, slika 6) v odprt položaj. Pri modelih s kombinirano ročico za dušilno loputo / reguliranje plina (B C) ročico premaknite v položaj za hitro delovanje.

Opomba: Če se motor po več poskusih zagona ne zažene, se obrnite na krajevnega trgovca ali pojdite na **BRIGGSandSTRATTON.com** ali pokličite **1-800-233-3723** (v ZDA).

Zaustavitev motorja



OPOZORILO



Gorivo in njegovi hlapi so izjemno vnetljivi in eksplozivni.

Ogenj ali eksplozija lahko povzroči hude opekline ali smrt.

- Zaustavitev motorja ne uporabljajte dušilne lopute uplinjača.
- Stikalo na ključ, če obstaja:** Ko je regulator plina v položaju za hitro delovanje, obrnite stikalo na ključ (D, slika 6) v položaj za izklop. Odstranite ključ in ga hranite na varnem zunaj dosega otrok.

Gumb za zagon / zaustavitev, če obstaja: Ko je regulator plina v položaju za hitro delovanje, pritisnite gumb za zagon / zaustavitev (F, slika 6).

- Po zaustavitvi motorja obrnite zaporni ventil, če obstaja, za gorivo z zaprt položaj (A, slika 6).

Vzdrževanje

OPOMBA Če motor med vzdrževanjem nagnete, mora biti rezervoar za gorivo, če je nameščen na motor, prazen, stran z vžigalno svečko pa mora biti zgoraj. Če rezervoar za gorivo ni prazen in bo motor nagnjen, ga bo morda težko zagnati, ker olje ali bencin onesnažita zračni filter in/ali vžigalno svečko.



OPOZORILO

Pri vzdrževalnih delih, ki zahtevajo nagib enote, mora biti rezervoar za gorivo prazen, ker lahko v nasprotnem primeru gorivo izteče in povzroči požar ali eksplozijo.

Priporočamo, da se obrnete na katerega koli pooblaščenega trgovca Briggs & Stratton za vsa vzdrževalna dela in servisiranje motorja in njegovih delov.

OPOMBA Za pravilno delovanje morajo vsi sestavni deli motorja ostati na svojem mestu.



OPOZORILO

Nenamerno iskrenje lahko povzroči ogenj ali električni udar.

Nenamerni zagon lahko povzroči zapletanje, travmatično amputacijo ali rano.

Nevarnost požara

Pred nastavljanjem ali popravili:

- Snemite kabel vžigalne svečke in ga hranite proč od svečke.
- Odklopite negativni pol akumulatorja (samo pri motorjih z električnim zagonom).
- Uporabljajte le pravo orodje.
- Vrtilne frekvence motorja ne povečujte s spreminjanjem krmilne vzmeti, povezav ali drugih delov.
- Nadomestni deli morajo biti enaki in nameščeni v enakem položaju kot originalni deli. Zaradi neoriginalnih delov lahko pride do slabšega delovanja, okvare enote in poškodb.
- Vztrajnika ne udarjajte s kladivom ali trdim predmetom, ker lahko kasneje med delovanjem razpade.

Pri preizkušanju iskrenja:

- Uporabljajte odobreno napravo za preizkušanje vžigalne svečke.
- Iskrenja NE preverjajte z odstranjeno svečko.

Servis delov za nadzor emisij

Vzdrževalna dela, zamenjave ali popravila naprav in sistemov za nadzor emisij lahko izvrši vsaka poslovalnica za popravila izvencestnih motorjev ali posameznik. Če pa želite »brezplačen« servis delov za nadzor emisij, ga mora izvršiti s strani tovarne pooblaščen trgovec. Oglejte si izjave o nadzoru emisij.

Razpored vzdrževanja

Po prvih 5-ih urah
<ul style="list-style-type: none"> Zamenjava olja ³
Vsaki 8 ur ali dnevno
<ul style="list-style-type: none"> Preverite raven motornega olja Očistite območje okrog izpuha in upravljalnih vzvodov Očistite mrežico dovoda zraka
Vsaki 25 ur ali letno
<ul style="list-style-type: none"> Očistite zračni filter ¹ Očistite predfilter (če obstaja) ¹
Vsaki 50 ur ali letno
<ul style="list-style-type: none"> Zamenjava motornega olja ⁴ Zamenjajte oljni filter (če obstaja) ⁴ Servisirajte izpušni sistem
Vsaki 100 ur ali letno

- Zamenjava motornega olja ⁵
- Zamenjajte oljni filter (če obstaja) ⁵

Letno

- Zamenjajte vžigalno svečko
- Zamenjajte zračni filter
- Zamenjajte predfilter, (če obstaja)
- Zamenjajte filter za gorivo (če obstaja)
- Servisirajte sistem za gorivo
- Servisirajte hladilni sistem ¹
- Preverite režo ventila ²

¹ V prašnih razmerah ali ob prisotnosti delcev v zraku očistite večkrat.

² Ni potrebno, razen če opazite težave pri delovanju motorja.

³ Le motorji brez oljnega filtra.

⁴ Motorji brez oljnega filtra ali s standardnim črnim oljnim filtrom (oglejte si stran

Specifikacije za številko dela).

⁵ Motorji z učinkovitim rumenim ali oranžnim oljnim filtrom (oglejte si stran

Specifikacije za številko dela).

- Pustite, da se izpuh, valj motorja in hladilna rebra ohladijo, preden se jih dotaknete.
- Odstranite material, ki se je nabral na območju izpuha in valja.
- Uporaba stroja na podlagi, prekriti z zemljo, grmičevjem ali travo, predstavlja kršitev Zakonika o o javnih virih Kalifornije (California Public Resource Code), Oddelek 4442, razen če je izpušni sistem opremljen z varovalom pred iskrami, kot je opredeljeno v Poglavju 4442, ki je vzdrževano v funkcionalnem stanju. Druge države ali zvezne oblasti imajo lahko podobne zakone. Obrnite se na proizvajalca, pooblaščenega prodajalca ali zastopnika originalne opreme, da vam priskrbi originalni lovilec isker za izpušni sistem, ki je nameščen na motorju.

Odstranite material, ki se je nabral na izpuhu in valju. Preglejte izpuh zaradi morebitnih razpok, zarjavelosti ali drugih poškodb. Odstranite lovilec isker, če obstaja, in preverite morebitne poškodbe ali nakopičenost ogljika. Če odkrijete poškodbe, pred začetkom uporabe namestite nadomestne dele.



OPOZORILO

Nadomestni deli morajo biti enaki in nameščeni v enakem položaju kot originalni deli. Zaradi neoriginalnih delov lahko pride do slabšega delovanja, okvare enote in poškodb.

Sistem elektronskega vbrizgavanja goriva

Sistem elektronskega vbrizgavanja goriva nadzoruje temperaturo motorja, hitrost motorja in napetost akumulatorja za uravnavanje dušilne lopute med zagonom in ogrevanjem motorja. Sistem nima možnosti prilagajanja. Če pride do težav pri zagonu ali delovanju, se obrnite na pooblaščenega trgovca izdelkov Briggs & Stratton.

OPOMBA Upoštevati morate spodnje korake, sicer se lahko sistem za elektronsko vbrizgavanje goriva poškoduje.

- Motorja ne zaganjajte, če so kabli akumulatorja slabo pritrjeni.
- Pred odklopom, odstranitvijo in/ali namestitvijo akumulatorja obrnite ključ v položaj za izklop.
- Za zagon motorja ne uporabljajte polnilnika akumulatorja.
- Med delovanjem motorja ne odklapljajte kablov akumulatorja.
- Pri priključevanju kablov akumulatorja na akumulator najprej priključite pozitivni (+) kabel in nato še negativnega (-).
- Pri polnjenju akumulatorja obrnite stikalo za zagon v položaj za zaustavitev in odklopite negativni (-) kabel z akumulatorja.
- Elektronske krmilne enote ne pršite z vodo.

Uplinjač in vrtljaji motorja

Uplinjača ali vrtljajev motorja ne nastavljajte sami. Uplinjač je tovarniško nastavljen za učinkovito delovanje v večini razmer. Vrtljajev motorja ne spreminjajte s spreminjanjem krmilne vzmeti, povezav ali drugih delov. Če so potrebne kakršnekoli nastavitve, se za servisno pomoč obrnite na pooblaščen servisni center podjetja Briggs & Stratton.

OPOMBA Proizvajalec stroja določa najvišje vrtljaje motorja, nameščenega na stroj. Ne prekoračite teh vrtljajev. Če niste prepričani, kakšna je najvišja hitrost stroja ali na kakšne vrtljaje je motor tovarniško nastavljen za delovanje, se za pomoč obrnite na pooblaščen servisno delavnico Briggs & Stratton. Za varno in pravilno delovanje stroja mora vrtljaje motorja nastaviti le usposobljen strokovnjak.

Zamenjava vžigalne svečke

Oglejte si sliko 7

Preverite razmak (A, slika 7) z merilnim lističem (B). Po potrebi razmak ponastavite. Vžigalno svečko namestite in privijte do priporočenega zateznega momenta. Za nastavev razmaka ali zatezni moment si oglejte poglavje Specifikacije.

Opomba: *Na nekaterih področjih krajevna zakonodaja zahteva uporabo uporovne svečke za slabšji signalov vžiga. Če je bil motor v začetku opremljen z uporovno svečko, uporabite isto vrsto svečke za zamenjavo.

Servisiranje izpušnega sistema



OPOZORILO

Tek motorja proizvaja toploto. Deli motorja, posebej izpuh, se močno segrejejo.

Ob dotiku lahko pride do težkih opeklin.

Vnetljivi odpadki, kot so listje, trava, dračje itd., se lahko vnamejo.

Zamenjava motornega olja

Oglejte si sliko: 8, 9, 10, 11

Uporabljen olje je nevaren odpadni proizvod in ga je treba odlagati na pravilen način. Ne odlagajte ga z gospodinjskimi odpadki. Za varno odlaganje/recikliranje se obrnite na krajevne oblasti, servisni center ali pooblaščenega trgovca.

Odstranjevanje olja

1. Ob ugasnjenem, a še vedno toplem motorju snemite kabel vžigalne svečke (D, slika 8) in ga hranite proč od svečke (E).
2. Izvlecite merilno palico za olje (A, slika 9).

Čep za izpust olja, če obstaja

1. Odstranite čep za izpust olja (F, slika 10). Olje izpusite v odobreno posodo.

Opomba: Na motor lahko namestite poljuben čep za izpust olja (G, slika 10).

2. Po izpustu olja namestite in privijte čep za izpust olja (F, slika 10).

Nastavek za hiter izpust olja, če obstaja

1. S stranskega dela motorja snemite cev za hiter izpust olja (H, slika 11).
2. Obrnite in odstranite pokrovček za izpust olja (I, slika 11). Nastavek za hiter izpust olja (H) previdno spustite nad odobreno posodo (J).
3. Po izpustu olja namestite pokrovček za izpust olja (I, slika 11). Na stranski del motorja pritrdite cev za hiter izpust olja (H).

Zamenjajte oljni filter, če obstaja

Nekateri modeli so opremljeni z oljnim filtrom. Za intervale za zamenjavo si oglejte **Razpored vzdrževanja**.

1. Olje izpusite iz motorja. Oglejte si poglavje **Odstranjevanje olja**.
2. Odstranite oljni filter (K, slika 9) in ga pravilno zavržite.
3. Preden namestite nov oljni filter, rahlo namažite tesnilo filtra s svežim čistim oljem.
4. Oljni filter privijajte ročno, da pride tesnilo v stik z adapterjem filtra, nato filter privijte za 1/2 do 3/4 obrata.
5. Dolijte olje. Oglejte si poglavje **Dolivanje olja**.
6. Zaženite motor in pustite, da teče. Ko se motor ogreva, preverite morebitno iztekanje olja.
7. Zaustavite motor in preverite raven olja. Olje mora segati do oznake FULL (B, slika 9) na merilni palici.

Dolivanje olja

- Motor mora stati naravnost.
- Z območja odprtine za dolivanje olja očistite umazanijo.
- Za količino olja si oglejte poglavje **Specifikacije**.

1. Izvlecite merilno palico (A, slika 9) in jo obrišite s čisto krpo.
2. Počasi nalivajte olje v odprtino za dolivanje olja (C, slika 9). **Ne dolijte preveč olja.** Po dolitem olju počakajte eno minuto in nato preverite raven olja.

Opomba: Olja ne dolivajte skozi nastavek za hiter izpust olja, (H, slika 11), če obstaja.

3. Vstavite in privijte merilno palico (A, slika 9).
4. Izvlecite merilno palico za olje in preverite raven olja. Olje mora segati do oznake FULL (B, slika 9) na merilni palici.
5. Vstavite in privijte merilno palico za olje (A, slika 9).
6. Priključite kabel vžigalne svečke (D, slika 8) na vžigalno svečko (E).

Servisiranje zračnega filtra

Oglejte si sliko: 12, 13



OPOZORILO

Gorivo in njegovi hlapi so izjemno vnetljivi in eksplozivni.

Ogenj ali eksplozija lahko povzroči težke opekline ali smrt.

- Motorja ne zaganjajte oziroma ga ne pustite teči, ko je odstranjen sestav zračnega filtra (če obstaja) ali zračni filter (če obstaja).

OPOMBA Za čiščenje filtra ne uporabljajte zraka pod tlakom ali topil. Zrak pod tlakom lahko poškoduje filter, topila pa ga raztopijo.

Servisne zahteve si oglejte v **Razporedu vzdrževanja**.

Različni modeli uporabljajo penasti ali papirnati filter. Nekateri modeli so opremljeni tudi s predfiltrim, ki ga je mogoče oprati in ponovno uporabiti. Primerjajte ilustracije v tem priročniku za vrsto, nameščeno na vaš motor, in servisirajte po napotkih.

Papirnati zračni filter

1. Navzgor povlecite ročico pokrova (A, slika 12). Obrnite jo proti motorju in odstranite pokrov (B).
2. Odstranite predfilter (C, slika 12), če obstaja, in filter (D).
3. Umazanijo očistite tako, da s filtrom (D, slika 12) rahlo potolčete ob trdo površino. Če je filter prekomerno umazan, ga zamenjajte z novim.
4. Predfilter (C, slika 12) operite s tekočim detergentom in vodo. Pustite, da se predfilter (C) povsem posuši na zraku. **Ne** oljite predfiltra.
5. Suh predfilter (C, slika 12) in filter (D) namestite v nosilec na motorju (E).
6. Poravnajte jezičke (F, slika 12) na pokrovu (B) z režami (G) v ohišju ventilatorja.
7. Ročico pokrova (A, slika 12) obrnite nazaj in potisnite navzdol, da se zaskoči.

Papirnati zračni filter

1. Sprostite spojna vijaka (A, slika 13).
2. Odstranite pokrov (B, slika 13).
3. Za odstranitev filtra (C, slika 13), dvignite njegov konec in filter povlecite z dovodno odprtine (D).
4. Umazanijo očistite tako, da s filtrom (C, slika 13) rahlo potolčete ob trdo površino. Če je filter prekomerno umazan, ga zamenjajte z novim.
5. Odstranite predfilter (E, slika 13), če obstaja, s filtra (C).
6. Predfilter (E, slika 13), če obstaja, operite s tekočim detergentom in vodo. Pustite, da se povsem posuši na zraku. **Ne** oljite predfiltra.
7. Suh predfilter (E, slika 13), če obstaja, namestite na filter (C).
8. Namestite filter (C, slika 13) na dovodno odprtino (D). Konec filtra pritisnite na podlago, kot je prikazano. Poskrbite, da se filter prilega podlagi.
9. Namestite pokrov zračnega filtra (B, slika 13) in ga pritrdite s spojnim vijakoma (A).

Servisiranje sistema za gorivo

Oglejte si sliko: 14, 15



OPOZORILO

Gorivo in njegovi hlapi so izjemno vnetljivi in eksplozivni.

Ogenj ali eksplozija lahko povzroči težke opekline ali smrt.

- Gorivo hranite proč od iskrenja, odprtega plamena, kontrolnih lučk, toplote in drugih vnetljivih virov.
- Redno preverjajte morebitno puščanje vodov za gorivo, rezervoarja, pokrovčka in priključkov. Po potrebi zamenjajte.

- Pred čiščenjem ali zamenjavo filtra za gorivo izpraznite rezervoar za gorivo ali zaprite zaporni ventil za gorivo.
- Če se gorivo razlije, počakajte, da izhlapi, preden zaženete motor.
- Nadomestni deli morajo biti enaki in nameščeni na enakem položaju kot originalni deli.

Filter za gorivo, če je na voljo

1. Pred čiščenjem ali zamenjavo filtra za gorivo (A, slika 14) izpraznite rezervoar za gorivo ali zaprite zaporni ventil za gorivo. V nasprotnem primeru gorivo lahko izteče in povzroči požar ali eksplozijo.
2. S kleščami stisnite jezičke (B, slika 14) na objemkah (C), nato pa objemki potisnite stran od filtra za gorivo (A). Voda za gorivo (D) obrnite in povlecite s filtra za gorivo.
3. Voda za gorivo (D, slika 14) preverite zaradi morebitnih razpok ali luknjic. Po potrebi zamenjajte.
4. Filter za gorivo (A, slika 14) zamenjajte z originalnim nadomestnim filtrom.
5. Voda za gorivo (D, slika 14) pričrvtite z objemkama (C), kot je prikazano.

Filter za gorivo, če je na voljo

1. Odstranite pokrovček rezervoarja za gorivo (A, slika 15).
2. Odstranite filter za gorivo (A, slika 15).
3. Če je filter za gorivo umazan, ga očistite ali zamenjajte. Če menjate filter za gorivo, ga zamenjajte z originalnim nadomestnim filtrom.

Servisiranje hladilnega sistema



OPOZORILO

Delujoči motorji se segrevajo. Deli motorja, posebej izpuh, se močno segrejejo.

Ob dotiku lahko pride do težkih opeklin.

Vnetljivi odpadki, kot so listje, trava, dračje itd., se lahko vnamejo.

- Pustite, da se izpuh, valj motorja in hladilna rebra ohladijo, preden se jih dotaknete.
- Odstranite material, ki se je nabral na območju izpuha in valja.

OPOMBA Motorja ne čistite z vodo. Voda lahko onesnaži sistem za gorivo. Motor čistite s ščetko ali suho krpo.

Ta motor je zračno hlajen. Umazanija ali delci lahko ovirajo pretok zraka in povzročijo prekomerno segrevanje motorja, posledica česar je slabo delovanje in skrajšana življenjska doba motorja.

1. S ščetko ali suho krpo odstranite delce z mrežice dovoda zraka.
2. Regulator, vzmeti in krmilni elementi naj bodo čisti.
3. Na območju okrog izpuha in za njim naj ne bo vnetljivih odpadkov.
4. Poskrbite, da na rebrih hladilnika olja ne bo umazanije in delcev.

Sčasoma se lahko na hladilnih rebrih valja naberejo delci in povzročijo prekomerno segrevanje motorja. Teh delcev ni mogoče odstraniti, ne da bi delno razstavili motor. Sistem za zračno hlajenje naj pregledajo in očistijo na pooblaščenem servisu Briggs & Stratton, kot je priporočeno v Tabeli vzdrževanja.

Shranjevanje



OPOZORILO

Gorivo in njegovi hlapi so izjemno vnetljivi in eksplozivni.

Ogenj ali eksplozija lahko povzročita hude opekline ali smrt.

Pri shranjevanju goriva ali stroja z gorivom v rezervoarju

- Hranite stran od peči, štedilnikov, grelnikov za vodo ali drugih naprav, ki imajo kontrolne lučke ali druge vire vžiga, saj lahko vžgejo hlape goriva.

Sistem za gorivo

Oglejte si sliko: 16

Motor naj bo med hrambo v vodoravni legi (običajen položaj za delovanje). Napolnite rezervoar za gorivo (A, slika 16) z gorivom. Napolnite le do spodnjega roba vratu rezervoarja (B), da omogočite širjenje goriva.

Gorivo lahko postane postano, če ga hranite več kot 30 dni. Zaradi postane goriva se tvorijo kislinke in lepljive usedline v sistemu za gorivo oziroma v pomembnih delih uplinjača. Da bi gorivo ostalo sveže, uporabite **Sredstvo za obdelavo goriva s stabilizatorjem z izpopolnjeno formulo Briggs & Stratton**, ki je na voljo povsod, kjer so na prodaj originalni nadomestni deli Briggs & Stratton.

Iz motorja ni treba izpuščati goriva, če stabilizator goriva dodamo v skladu z navodili. Pustite motor teči dve (2) minuti, da pred hrambo stabilizator zakroži po sistemu goriva.

Če gorivo v motorju ne dodate stabilizatorja goriva, morate gorivo iztočiti v ustrezno posodo. Pustite motor teči, dokler mu ne zmanjka goriva. Za ohranitev svežine goriva priporočamo uporabo stabilizatorja goriva v posodi za shranjevanje.

Motorno olje

Ko je motor še topel, zamenjajte motorno olje. Oglejte si poglavje **Zamenjava motornega olja**.

Odpravljanje težav

Za pomoč se obrnite na trgovca ali pojdite na **BRIGGSandSTRATTON.com** ali pokličite **1-800-233-3723** (v ZDA).

Specifikacije

Model: 210000	
Gibna prostornina	21.01 ci (344 cc)
Vrtina valja	3.437 in (87,30 mm)
Hod bata	2.264 in (57,51 mm)
Količina olja – brez filtra	42 - 44 oz (1,24 - 1,30 L)
Količina olja – s filtrom	46 - 48 oz (1,36 - 1,40 L)
Razmak med elektrodama vžigalne svečke	0.030 in (0,76 mm)
Zatezni moment za vžigalno svečko	180 lb-in (20 Nm)
Zračna rega ohišja	0.010 - 0.014 in (0,25 - 0,36 mm)
Reža sesalnega ventila	0.003 - 0.005 in (0,08 - 0,13 mm)
Reža izpušnega ventila	0.005 - 0.007 in (0,13 - 0,18 mm)

Model: 310000	
Gibna prostornina	30.59 ci (501 cc)
Vrtina valja	3.563 in (90,49 mm)
Hod bata	3.062 in (77,77 mm)
Količina olja – brez filtra	42 - 44 oz (1,24 - 1,30 L)
Količina olja – s filtrom	46 - 48 oz (1,36 - 1,40 L)
Razmak med elektrodama vžigalne svečke	0.030 in (0,76 mm)
Zatezni moment za vžigalno svečko	180 lb-in (20 Nm)
Zračna rega ohišja	0.010 - 0.014 in (0,25 - 0,36 mm)
Reža sesalnega ventila	0.003 - 0.005 in (0,08 - 0,13 mm)
Reža izpušnega ventila	0.005 - 0.007 in (0,13 - 0,18 mm)

Moč motorja se zmanjša za 3,5 % na vsakih 1000 čevljev (300 metrov) dodatne nadmorske višine in 1 % na vsakih 10 °F (5,6 °C) nad 77 °F (25 °C). Motor bo deloval zadovoljivo pod kotom do 15°. Za varno dovoljeno delovno območje na nagibih si oglejte priložnik za uporabo naprave.

Servisni deli - Model: 210000	
Nadomestni del	Številka dela
Zračni filter, papirnati (glejte sliko 13)	796032
Predfilter zračnega filtra, penasti (glejte sliko 13)	798911
Zračni filter, papirnati (glejte sliko 12)	698413, 5079
Predfilter zračnega filtra, penasti (glejte sliko 12)	697292, 5079
Olje – SAE 30 (0,6 l)	100005
Olje – SAE 30 (1,4 l)	100028
Oljni filter	492932

Servisni deli - Model: 210000	
Sredstvo za obdelavo goriva s stabilizatorjem goriva z izpopolnjeno formulo	100117, 100120
Filter za gorivo – motor brez črpalke za gorivo	394358, 5098
Filter za gorivo – motor s črpalko za gorivo	691035, 5065
Uporovna vžigalna svečka	491055
Platinasta vžigalna svečka z dolgo življenjsko dobo	5066
Ključ za pritrditev vžigalne svečke	89838, 5023
Naprava za preizkušanje iskre	19368

Servisni deli - Model: 310000	
Nadomestni del	Številka dela
Zračni filter, papirnati (glejte sliko 13)	796031
Predfilter zračnega filtra, penasti (glejte sliko 13)	797704
Zračni filter, papirnati (glejte sliko 12)	698083, 5077
Predfilter zračnega filtra, penasti (glejte sliko 12)	697015, 5077
Zračni filter, ploščat in pralen	697153, 5078
Olje – SAE 30 (0,6 l)	100005
Olje – SAE 30 (1,4 l)	100028
Oljni filter, standardni – črn	492932
Oljni filter, visoko učinkovit – rumen	795890
Oljni filter, visoko učinkovit – oranžen	798576
Sredstvo za obdelavo goriva s stabilizatorjem goriva z izpopolnjeno formulo	100117, 100120
Filter za gorivo – motor brez črpalke za gorivo	394358, 5098
Filter za gorivo – motor s črpalko za gorivo	691035, 5065
Uporovna vžigalna svečka	491055
Platinasta vžigalna svečka z dolgo življenjsko dobo	5066
Ključ za pritrditev vžigalne svečke	89838, 5023
Naprava za preizkušanje iskre	19368

Priporočamo, da se obrnete na katerega koli pooblaščenega trgovca Briggs & Stratton za vsa vzdrževalna dela in servisiranje motorja in njegovih delov.

Moč motorja: Skupna moč motorja posameznih modelov bencinskih motorjev je označena v skladu s SAE (Zveza inženirjev v avtomobilski industriji) koda J1940 Majhna moč motorja in postopek ocene navora, in je ocenjena v skladu s SAE J1995. Vrednost navora je merjena pri 2600 vrt./min. pri motorjih, ki imajo na nalepki napisano »rpm«, in 3060 vrt./min. pri vseh ostalih; vrednosti moči pa so merjene pri 3600 vrt./min.. Krivuljo največje moči si lahko ogledate na www.BRIGGSandSTRATTON.COM Neto moč motorja je izmerjena ob nameščenih izpušni cevi in zračnem filtru, bruto moč pa je izmerjena brez teh dodatkov. Dejanska skupna moč motorja bo nižja in je odvisna med drugim od okoljskih delovnih pogojev in razlik med posameznimi motorji. Ob upoštevanju velikega izbora proizvodov, ki jih poganjajo naši motorji, bencinski motor na določeni napravi morda ne bo razvil nazivne bruto moči. Razlika je posledica vrste vplivov, ki vključujejo, vendar niso omejeni samo na sledeče: dodatna oprema (zračni filter, izpuh, polnjenje, hlajenje, uplinjač, črpalka za gorivo itd.), omejitve uporabe, razmere delovnega okolja (temperatura, zračna vlaga, nadmorska višina) in razlika med posameznimi motorji. Zaradi omejitev proizvodnje in zmogljivosti lahko podjetje Briggs & Stratton zamenja močnejši motor za ta motor.

Garancija

Garancija za motorje Briggs & Stratton

V veljavi od januarja 2017

Omejena garancija

Podjetje Briggs & Stratton jamči, da bo v spodaj navedenem garancijskem obdobju brez dodatnih stroškov popravilo ali zamenjalo kateri koli del, na katerem se je pojavila okvara zaradi materiala ali izdelave ali obojega. Stroške prevoza izdelka, ki je poslan v popravilo ali v zamenjavo pod to garancijo, mora nositi kupec. Ta garancija velja za obdobja in skladno s pogoji, navedenimi spodaj. Za servis v okviru garancije poiščite najbližji pooblaščen servisni center na našem zemljevidu za iskanje servisnih centrov na spletni strani BRIGGSandSTRATTON.COM. Kupec mora stopiti v stik s pooblaščenim servisnim centrom in izdelek le-temu posredovati v pregled in testiranje.

Dругih izrecnih garancij ni. Nakazane garancije, vključno z garancijami primernosti za trženje in ustreznosti za določen namen, so omejene na spodaj navedeno

garancijsko obdobje oziroma na obseg, ki ga dopušča zakon. Odgovornost za naključno ali posledično škodo je izključena v obsegu, ki ga dopušča zakon. Nekatere države ne dopuščajo omejitve trajanja nakazane garancije, nekatere pa ne dopuščajo izključevanja ali omejitve naključne ali posledične škode, tako da zgoraj navedena omejitev in izključitev morda za vas ne velja. Ta garancija vam zagotavlja določene zakonske pravice, lahko pa imate še druge pravice, ki se razlikujejo od države do države ⁴.

Garancijski servis je na voljo le pri pooblaščenih servisnih centrih podjetja Briggs & Stratton. Poiščite najbližji pooblaščen servisni center na zemljevidu naših servisnih centrov na BRIGGSandSTRATTON.COM oziroma pokličite 1-800-233-3723 (v ZDA).

80004537 (Rev. C)

Standardni garancijski pogoji 1, 2, 3

Ime znamke/izdelka	Potrošniška uporaba	Komercialna uporaba
Vanguard™; komercialna serija	36 mesecev	36 mesecev
Motorji z litoželezno pušo Dura-Bore™	24 mesecev	12 mesecev
Vsi drugi motorji	24 mesecev	3 mesece

¹To so naši standardni garancijski pogoji, občasno pa je lahko priloženo dodatno garancijsko kritje, ki ni določeno v času objave. Za seznam trenutnih garancijskih pogojev za vaš motor pojdite na BRIGGSandSTRATTON.com ali pa se obrnite na pooblaščen servisni center Briggs & Stratton.

²Garancija ne velja za motorje v opremi, uporabljeni kot glavni vir energije in ne nadomestni vir, ali za generatorje v pripravljenosti (pomožni vir energije), uporabljene v komercialne namene. Motorji, ki se uporabljajo na tekmovanjih ali na komercialnih ali najemnih dirkališčih, niso pod garancijo.

³Motor Vanguard, nameščen na generatorje v pripravljenosti (pomožne vire energije): 24-mesečna za potrošniško uporabo, brez garancije za komercialno uporabo. Motor Vanguard, nameščen v večnamenska vozila: 24-mesečna za potrošniško uporabo, 24-mesečna za komercialno uporabo. Komercialna serija z datumom proizvodnje pred julijem 2017, 24 -mesečna za potrošniško uporabo, 24-mesečna za komercialno uporabo.

⁴V Avstraliji – naše blago ima garancije, ki jih ni možno izključiti po avstralski zakonodaji o varstvu potrošnikov. Upravičeni ste do menjave ali vračila denarja za veliko okvaro ali do odškodnine za kakršno koli drugo izgubo ali škodo, ki jo je mogoče razumno predvideti. Prav tako ste upravičeni do popravila ali menjave blaga, če leto ni sprejemljive kakovosti, okvara pa ne predstavlja velike okvare. Za popravilo v garancijskem roku poiščite najbližji pooblaščen servisni center na zemljevidu naših servisnih centrov na BRIGGSandSTRATTON.COM oziroma pokličite 1300 274 447 ali pošljite e-pošto na salesenquiries@briggsandstratton.com.au oziroma pišite na Briggs & Stratton Australia Pty Ltd, 1 Moorebank Avenue, Moorebank, NSW, Australia, 2170.

Garancijsko obdobje se začne, ko napravo kupi prvi maloprodajni ali komercialni potrošnik. »Potrošniška uporaba« je osebna domača uporaba s strani maloprodajnega potrošnika. »Komercialna uporaba« pomeni vse druge uporabe, vključno z uporabo v komercialne, pridobitne ali posojilne namene. Če je motor enkrat uporabljen v komercialne namene, po tej garanciji spada v kategorijo motorjev za komercialno uporabo.

Shranite račun kot dokaz o nakupu. Če tedaj, ko potrebujete garancijsko storitev, ne predložite dokazila o datumu prvotnega nakupa, se bo za določanje garancijske dobe uporabil datum proizvodnje izdelka. Za garancijsko storitev na izdelkih Briggs & Stratton registracija izdelka ni potrebna.

O vaši garanciji

Ta omejena garancija krije samo napake v materialu in/ali okvare zaradi izdelave na motorju, ne pa zamenjave ali povračila za opremo, na katero je motor lahko nameščen. Rednega vzdrževanja, finih nastavitvev, prilagoditev ali običajne obrabe ta garancija ne krije. Garancija ne velja tudi v primeru, če je bil motor predelan oziroma spremenjen ali če je bila serijska številka motorja uničena ali odstranjena. Ta garancija ne krije poškodb motorja ali težav pri delovanju, ki jih povzročijo/je:

1. uporaba delov, ki niso originalni deli Briggs & Stratton;
2. delovanje motorja z nezadostno količino mazivnega olja ali z oljem, ki je onesnaženo oziroma ima neustrezno viskoznost;
3. uporaba onesnaženega ali starega goriva, bencina z več kot 10 odstotki etanola ali alternativnih goriv, kot sta petrolej ali zemeljski plin, v motorjih, ki jih podjetje Briggs & Stratton prvotno ni zasnovalo/izdelalo za delovanje s tovrstnimi gorivi;
4. umazanija, ki je prišla v motor zaradi napačnega vzdrževanja zračnega filtra ali ponovnega sestavljanja;
5. udarec ob predmet z rezilom rotacijske vrtnice, zrahljanih ali nepravilno nameščenih adapterjev rezila, rotorjev ali drugih povezanih naprav gredi bloka motorja ali zaradi čezmerne zategnenosti klinastega jermena;
6. deli ali sklopi, kot so sklopke, prenosi, upravljalni vzvodi itd., ki jih ne dobavlja podjetje Briggs & Stratton;
7. pregrevanje zaradi trave, umazanije in ostankov ali gnezdv glodavcev, ki zamašijo hladilna rebra ali predel vztrajnika, ali delovanje motorja brez ustreznega prezračevanja;
8. čezmerni tresljaji zaradi prevelike hitrosti, zrahljane pritrditve motorja, zrahljanih ali neuravnovešenih rezil ali rotorjev ali neprimerne spajanje komponent opreme na gred bloka motorja;
9. napačna uporaba, pomanjkljivo redno vzdrževanje, neustrezen transport, ravnanje z motorjem, njegovo skladiščenje ali neustrezna montaža.

Bu el kitabı motorların yaratabileceği riskler ve tehlikeler ile bu tehlikelerden kaçınmak için yapmanız gerekenler hakkında sizi bilinçlendirmek amacıyla güvenlik bilgileri içermektedir. El kitabı aynı zamanda motorun doğru kullanımı ve motor bakımı hakkında bilgi de içermektedir. Briggs & Stratton Şirketi bu motorun hangi cihazda kullanılacağını bilmediğinden, hem bu talimatları hem de cihazın talimatlarını okumanız önemlidir. **Bu orijinal talimatları ilerde başvurmak üzere saklayın.**

Not: Bu kılavuzdaki şekiller ve resimler referans olarak verilmiştir ve elinizdeki belli modelden farklı olabilir. Her tür sorunuz için bayinize başvurun.

Yedek parçalar veya teknik destek almak için, motorun modeli, tipi, kod numaraları ve satın alma tarihini not alın. Bu numaralar motorunuzun üzerinde yer alır (**Özellikler ve Kumandalar** kısmına bakın).

Satın Alma Tarihi	
Motor Modeli - Tipi - Donanımı	
Motor Seri Numarası	

Bazı motorlarda bulunan 2D barkoda bakın. 2D destekli bir cihazla bakılırken kod bu ürünle ilgili destek bilgisi alabileceğiniz web sitemize yönlendirecektir. Veri ücretleri geçerli olabilir. Bazı ülkelerde mevcut destek bilgisi olmayabilir.



Geri Dönüşüme İlişkin Bilgi

		Tüm ambalaj malzemeleri, kullanılmış yağ ve aküler yürürlükteki resmi yönetmeliklere göre geri dönüşüme ayrılmalıdır.
--	--	---

Operatör Güvenliği

Güvenlik İkaz Sembolü ve Sinyal Sözcükleri

Kişisel yaralanmalara yol açabilecek tehlikeler konusunda güvenlik bilgilerini tanımamak

için ikaz sembolü kullanılır. İkaz sembolüyle birlikte yer alan sözcük (TEHLİKE, UYARI veya DİKKAT), yaralanmanın ihtimalini ve olası ciddiyetini belirtmek için kullanılır. Ek olarak, tehlikenin türünü belirtmek için tehlike sembolü de kullanılabilir.

TEHLİKE eğer önlenmezse, **ölüm veya ciddi yaralanmayla sonuçlanacak tehlikeyi gösterir.**

UYARI eğer önlenmezse, **ölüm veya ciddi yaralanmayla sonuçlanabilecek tehlikeyi gösterir.**

DİKKAT eğer önlenmezse, **hafif veya orta derecede yaralanmayla sonuçlanabilecek tehlikeyi gösterir.**

İKAZ ürüne **hasar verebilecek bir durumu gösterir.**

Tehlike Sembolleri ve Anlamları

Sembol	Anlamı	Sembol	Anlamı
	Kişisel yaralanmalara yol açabilecek tehlikelerle ilgili güvenlik bilgisi.		Üniteyi çalıştırmadan veya bakım yapmadan önce Kullanım Kılavuzunu okuyun ve uyun.

Sembol	Anlamı	Sembol	Anlamı
	Yangın tehlikesi		Patlama tehlikesi
	Darbe tehlikesi		Zehirli duman tehlikesi
	Sıcak yüzey tehlikesi		Gürültü tehlikesi - Uzun süreli kullanım için kulak koruması önerilir.
	Sıçrayan cisim tehlikesi - Göz koruması.		Patlama tehlikesi
	Soğuk ısırması tehlikesi		Geri tepme tehlikesi
	Kopartma tehlikesi - hareketli parçalar		Kimyasal Madde Tehlikesi
	Termal ısı tehlikesi		Korozif

Güvenlik Mesajları



UYARI

Bu üründeki parçalardan bazıları ve ilgili aksesuarlar Kaliforniya Eyaletince kanser, doğum kusurları veya diğer üreme organı sorunlarına yol açtığı bilinen kimyasal maddeler içerir. Kullandıktan sonra ellerinizi yıkayın.



UYARI

Bu ürünün motor egzoz gazları, Kaliforniya Eyaletince kanser, doğum kusurları veya diğer üreme organı sorunlarına yol açtığı bilinen kimyasallar içermektedir.



UYARI

Briggs & Stratton Motorları fun-kart, go-kart gibi araçları; çocuklar için eğlence veya spor amaçlı arazi araçları (ATV'ler); motosikletler; hava yastıklı tekneler; hava taşıtı ürünleri veya Briggs & Stratton tarafından onaylanmamış yarışma etkinliklerinde kullanılan araçları çalıştırmak için tasarlanmamıştır ve bunlarda kullanılmamalıdır. Yarışma amaçlı ürünlerle ilgili bilgi için bkz. www.briggsracing.com. Ticari araçlar ve çok koltuklu arazi araçları için lütfen Briggs & Stratton Motor Uygulama Merkezine başvurunuz: 1-866-927-3349. Yanlış motor uygulamaları yaralanma ve ölümlere neden olabilir.



UYARI

Yakıt ve buharları son derece yanıcı ve patlayıcı niteliktedir.

Yangın ya da patlama ağır yaralara veya ölüme neden olabilir.

Yakıt Eklerken

- Motoru kapatın ve yakıt kapağını çıkarmadan önce en az 2 dakika soğumasını bekleyin.
- Yakıt tankını dışarıda veya iyi havalandırılan bir yerde doldurun.
- Yakıt tankını aşırı doldurmayın. Yakıtın genişlemesine olanak sağlamak amacıyla, yakıt tankı boynunun alt kısmına kadar doldurun.
- Yakıtı kıvılcımlardan, açık ateşten, tutuşturma alevinden, ısı ve diğer tutuşturma kaynaklarından uzak tutun.

- Yakıt hatlarını, tankı, kapağı ve donanımları çatlak veya sızıntıya karşı sık sık kontrol edin. Gerekirse değiştirin.
- Yakıt damlarsa, motoru çalıştırmadan önce buharlaşmasını bekleyin.

Motoru Başlatırken

- Bujinin, susturucunun, yakıt kapağının ve hava temizleyicinin (varsa) yerinde ve emniyetli olduğundan emin olun.
- Buji çıkarılmışken motoru krank ile çevirmeyin.
- Motor çalışırken jikleyi (varsa) AÇIK / ETKİN konuma ayarlayın gaz keleşini (varsa) HIZLI konumuna doğru hareket ettirin ve makine çalışana kadar krank ile çevirin.

Ekipmanı Çalıştırırken

- Motoru veya ekipmanı yakıtın dökülmesine neden olacak kadar eğmeyin.
- Motoru durdurmak için karbüratörü boğmayın.
- Motoru hava temizleme donanımı (eğer mevcutsa) veya hava filtresi (eğer mevcutsa) olmadan asla çalıştırmayın veya kullanmayın.

Motor Yağını Değiştirirken

- Yağı en üst yağ hazne borusundan boşaltırsanız, yakıt deposu boş olmalıdır, aksi takdirde yakıt sızabilir ve yangın veya patlamaya yol açabilir.

Ünitenin Bakım için Yatırırken

- Ünitenin yatırılmasını gerektiren bir bakım işlemi yapılırken, yakıt deposu takılıysa boş olmalıdır, aksi takdirde yakıt sızabilir ve yangın veya patlamaya yol açabilir.

Ekipmanı Taşıırken

- Yakıt deposu BOŞ olarak veya yakıt kesme valfi KAPALI konumdayken taşıyın.

Yakıtı veya Depoda Yakıt ile Ekipmanı Saklarken

- Fırınlardan, ocaklardan, su ısıtıcılarından veya pilot alevi olan diğer cihazların veya yakıt buharlarının ateşlenmesine sebep olabilecek diğer ateşleme kaynaklarından uzakta saklayın.



Motorun çalıştırılması kıvılcıma yol açar.

Kıvılcım yakındaki yanıcı gazları ateşleyebilir.

Patlama olabilir veya yangın çıkabilir.

- Eğer çevrede doğal gaz veya LP sızıntısı varsa motoru çalıştırmayın.
- Buharları yanıcı olduğundan basınçlı ilk çalıştırma sıvıları kullanmayın.



ZEHİRLİ GAZ TEHLİKESİ. Motor egzozu sizi dakikalar içerisinde öldürebilecek zehirli bir gaz olan karbonmonoksit içerir. Bu gazı **GÖREMEZ, KOKLAYAMAZ YA DA TADINI ALAMAZSINIZ.** Egzoz gazını koklamış olsanız bile karbonmonoksit gazına maruz kalmış olabilirsiniz. Bu ürünü kullanırken rahatsızlık, baş dönmesi veya halsizlik hissederseniz **HEMEN temiz hava alın. Doktora görünün. Karbonmonoksit zehirlenmesi yaşıyor olabilirsiniz.**

- Karbonmonoksit gazının dolu alanlarda birikmesini ya da buraya çökme riskini azaltmak için bu ürünü SADECE pencere, kapı ve menfezlerden uzakta dış mekanda çalıştırın.
- Pille çalıştırılan karbonmonoksit alarmları ya da yedek pilli plug-in tip karbonmonoksit alarmlarını üretici talimatlarına göre kurun. Duman alarmları karbonmonoksit gazını tespit edemez.
- Bu ürünü fan kullanılsa ve havalandırma için kapı ve pencereler açık olsa bile ev, garaj, bodrum, döşeme altı boşluğu, kulübe ve diğer kısmi olarak kapalı alanlarda **ÇALIŞTIRMAYIN.** Karbonmonoksit hızla bu alanlara dolabilir ve ürün kapalı olsa bile saatlerce kalabilir.
- Bu ürünü HER ZAMAN rüzgar yönüne doğru yerleştirin ve motor egzozunu kapalı alanlardan uzağa konumlandırın.



Marş ipinin hızla geri çekilmesi (geri tepme) elinizi ve kolunuzu motora doğru uyum sağlayamayacağınız bir süratte çekecektir.

Kemiğiniz kırılabilir, çatlayabilir, yaralanma veya burkulmalar meydana gelebilir.

- Motoru çalıştırırken direnci hissedene kadar ipi yavaşça çekin ve ardından geri tepmeden korunmak için ipi hızla çekin.
- Motoru çalıştırmadan önce harici tüm motor yüklerini/donanımı kaldırın.
- Bıçaklar, rotörler, makaralar, zincir dişlileri içeren, ancak bu sayılanlarla sınırlı olmayan doğru bağlanmış donanım emniyetli bir biçimde bağlanmış olmalıdır.



Döner parçalar el, ayak, saç, giysi veya aksesuarlara temas edebilir veya bunlara dolanabilir.

Uzuv kesilmesine veya ciddi kesiklere sebep olabilir.

- Cihazı kullanırken muhafazaların yerinde olduğundan emin olun.
- Ellerinizi ve ayaklarınızı döner parçalardan uzak tutun.
- Uzun saçları bağlayın ve mücevherati çıkarın.
- Bol giysi, sarkan kumaşlar veya motora dolanabilecek diğer kıyafetleri giymeyin.



Çalışır durumdaki motorlar ısı üretir. Özellikle susturucu olmak üzere motor parçaları aşırı sıcak olur.

Temas durumunda şiddetli termal yanıklar oluşabilir.

Yaprak, çimen, çalı gibi yanıcı birikintiler alevlenebilir.

- Dokunmadan önce susturucu, motor silindiri ve fitillerin soğumasını bekleyin.
- Birikintileri susturucu ve silindir alanından kaldırın.
- Kanunun Bölüm 4442'sinde tanımlanan etkin çalışma yasasına göre kıvılcım durdurucuda egzoz sistemi bulunması durumu haricinde motorun ormanlık, çalılık veya çim kaplı alanlarda kullanımı Kaliforniya Eyaleti Kamu Kaynakları Yasası, Bölüm 4442'nin ihlal edilmesine sebep olur. Diğer eyaletler ve federal bölgeler benzeri yasalara sahip olabilir. Bu motorun egzoz sistemi için tasarlanmış bir kıvılcım tutucu almak için orijinal cihaz üreticisine, perakendeciye veya bayiye başvurun.



Kazayla kıvılcım oluşması yangın veya elektrik çarpmasına yol açabilir.

Motorun kazara çalıştırılması boğulma, uzuv kaybı veya uzuvların kesilmesine yol açabilir.

Yangın tehlikesi

Ayar veya onarım yapmadan önce:

- Buji kablosunu çıkarın ve bujiden uzakta tutun.
- Aküyü negatif kutuptan çıkarın (sadece elektrik başlatmalı motorlarda.)
- Sadece doğru aletleri kullanın.
- Motor hızını arttırmak için regülatör yayına, bağlantılara veya diğer parçalara dokunmayın.
- Yedek parçalar orijinal parçalarla aynı tasarımda olmalı ve aynı konumlara yerleştirilmelidir. Farklı parçalar orijinal parçalarla aynı işlevi görmeyebilir ve yaralanmalara sebep olabilir.
- Volana çekiçe veya sert bir cisimle vurmayın, aksi takdirde motor çalışırken volan parçalanabilir.

Kıvılcım testi yaparken:

- Onaylanmış bir buji test cihazı kullanın.
- Buji çıkarılmış halde kıvılcım kontrolü yapmayın.

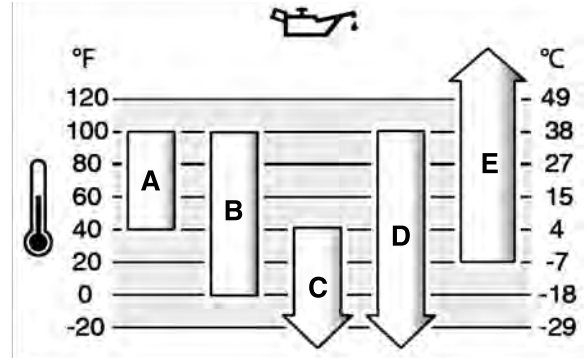
Özellikler ve Kumandalar

Motor Kumandaları

Resmi (Şekil: 1, 2, 3) motorunuzla karşılaştırarak çeşitli özellik ve kumandaların yerlerini alın.

- Motor Künye Numaraları **Model - Tipi - Kodu**
- Buji
- Hava Temizleyici

- D. Marş İpinin Kulpu (varsa)
- E. Yağ çubuğu
- F. Yağ Boşaltma Tapası
- G. Susturucu, Egzoz Muhafazası (varsa), Kivılcım Tutucu (varsa)
- H. Hava Giriş Izgarası
- I. Hava Giriş Izgarası
- J. Yağ Filtresi (varsa)
- K. Elektrikli Marş (varsa)
- L. Karbüratör
- M. Yakıt Filtresi (varsa)
- N. Yakıt Pompası (varsa)
- O. Hızlı Yağ Boşaltma (varsa)
- P. Elektronik Kontrol Ünitesi (varsa)



A	SAE 30 - 40 °F (4 °C) sıcaklığın altında SAE 30 kullanılırsa zor çalışacaktır.
B	10W-30 - 80 °F (27 °C) sıcaklığın üzerinde 10W-30 kullanılması normalden fazla yağ tüketilmesine neden olabilir. Yağ seviyesini daha sık kontrol edin.
C	5W-30
D	Sentetik 5W-30
E	Vanguard™ Sentetik 15W-50

Motor Kontrol Sembolleri ve Anlamları

Sembol	Anlamı	Sembol	Anlamı
	Motor devri - HIZLI		Motor devri - YAVAŞ
	Motor devri - DUR		AÇIK - KAPALI
	Motor çalıştırma - Jikle KAPALI		Motor çalıştırma - Jikle AÇIK
	Yakıt Kapağı Yakıt Kesme - AÇIK		Yakıt Kesme - KAPALI
	Yakıt seviyesi - Maksimum Aşırı doldurmayın		

Kullanım

Yağ Tavsiyeleri

Yağ Kapasitesi: Bkz. **Teknik Özellikler** bölümü.

DİKKAT

Bu motor Briggs & Stratton tarafından yağsız olarak gönderilmektedir. Ekipman üreticileri veya bayiler motora yağ koymuş olabilir. Motoru ilk kez çalıştırmadan önce bu kullanım kılavuzundaki talimatlara uygun şekilde yağ seviyesini kontrol etmeye ve yağ koymaya dikkat edin. Eğer motoru yağsız olarak çalıştırırsanız tamiri mümkün olmayan bir şekilde zarar görür ve garanti kapsamı dışında kalır.

En iyi performans için Briggs & Stratton Garanti Onaylı yağları kullanmanızı öneriyoruz. Diğer yüksek kaliteli deterjan yağları servis için SF, SG, SH, SJ veya daha yüksek derecede sınıflandırılmışsa kabul edilebilir. Özel katkı maddeleri kullanmayın.

Motor için uygun yağ viskozitesini dış sıcaklık belirler. Beklenen dış sıcaklık aralığına en uygun viskoziteyi seçmek için tabloyu kullanın. Dış mekan motorlu ekipmanlarının çoğunluğundaki motorlar 5W-30 Sentetik yağ ile gayet iyi çalışır. Yüksek sıcaklıklarda çalıştırılan ekipman için Vanguard™ 15W-50 Sentetik yağ en iyi korumayı sağlar.

Yağ Seviyesi Kontrolü

Bakınız şekil: 4

Yağı kontrol etmeden veya yağ koymadan önce

- Motorun düz olduğundan emin olun.
- Yağ doldurma alanını tamamen temizleyin.

1. Yağ çubuğunu (A, Şekil 4) çıkartın ve temiz bir bezle silin.
2. Kontrol çubuğunu yerine takın ve sıkıştırın (A, Şekil 4).
3. Yağ çubuğunu çıkartın ve yağ seviyesini kontrol edin. Doğru seviye kontrol çubuğu üzerindeki tam dolu işaretinin üzeridir (B, Şekil 4).
4. Yağ seviyesi düşükse, motor yağ kapağından yavaşça yağ ekleyin (C, Şekil 4). **Aşırı doldurmayın.** Yağ ekledikten sonra 1 dakika bekleyin ve yağ seviyesini tekrar ölçün.

Not: Varsa, hızlı yağ boşaltma çıkışıından yağ eklemeyin. Yeri için, **Özellikler ve Kumandalar kısmına bakın.**

5. Kontrol çubuğunu yerine takın ve sıkıştırın (A, Şekil 4).

Düşük Yağ Seviyesi Koruma Sistemi (varsa)

Bazı motorlarda düşük yağ sensörü bulunur. Yağ seviyesi düştüğünde sensör bir ikaz lambasını yakar veya motoru durdurur. Motoru durdurun ve yeniden çalıştırmadan önce bu adımları takip edin.

- Motorun düz olduğundan emin olun.
- Yağ seviyesini kontrol edin. **Motor Yağı Seviye Kontrolü** kısmına bakın.
- Yağ seviyesi düşükse uygun miktarda yağ ekleyin. Motoru çalıştırın ve (varsa) ikaz lambasının yanmadığından emin olun.
- Yağ seviyesi düşük değilse motoru çalıştırmayın. Yağ sorununun giderilmesi için Briggs & Stratton Yetkili Servis Bayisine başvurun.

Yakıtla İlgili Tavsiyeler

Yakıt bu şartlara uygun olmalıdır:

- Temiz, taze, kurşunsuz benzin.
- Minimum 87 oktan/87 AKI (91 RON) Yüksek irtifada kullanım için aşağıya bakınız.
- En fazla %10 etanol (gazohol) katkılı benzine izin verilir.

DİKKAT E15 ve E85 gibi onaylanmamış benzinleri kullanmayın. Yağı benzin ile karıştırmayın veya motoru farklı yakıtlarla çalışacak şekilde modifiye etmeyin. Onaylanmamış yakıtların kullanımı motor parçalarında garanti kapsamında giderilemeyecek hasarlara neden olur.

Yakıt sistemini çapak oluşumundan korumak için yakıtta bir yakıt dengeleyici ilave edin. **Saklama** kısmına bakın. Bütün yakıtlar aynı değildir. Başlatma veya performans sorunları yaşanırsa, yakıt tedarikçisini veya markayı değiştirin. Bu motor benzinle çalışmak üzere onaylanmıştır. Bu motor için emisyon kontrol sistemi EM'dir (Motor Modifikasyonları).

Yüksek İrtifa

1524 metrenin üzerindeki yüksekliklerde minimum 85 oktanlı/85 AKI (89 RON) benzin kullanımı kabul edilebilir.

Karbüratörlü motorlar için performansı korumak açısından yüksek irtifa ayarı yapmak gerekir. Bu ayar yapılmadan motorun kullanılması benzin tüketiminde artışa, performansta düşüklüğe ve emisyonda artışa yol açar Yüksek irtifa ayarı için Briggs & Stratton Yetkili Bayiine başvurun. 762 metrenin altındaki irtifalarda motorun yüksek irtifa ayarıyla kullanılması tavsiye edilmez.

Elektronik Yakıt Enjeksiyonlu (EFI) motorlar için yüksek irtifa ayarına gerek yoktur.

Yakıtın Doldurulması

Bakınız şekil 5



Yakıt ve yakıt buharları son derece yanıcı ve patlayıcıdır.

Yangın veya patlama ciddi yaralanmalara veya ölümlere yol açabilir.

Yakıtın Doldurulması

- wMotoru kapatın ve yakıt kapağını açmadan önce motorun en az 2 dakika soğumasını bekleyin.
 - Yakıt deposunu açık havada veya iyi havalandırılmış alanda doldurun.
 - Yakıt deposunu aşırı doldurmayın Yakıtın genleşmesine imkan vermek için, yakıt deposu boşasının dip seviyesinin üzerinde doldurmayın.
 - Yakıtı kıvılcım, açık alev, pilot alevi, ısı ve diğer tutuşturma kaynaklarından uzak tutun.
 - Yakıt borularında, deposunda, kapağında ve bağlantı birimlerinde çatlak veya sızıntı olup olmadığını kontrol edin Gerekirse değiştirin.
 - Yakıt dökülürse motoru çalıştırmadan önce buharlaşmasını bekleyin.
- Yakıt kapağı bölgesini kir ve atıklardan temizleyin Yağ dolum kapağını çıkarın.
 - Yakıt tankını (A, Şekil 5) yakıtla doldurun. Yakıtın genleşmesine imkan vermek için, yakıt deposu boşasının dip seviyesinin üzerinde doldurmayın (C).
 - Yakıt deposu kapağını yerine takın.

Motoru Çalıştırma ve Durdurma

Bakınız şekil: 6

Motorun Çalıştırılması



Marş ipinin hızla geri çekilmesi (geri tepme) elinizi ve kolunuzu motora doğru uyum sağlayamayacağınız bir süratte çekecektir.

Kemiğiniz kınlabılır, çatlayabilir, yaralanma veya burkulmalar meydana gelebilir.

- Motoru çalıştırırken direnci hissedene kadar ipi yavaşça çekin ve ardından geri tepmeden korunmak için ipi hızla çekin.



Yakıt ve yakıt buharları son derece yanıcı ve patlayıcıdır.

Yangın veya patlama ciddi yaralanmalara veya ölümlere yol açabilir.

Motoru Çalıştırırken

- Bujinin, egzozun, yakıt depo kapağının ve hava filtresinin (varsa) yerinde ve sağlam durumda olduklarından emin olun.
- Motoru buji çıkarılmış halde çalıştırmayın.
- Motor boşulursa, jikle (varsa) OPEN / RUN (Açık/çalıştırma) konumuna getirin, gaz kelebeğini (varsa) FAST (Hızlı) konuma getirin ve motor çalışana kadar marşa basın.



ZEHİRLİ GAZ TEHLİKESİ. Motor egzoz gazında sizi bir kaç dakika içinde öldürebilecek karbonmonoksit bulunur. Bunu GÖREMEZSİNİZ, KOKUSUNU veya TADINI ALAMAZSINIZ. Egzoz dumanı kokusu almasanız bile karbonmonoksit gazına maruz kalabilirsiniz. Bu ürünü kullanırken rahatsızlık, baş dönmesi veya bitkinlik hissettiğinizde motoru durdurun ve HEMEN açık havaya çıkın. Bir doktora başvurun. Karbonmonoksit zehirlenmesi yaşıyor olabilirsiniz.

- Bu ürünü SADECE pencerelerin, kapıların ve havalandırma girişlerinin uzağında kullanarak karbonmonoksit gazının kapalı iç mekanlara ulaşma ve buralarda birikme riskini azaltın.
- Üretici talimatlarına uygun olarak, pille çalışan karbonmonoksit alarmları veya pil destekli elektrikli karbonmonoksit alarmları kurun. Duman alarmları karbonmonoksit gazlarını algılayamazlar.
- Bu ürünü, açık kapı ve pencereler veya fanlar kullanılarak havalandırma yapılıyor olsa bile, evlerin, garajların, bodrumların, kalabalık mekanların, kulübelerin ya da diğer kısmen kapalı mekanların içinde ÇALIŞTIRMAYIN. Karbonmonoksit gazı bu alanlarda kısa sürede birikebilir ve ürün durdurulduktan sonra dahi saatlerce varlığını sürdürebilir.
- Bu ürünü HER ZAMAN rüzgar akış yönünde kullanın ve egzozu insanların olduğu mekanlardan uzağa doğrultun.

DİKKAT Bu motor Briggs & Stratton tarafından yağ konulmadan sevk edilmektedir. Motoru çalıştırmadan önce, bu kılavuzda yer alan talimatlara uygun yağ koyduğunuzdan emin olun. Motor, yağ koymadan çalıştırdığınız takdirde, onarılamayacak derecede arızalanacak ve garantiniz geçersiz olacaktır.

Çalıştırma Sistemini Belirleme

Motoru çalıştırmadan önce, motorunuzdaki çalıştırma sisteminin tipini öğrenmek zorundasınız. Motorunuzda aşağıdaki motor çalıştırma sistemlerinden biri vardır.

- ReadyStart® Sistemi:** Bu sistemde sıcaklık kontrollü otomatik jikle bulunur. Bu modelde manuel yakıt beslemesi yoktur.
- Elektronik Yakıt Yönetim Sistemi:** Motor ve sıcaklık koşullarının kontrolünü sağlayan Elektronik Kontrol Ünitesidir. Bu tipte jikle veya besleme tertibatı yoktur.
- Jikle Sistemi:** Bu tipte soğuk havalarda çalıştırmak için jikle tertibatı bulunur. Bazı modellerde ayrı bir jikle kumandası varken bazıları jikle/gaz kombine kumandası vardır. Bu modelde manuel yakıt beslemesi yoktur.

Motoru çalıştırmak için sizdeki çalıştırma sistemi için verilmiş olan talimatları izleyin.

Not: Cihazın uzaktan kumandası olabilir. Uzaktan kumandanın yeri ve kullanımı ile ilgili bilgi için cihaz kılavuzuna bakın.

ReadyStart® Sistemi

- Motor yağını kontrol edin. **Motor Yağı Seviye Kontrolü** bölümüne bakınız.
- Cihaz tahrik kumandalarının, eğer varsa, kullanılmadığından emin olun.
- Yakıt durdurma kumandasını (A, Şekil 6), eğer varsa, OPEN (açık) konumuna getirin.
- Gaz kelebeği kumandasını (B, Şekil 6), eğer varsa, FAST (hızlı) konumuna getirin. Motoru FAST (Hızlı) konumda çalıştırın.

Not: Soğuk (32° F'den düşük) iklim şartlarında çalıştırmak için, jikle/gaz kelebeği kumandasını (B C, Şekil 6) CHOKE (jikle) konumuna getirin.

- Kontak Anahtar, varsa:** Kontak anahtarını (D, Şekil 6) ON / START (açık / çalıştırma) konumuna getirin.

Start / Stop Butonu, varsa: Start / stop butonuna basın (F, Şekil 6).

DİKKAT Marş motorunun ömrünü uzatmak adına kısa marş denemeleri (en fazla beş saniye) yapın. Marş denemeleri arasında bir dakika bekleyin.

Not: Tekrar tekrar denedikten sonra da motor çalışmazsa, yerel bayinize başvurun veya **BRIGGSandSTRATTON.com** adresini ziyaret edin veya **1-800-233-3723** numaralı telefonu arayın (ABD'de).

Elektronik Yakıt Yönetim Sistemi

- Motor yağını kontrol edin. **Motor Yağı Seviye Kontrolü** bölümüne bakınız.
- Cihaz tahrik kumandalarının, eğer varsa, kullanılmadığından emin olun.
- Yakıt durdurma kumandasını (A, Şekil 6), eğer varsa, OPEN (açık) konumuna getirin.
- Gaz kelebeği kumandasını (B, Şekil 6), eğer varsa, FAST (hızlı) konumuna getirin. Motoru FAST (Hızlı) konumda çalıştırın.
- Makaralı Marş, varsa:** Kontak anahtarını (D, Şekil 6) ON / START (açık / çalıştırma) konumuna getirin.
- Makaralı Marş, varsa:** Marş ipinin kulpunu (E, Şekil 6) sıkıca tutun. Marş ipinin kulpunu direnci hissedene kadar yavaşça çekin, sonra hızla çekin.



UYARI

Marş ipinin hızla geri dönmesi (geri tepme) elinizi ve kolunuzu sizin reaksiyon verme hızınızdan daha hızlı olarak motora doğru çekebilir. Kemiğiniz kırılabilir, çatlatabilir, yaralanma veya burkulmalar meydana gelebilir. Motoru çalıştırırken direnci hissedene kadar ipi yavaşça çekin ve ardından geri tepmeden korunmak için ipi hızla çekin.

7. **Elektrikli Marş, varsa:** Kontak anahtarını (D, Şekil 6) ON / START (açık / çalıştırma) konumuna getirin.

DİKKAT Marş motorunun ömrünü uzatmak adına kısa marş denemeleri (en fazla beş saniye) yapın. Marş denemeleri arasında bir dakika bekleyin.

Not: Tekrar tekrar denedikten sonra da motor çalışmazsa, yerel bayinize başvurun veya **BRIGGSandSTRATTON.com** adresini ziyaret edin veya **1-800-233-3723** numaralı telefonu arayın (ABD'de).

Jikle Sistemi

1. Motor yağını kontrol edin. **Motor Yağı Seviye Kontrolü** bölümüne bakınız.
2. Cihaz tahrik kumandalarının, eğer varsa, kullanılmadığından emin olun.
3. Yakıt durdurma kumandasını (A, Şekil 6), eğer varsa, OPEN (açık) konumuna getirin.
4. Gaz kelebeği kumandasını (B, Şekil 6), eğer varsa, FAST (hızlı) konumuna getirin. Motoru FAST (Hızlı) konumunda çalıştırın.
5. Jikle kumandasını (C, Şekil 6) CLOSED (kapalı) konumuna getirin. Jikle / gaz kelebeği kumandası olan modellerde (B C), kumandayı CHOKE (jikle) konumuna getirin.

Not: Sıcak bir motoru yeniden çalıştırırken genellikle jikle gerekmez.

6. **Makaralı Marş, varsa:** Kontak anahtarını (D, Şekil 6) ON / START (açık / çalıştırma) konumuna getirin.
7. **Makaralı Marş, varsa:** Marş ipinin kulpunu (E, Şekil 6) sıkıca tutun. Marş ipinin kulpunu direnci hissedene kadar yavaşça çekin, sonra hızla çekin.



UYARI

Marş ipinin hızla geri dönmesi (geri tepme) elinizi ve kolunuzu sizin reaksiyon verme hızınızdan daha hızlı olarak motora doğru çekebilir. Kemiğiniz kırılabilir, çatlatabilir, yaralanma veya burkulmalar meydana gelebilir. Motoru çalıştırırken direnci hissedene kadar ipi yavaşça çekin ve ardından geri tepmeden korunmak için ipi hızla çekin.

8. **Elektrikli Marş, varsa:** Kontak anahtarını (D, Şekil 6) ON / START (açık / çalıştırma) konumuna getirin.

DİKKAT Marş motorunun ömrünü uzatmak adına kısa marş denemeleri (en fazla beş saniye) yapın. Marş denemeleri arasında bir dakika bekleyin.

9. Motor ısındıkça, jikle kumandasını (C, Şekil 6) OPEN (açık) konumuna getirin. Jikle / gaz kelebeği kumandası olan modellerde (B C), kumandayı FAST (hızlı) konumuna getirin.

Not: Tekrar tekrar denedikten sonra da motor çalışmazsa, yerel bayinize başvurun veya **BRIGGSandSTRATTON.com** adresini ziyaret edin veya **1-800-233-3723** numaralı telefonu arayın (ABD'de).

Motoru Durdurma



UYARI



Yakıt ve yakıt buharları son derece yanıcı ve patlayıcıdır.

Yangın veya patlama ciddi yaralanmalara veya ölümlere yol açabilir.

- Motoru durdurmak için karbüratörü boğmayın.
1. **Kontak Anahtarı, varsa:** Gaz kumandası FAST (hızlı) konumdayken, kontak anahtarını (D, Şekil 6) OFF (kapalı) konumuna getirin. Anahtarı çıkartın ve çocukların ulaşamayacağı güvenli bir yerde saklayın.
Start / Stop Butonu, varsa: Gaz kelebeği kumandası FAST (hızlı) konumdayken, START / STOP butonuna basın (F, Şekil 6).
 2. Motorun durmasının ardından, eğer varsa yakıt kesme valfini (A, Şekil 6) CLOSED (Kapalı) konumuna getirin.

Bakım

DİKKAT DİKKAT: Bakım sırasında motor yana yatırılacaksa, yakıt deposu boş olmalıdır ve bujinin olduğu taraf yukarıda olmalıdır. Eğer yakıt deposu boş değilse ve motor farklı bir yönde yana yatırılmışsa, hava filtresine ve/veya bujiye yağ veya benzin kaçması sonucu motorun çalıştırılması zor olabilir.



UYARI

Ünitenin yatırılmasını gerektiren bir bakım işlemi yapılırken, yakıt deposu boş olmalıdır, aksi takdirde yakıt sızabilir ve yangın veya patlamaya yol açabilir.

Motor ve motor parçalarıyla ilgili tüm bakım ve onarım hizmetleri için Briggs & Stratton Yetkili servislerine başvurmanızı tavsiye ediyoruz.

DİKKAT DİKKAT: Motorun doğru çalışması için bu motorun yapımında kullanılan tüm parçalar yerlerinde olmalıdır.



UYARI



Kazayla kıvılcım oluşması yangın veya elektrik çarpmasına yol açabilir.

Motorun kazara çalıştırılması boğulma, uzuv kaybı veya uzuvların kesilmesine yol açabilir.

Yangın tehlikesi

Ayar veya onarım yapmadan önce:

- Buji kablosunu sökün ve bujiden uzakta tutun.
- Aküyü negatif kutuptan sökün (sadece elektrikli marş olan motorlarda).
- Sadece doğru aletleri kullanın.
- Motor hızını arttırmak için regülatör yayına, bağlantılara veya diğer parçalara DOKUNMAYIN.
- 1Yedek parçalar orijinal parçalarla aynı tasarımda olmalı ve aynı konumlara yerleştirilmelidir. Farklı parçalar orijinal parçalarla aynı işlevi görmeyebilir ve yaralanmalara sebep olabilir.
- Volana çekiçle veya sert bir cisimle vurmayın, aksi takdirde motor çalışırken volan parçalanabilir.

Kıvılcım testi yaparken:

- Onaylanmış bir buji test cihazı kullanın.
- Buji çıkarılmış halde kıvılcım kontrolü yapmayın.

Emisyon Kontrol Servisi

Emisyon kontrol cihazlarının ve sistemlerinin bakımı, değişimi veya onarımı herhangi bir yol dışı motor onarım merkezi veya ustası tarafından yapılabilir. Ancak "ücretsiz" emisyon kontrol servisi almak için çalışma fabrika yetkili bayisi tarafından yapılmalıdır. Emisyon Kontrol Beyanına bakınız.

Bakım Programı

İlk 5 Saat
<ul style="list-style-type: none">• Yağ değişimi ³
Her 8 saatlik çalışmada veya günde bir kez
<ul style="list-style-type: none">• Motor yağı seviyesini kontrol edin• Egzoz ve kumanda çevresindeki alanı temizleyin.• Hava giriş izgarasını temizleyin
Her 25 Saatte veya Senede Bir
<ul style="list-style-type: none">• Hava filtresini temizleyin ¹• Ön temizleyiciyi (varsa) temizleyin ¹
Her 50 Saatte veya Senede Bir
<ul style="list-style-type: none">• Motor yağı değişimi ⁴• Yağ filtresini değiştirin (varsa) ⁴• Egzoz sistemi bakımı
Her 100 Saatte veya Senede Bir
<ul style="list-style-type: none">• Motor yağı değişimi ⁵• Yağ filtresini değiştirin (varsa) ⁵

Senede bir

- Bujiyi değiştirin
- Hava filtresini değiştirin
- Ön temizleyiciyi (varsa) değiştirin
- Yakıt filtresini değiştirin (varsa)
- Yakıt sistemi bakımı
- Soğutma sistemi bakımı ¹
- Supap aralığı kontrolü ²

¹ Tozlu koşullarda veya havada parçacıklar varsa, daha sık temizleyin.

² Motorda performans sorunu görülmeden gerekli değildir.

³ Sadece yağ filtresiz motorlar.

⁴ Yağ filtresiz veya standart siyah yağ filtreli motorlar (bkz. **Özellikler** sayfasındaki parça numarası).

⁵ Yüksek etkili sarı veya turuncu filtreli motorlar (bkz. **Özellikler** sayfasındaki parça numarası).

Elektronik Yakıt Yönetim Sistemi

Elektronik Yakıt Yönetim Sistemi motorun çalıştırılması ve ısıtılması sırasında jikleli ayarlamak için motor sıcaklığını, motor devrini, ve akü voltajını takip eder. Sistem herhangi bir ayar gerektirmemektedir. Çalıştırma veya kullanım esnasında sorunlarla karşılaşılması halinde Briggs & Stratton Yetkili Bayisine başvurun.

DİKKAT Aşağıdaki talimatları izlediğinizden emin olun, aksi takdirde Elektronik Yakıt Yönetim Sistemi hasar görebilir.

- Akü kabloları gevşekken motoru kesinlikle çalıştırmayın.
- Akü bağlantılarını ayırmadan, aküyü sökmeden veya takmadan önce anahtarı kapalı konuma getirin.
- Motoru çalıştırmak için hiçbir zaman akü şarj cihazı kullanmayın.
- Motor çalışır durumda iken akü kablolarını hiçbir zaman ayırmayın.
- Akü kablolarını bağlarken, ilk olarak pozitif (+) kabloyu ve sonrasında negatif (-) kabloyu aküye bağlayın.
- Aküyü şarj ederken kontak anahtarını kapalı konuma getirin ve akünün negatif (-) kablosunu aküden ayırın.
- Elektronik Kontrol Ünitesi üzerine doğrudan su püskürtmeyin.

Karbüratör ve Motor Hızı

Karbüratör ve motor hızı üzerinde hiçbir zaman oynama yapmayınız. Karbüratör ayarı fabrikada birçok koşulda verimli bir şekilde çalışacak şekilde ayarlanmıştır. Motor hızını arttırmak için regülatör yayına, bağlantılara veya diğer parçalara dokunmayın. Herhangi bir ayar gerektiğinde servis için Briggs & Stratton Yetkili Servis Bayine başvurun.

DİKKAT Ekipman üzerine takılı olan motor için azami hızı ekipmanın üreticisi belirler. Bu hızı **aşmayın**. Ekipman için olan azami hızdan emin değilseniz veya fabrikada hızın ne şekilde ayarlandığını bilmiyorsanız, destek için Briggs & Stratton Yetkili Servis Bayine başvurun. Ekipmanın güvenli ve doğru çalıştırılması için motor hızının sadece kalifiye bir servis teknisyeni tarafından ayarlanması gerekir.

Buji bakımı

Şekle bakınız: 7

Sentille aletiyle (B) tırnak aralığını (A, Şekil 7) kontrol edin. Gerekirse, aralığı yeniden ayarlayın. Bujiyi monte edin ve tavsiye edilen torka sıkın. Aralık ayarı veya tork değeri için **Özellikler** bölümüne bakın.

Not: Bazı bölgelerde, yerel kanun ateşleme sinyallerini bastırması için rezistör buji kullanılmasını gerektirir. Eğer motorun orijinalinde rezistörlü buji varsa, parça değişikliğinde aynı tip buji kullanın.

Egzoz Sistemi Bakımı



UYARI

Çalışan motor ısı yayar. Motor parçaları, özellikle de egzoz aşırı ısınır.

Dokunma sonucu ciddi yanıklar meydana gelebilir.

Yaprak, çim, çalı vs. gibi yanabilir atıklar, alev alabilir.

- Dokunmadan önce egzozun, motor silindirin ve kanatçıkların soğumasını bekleyin.
- Biriken kirleri egzoz ve silindir alanından uzaklaştırın.

- Motorun egzoz sisteminde düzenli bakım ve kontrolü yapılan kıvılcım durdurucu yoksa, bu motoru herhangi bir ormanlık alanda, çalı veya çimlerin olduğu bir arazide kullanmak Kaliforniya Kamu Kaynakları Kanunu'nun 4442 sayılı yasasına aykırıdır. Diğer eyaletler ve federal bölgeler benzeri yasalara sahip olabilir. Bu motorun egzoz sistemi için tasarlanmış bir kıvılcım tutucu almak için orijinal cihaz üreticisine, perakendeciye veya bayiye başvurun.

Biriken kirleri egzoz ve silindir alanından uzaklaştırın. Egzozda çatlak, korozyon veya diğer hasarların olup olmadığını kontrol edin. Varsa, kıvılcım tutucuyu sökün, hasar veya karbon tıkanması olup olmadığını kontrol edin. Hasar varsa, çalıştırmadan önce yedek parçaları monte edin.



UYARI

Yedek parçalar orijinal parçalarla aynı tasarımda olmalı ve aynı konumlara yerleştirilmelidir. Farklı parçalar orijinal parçalarla aynı işlevi görmeyebilir ve yaralanmalara sebep olabilir.

Motor Yağını Değiştirin

Bakınız şekil: 8, 9, 10, 11

Kullanılmış yağ tehlikeli bir atık maddedir ve uygun bir şekilde atılmalıdır. Evsel atığınızla birlikte çöpe atmayın. Geri dönüşüm/güvenli atık merkezleri için yerel yetkililere, servis merkezine, veya bayilere başvurun.

Yağın Boşaltılması

1. Motor kapalı fakat halen sıcakken, buji kablosunu sökün (D, Şekil 8) ve bujiden (E) uzakta tutun.
2. Yağ çubuğunu çıkartın (A, Şekil 9).

Yağ Boşaltma Tapası, varsa

1. Yağ boşaltma tapasını sökün (F, Şekil 10). Yağı bu işlem için onaylanmış bir kaba boşaltın.

Not: Yağ boşaltma tapalarından herhangi biri (G, Şekil 10) bu motorda bulunuyor olabilir.

2. Yağ boşaldıktan sonra, yağ boşaltma tapasını monte edin ve sıkın (F, Şekil 10).

Hızlı Yağ Boşaltma Çıkışı, varsa

1. Hızlı yağ boşaltma hortumunu (H, Şekil 11) motorun yan kısmından ayırın.
2. Yağ boşaltma kapağını döndürüp çıkartın (I, Şekil 11). Hızlı yağ boşaltma çıkışı (H) dikkatli bir şekilde uygun bir kaba (J) alçaltın.
3. Yağ boşaldıktan sonra, hızlı yağ boşaltma kapağını takın (I, Şekil 11). Hızlı yağ boşaltma hortumunu (H) motorun yan kısmına bağlayın.

Yağ Filtresi Değişimi, varsa

Bazı motorlarda yağ filtresi bulunur. Değişim aralıkları için, **Bakım Planına bakın**.

1. Yağı motordan boşaltın. **Yağı Boşaltma** kısmına bakın.
2. Yağ filtresini sökün (K, Şekil 9) ve doğru şekilde atığa çıkartın.
3. Yeni yağ filtresini takmadan önce yağ filtre contasını taze, temiz yağla yağlayın.
4. Yağ filtresini conta yağ filtresi adaptörüne temas edene dek elle takın, ardından 1/2 ila 3/4 tur döndürerek sıkın.
5. Yağ Ekleyin. **Yağ Ekleme** kısmına bakın.
6. Motoru çalıştırıp bir süre bekleyin. Motor ısındığında, sızıntıları kontrol edin.
7. Motoru stop edin ve yağ seviyesini kontrol edin. Doğru seviye kontrol çubuğu üzerindeki tam dolu işaretinin üzeridir (B, Şekil 9).

Yağ Ekleme

- Motorun düz olduğundan emin olun.
- Yağ doldurma alanını tamamen temizleyin.
- Yağ kapasitesi için **Spesifikasyonlar** bölümüne bakın.

1. Yağ çubuğunu (A, Şekil 9) çıkartın ve temiz bir bezle silin.
2. Motor yağ doldurma ağzından yavaşça yağ doldurun (C, Şekil 9). **Aşırı doldurmayın**. Yağı doldurduktan sonra, bir dakika bekleyin ve ardından yağ seviyesini yeniden kontrol edin.

Not: Varsa, hızlı yağ boşaltma çıkışından yağ eklemeyin (H, Şekil 11).

3. Kontrol çubuğunu yerine takın ve sıkıştırın (A, Şekil 9).

- Yağ çubuğunu çıkartın ve yağ seviyesini kontrol edin. Doğru seviye kontrol çubuğu üzerindeki tam dolu işaretinin üzeridir (B, Şekil 9).
- Kontrol çubuğunu yerine takın ve sıkıştırın (A, Şekil 9).
- Buji kablosunu (D, Şekil 8) bujiye (E) bağlayın.

Hava Filtresi Bakımı

Bakınız şekil: 12, 13



Yakıt ve yakıt buharları son derece yanıcı ve patlayıcıdır.

Yangın veya patlama ciddi yaralanmalara veya ölümlere yol açabilir.

- Motoru hava temizleme sistemi (varsa) veya hava filtresi (varsa) olmadan asla çalıştırmayın ve kullanmayın.

DİKKAT Filtreyi temizlemek için basınçlı hava veya solvent kullanmayın. Basınçlı hava filtreye hasar verebilir ve solventler filtreyi eritir.

Servis şartları **Bakım Tablosuna** bakın.

Birçok modelde ya sünger ya da kağıt filtre bulunur. Bazı modellerde yıkanabilen ve yeniden kullanılabilen ön filtre mevcuttur. Bu kılavuzdaki resimleri sizin motorunuzdaki tipte karşılaştırın ve ona göre bakımını yapın.

Kağıt Hava Filtresi

- Kapak kolunu çekin (A, Şekil 12). Kapak kolunu motora doğru döndürün ve kapağı (B) çıkartın.
- Ön filtreyi (C, Şekil 12), varsa ve filtreyi (D) çıkartın.
- Kiri gevşetmek için filtreyi (D, Şekil 12) sert bir zemine hafifçe vurun. Filtre aşırı derecede kirlenirse, yeni bir filtreyle değiştirin.
- Ön filtreyi (C, Şekil 12) sıvı deterjan ve suyla yıkayın. Ön temizleyiciyi (C) havayla tamamen kurutun. **Ön temizleyiciyi** yağlamayın.
- Kuru ön temizleyiciyi (C, Şekil 12) ve filtreyi (D) motordaki yerine (E) yerleştirin.
- Kapak (B) üzerindeki dilleri (F, Şekil 12) üfleç gövdesindeki yuvalara (G) hizalayın.
- Kapak kolunu geri döndürün (A, Şekil 12) ve yerine kilitlemek için bastırın.

Kağıt Hava Filtresi

- Bağlantı elemanını(elemanlarını) (A, Şekil13) gevşetin.
- Kapağı (B, Şekil 13) çıkartın.
- Filtreyi çıkartmak için (C, Şekil 13), filtrenin uç kısmını kaldırın ve ardından filtreyi emiş kısmından çekin (D).
- Kiri gevşetmek için filtreyi (C, Şekil 13) sert bir zemine hafifçe vurun. Filtre aşırı derecede kirlenirse, yeni bir filtreyle değiştirin.
- Ön temizleyiciyi (E, Şekil 13), varsa filtreden (C) çıkartın.
- Ön temizleyiciyi (E, Şekil 13), varsa, sıvı deterjan ve suyla yıkayın. Ön temizleyiciyi havayla tamamen kurutun. Ön temizleyiciyi yağlamayın.
- Ön filtreyi (E, Şekil 13) varsa, filtreye (C) yerleştirin.
- Filtreyi (C, Şekil 13) emiş kısmına (D) takın. Filtrenin uç kısmını motor tabanına doğru bastırın. Filtrenin motor tabanında sağlam şekilde durduğundan emin olun.
- Hava filtresi kapağını (B, Şekil 13) takın ve bağlantı elemanı(larıyla) (A) sıkın.

Yakıt Sistemi Bakımı

Bakınız şekil: 14, 15



Yakıt ve yakıt buharları son derece yanıcı ve patlayıcıdır.

Yangın veya patlama ciddi yaralanmalara veya ölümlere yol açabilir.

- Yakıtı kıvılcım, açık alev, pilot alevi, ısı ve diğer tutuşturma kaynaklarından uzak tutun.
- Yakıt borularında, deposunda, kapağında ve bağlantı birimlerinde çatlak veya sızıntı olup olmadığını kontrol edin. Gerekirse değiştirin.
- Yakıt filtresini temizlemeden veya değiştirmeden önce, yakıt deposunu boşaltın veya yakıt durdurma valfini kapatın.
- Yakıt dökülürse motoru çalıştırmadan önce buharlaşmasını bekleyin.

- Yedek parçalar orijinal parçalarla aynı olmalı ve orijinal parçalarla aynı konumda monte edilmelidir.

Yakıt Filtresi, varsa

- Yakıt filtresini temizlemeden veya değiştirmeden önce, (A, Şekil 14), yakıt deposunu boşaltın veya yakıt durdurma valfini kapatın. Aksi takdirde, yakıt sızabilir ve yangın veya patlamaya yol açabilir.
- Kelepçelerin (C) üzerindeki tırnakları (B, Şekil 14) sıkılamak için pense kullanın, ardından kelepçeleri yakıt filtresinden (A) uzağa kaydırın. Yakıt borularını (D) çevirin ve yakıt filtresinden çekin.
- Yakıt hatlarında (D, Şekil 14) çatlak veya kaçak olmadığını kontrol edin. Gerekirse değiştirin.
- Yakıt filtresini (A, Şekil 14) orijinal cihaz yedek filtresiyle değiştirin.
- Yakıt hatlarını (D, Şekil 14) gösterildiği gibi kelepçelerle (C) bağlayın.

Yakıt Süzgeci, varsa

- Yakıt kapağını (A, Şekil 15) sökün.
- Yakıt süzgecini (B, Şekil 15) çıkartın.
- Yakıt süzgeci kirlenirse temizleyin veya değiştirin. Yakıt süzgecini değiştiriyorsanız orijinal yedek parça taktığınızdan emin olun.

Soğutma Sistemi Bakımı



Çalışan motor ısı yayar Motor parçaları, özellikle de egzoz aşırı ısınır.

Dokunma sonucu ciddi yanıklar meydana gelebilir.

Yaprak, çim, çalı vs. gibi yanabilir atıklar, alev alabilir.

- Dokunmadan önce egzozun, motor silindirin ve kanatçıkların soğumasını bekleyin.
- Biriken kirleri egzoz ve silindir alanından uzaklaştırın.

DİKKAT DİKKAT: Motoru temizlerken su kullanmayın Su yakıt sistemini kirlitebilir Motoru temizlemek için fırça veya kuru bir bez kullanın.

Bu, su soğutmalı bir motordur. Kir veya artıklar hava akışını kısıtlayabilir ve motorun aşırı ısınmasına neden olarak performans düşüşü ve motor ömrünün kısalması gibi sonuçlar doğurabilir.

- Hava giriş alanındaki kalıntıları temizlemek için fırça veya kuru bez kullanın.
- Bağlantıları, yayları ve kumandaları temiz tutun
- Egzozun etrafındaki ve arkasındaki alanı yanıcı kirlere temizleyin.
- Varsa, yağ soğutma kanatçıkları varsa kir ve kalıntı olmadığından emin olun.

Zaman içinde silindir soğutma kanatçıkları içinde artık maddeler birikebilir ve bu da motorun aşırı ısınmasına yol açabilir. Bu artık maddeler motoru kısmen sökmeden çıkartılamaz. **Bakım Planında** önerilen şekilde kontrol edilip temizlenmesi için Briggs & Stratton Yetkili Servis Bayine başvurun.

Saklama



Yakıt ve buharları son derece yanıcı ve patlayıcı niteliktedir.

Yangın ya da patlama, şiddetli yanıklara ya da ölüme neden olabilir.

Yakıtı veya Depoda Yakıt bulunan Ekipmanı Saklarken

- Fırınların, ocakların, su ısıtıcılarının veya pilot alevi olan diğer cihazların veya yakıt buharının ateşlenmesine sebep olabilecek diğer ateşleme kaynaklarından uzakta saklayın.

Yakıt Sistemi

Bkz. Şekil: 16

Motoru yatay şekilde saklayın (normal çalışma konumu). Yakıt deposuna (A, Şekil 16) yakıt doldurun. Yakıtın gelişmesine yer bırakmak için yakıt deposu boynundan (B) daha yukarıya kadar doldurmayın.

Yakıt 30 günün üzerinde depolandığında bozulabilir. Bayat yakıt sistemde veya karbüratör parçaları üzerinde asit ve yapışkanlık birikintisine neden olabilir. Yakıtı taze tutmak için

Briggs & Stratton Geliştirilmiş Formüllü Yakıt Katkısı ve Stabilizör kullanın, Briggs & Stratton gerçek servis parçalarının satıldığı yerlerde bulunabilir.

Talimatlara uygun şekilde yakıt stabilizatörü eklendiğinde motordaki benzini boşaltmaya gerek kalmaz. Depolamadan önce stabilizatörü yakıt sisteminde dolaştırmak için motoru iki (2) dakika süreyle çalıştırın.

Motordaki benzine yakıt stabilizatörü katılmamışsa, onaylanmış bir kaba boşaltılmalıdır. Motor benzin kalmadığından stop edinceye kadar motoru çalıştırın. Tazeligi korumak için depolama kabına yakıt stabilizatörü konması önerilir.

Motor Yağı

Motor hala sıcakken, motor yağını değiştirin. **Motor Yağını Değiştirme** kısmına bakın.

Sorun Giderme

Destek için, yerel bayinize başvurun veya **BRIGGSandSTRATTON.com** adresini ziyaret edin veya **1-800-233-3723** numaralı telefonu arayın (ABD'de).

Özellikler

Model: 210000	
Hacim	21.01 ci (344 cc)
Silindir Çapı	3.437 in (87,30 mm)
Strok	2.264 in (57,51 mm)
Yağ Kapasitesi - filtresiz	42 - 44 oz (1,24 - 1,30 L)
Yağ Kapasitesi - filtrelili	46 - 48 oz (1,36 - 1,40 L)
Buji Tırnak Aralığı	0.030 in (0,76 mm)
Buji Torku	180 lb-in (20 Nm)
Armatür Hava Aralığı	0.010 - 0.014 in (0,25 - 0,36 mm)
Emiş Valf Açıklığı	0.003 - 0.005 in (0,08 - 0,13 mm)
Egzoz Valf Açıklığı	0.005 - 0.007 in (0,13 - 0,18 mm)

Model: 310000	
Hacim	30.59 ci (501 cc)
Silindir Çapı	3.563 in (90,49 mm)
Strok	3.062 in (77,77 mm)
Yağ Kapasitesi - filtresiz	42 - 44 oz (1,24 - 1,30 L)
Yağ Kapasitesi - filtrelili	46 - 48 oz (1,36 - 1,40 L)
Buji Tırnak Aralığı	0.030 in (0,76 mm)
Buji Torku	180 lb-in (20 Nm)
Armatür Hava Aralığı	0.010 - 0.014 in (0,25 - 0,36 mm)
Emiş Valf Açıklığı	0.003 - 0.005 in (0,08 - 0,13 mm)
Egzoz Valf Açıklığı	0.005 - 0.007 in (0,13 - 0,18 mm)

Motor gücü deniz yüzeyinin üzerindeki her 1000 fit (300 metre) için %3,5 ve 77° F (25° C)'nin üzerindeki her 10° F (5,6° C) için %1 azalır. Motor 15 dereceye kadar olan açılarda tatmin edici şekilde çalışır. Yokuşlarda güvenli kullanım sınırları için cihazın kullanma kılavuzuna bakın.

Bakım Parçaları - Model: 210000	
Bakım Parçası	Parça Numarası
Hava filtresi, Kağıt (bkz Şekil 13)	796032
Hava filtresi Ön temizleyici, Sünger (bkz. Şekil 13)	798911
Hava filtresi, Kağıt (bkz Şekil 12)	698413, 5079
Hava filtresi Ön temizleyici, Sünger (bkz. Şekil 12)	697292, 5079
Yağ - SAE 30 (20 oz, 0,6 L)	100005
Yağ - SAE 30 (48 oz, 1,4 L)	100028
Yağ Filtresi	492932
Geliştirilmiş Formüllü Yakıt Katkısı & Stabilizör	100117, 100120
Yakıt Filtresi - Yakıt pompası olmayan motor	394358, 5098
Yakıt Filtresi - Yakıt pompası olan motor	691035, 5065

Bakım Parçaları - Model: 210000	
Rezistör Bujisi	491055
Uzun Ömürlü Platin Buji	5066
Buji Anahtarı	89838, 5023
Buji Test Cihazı	19368

Bakım Parçaları - Model: 310000	
Bakım Parçası	Parça Numarası
Hava filtresi, Kağıt (bkz Şekil 13)	796031
Hava filtresi Ön temizleyici, Sünger (bkz. Şekil 13)	797704
Hava filtresi, Kağıt (bkz Şekil 12)	698083, 5077
Hava filtresi Ön temizleyici, Sünger (bkz. Şekil 12)	697015, 5077
Hava Filtresi, Yıkanebilir Yassı	697153, 5078
Yağ - SAE 30 (20 oz, 0,6 L)	100005
Yağ - SAE 30 (48 oz, 1,4 L)	100028
Yağ Filtresi, Standart - Siyah	492932
Yağ Filtresi, Yüksek Etkili - Sarı	795890
Yağ Filtresi, Yüksek Etkili - Turuncu	798576
Geliştirilmiş Formüllü Yakıt Katkısı & Stabilizör	100117, 100120
Yakıt Filtresi - Yakıt pompası olmayan motor	394358, 5098
Yakıt Filtresi - Yakıt pompası olan motor	691035, 6065
Rezistör Bujisi	491055
Uzun Ömürlü Platin Buji	5066
Buji Anahtarı	89838, 5023
Buji Test Cihazı	19368

Motor ve motor parçalarıyla ilgili tüm bakım ve onarım hizmetleri için Briggs & Stratton Yetkili servislerine başvurmanızı tavsiye ediyoruz.

Güç Değerleri: Münferit benzinli motor modellerinin toplam güç değeri SAE (Society of Automotive Engineers) kod J1940 Küçük Motor Güç ve Tork Değeri Belirleme İşlemi'ne göre etiketlenmiştir ve SAE J1995'e uygun anma değerine sahiptir. Etiketlerinde 'rpm' (dev/dk) yazan motorların tork değerleri 2600 dev/dk'da, diğerleri 3060 dev/dk'da; beygir gücü değerleri 3600 dev/dk'da alınmıştır. Toplam güç eğrileri www.BRIGGSandSTRATTON.COM adresinde görülebilir. Net güç değerleri egzoz ve hava temizleyici takılmış halde alınırken, toplam güç değerleri bu ekipmanlar olmadan alınır. Gerçek toplam motor gücü, net motor gücünden daha yüksek olacaktır ve diğer etkenlerin yanı sıra ortam şartlarından ve motorlar arası farklılıklardan etkilenecektir. Motorların bulunduğu geniş ürün yelpazesi göz önüne alındığında benzinli motor, herhangi bir motorlu ekipmanda kullanıldığında toplam anma gücünü üretemeyebilir. Bu fark, çeşitli motor bileşenleri (hava temizleyici, egzoz, şarj etme, soğutma, karbüratör, yakıt pompası vs.), uygulama sınırlamaları, ortam çalışma şartları (sıcaklık, nem, yükseklik) ve motorlar arası farklılıklar dâhil fakat bunlarla sınırlı olmamak üzere çok sayıda faktörden kaynaklanmaktadır. Üretim ve kapasite sınırlamalarından dolayı Briggs & Stratton bu motoru daha güçlü bir motorla değiştirebilir.

Garanti

Briggs & Stratton Motor Garantisi

Ocak 2017'den itibaren geçerlidir

Sınırlı Garanti

Briggs & Stratton aşağıda belirtilen garanti süresi boyunca malzeme veya işçilikten ya da her ikisinden kaynaklanan bir kusuru olan herhangi bir parçayı ücretsiz onarmayı veya değiştirmeyi garanti etmektedir. Bu garanti kapsamında onarım ya da değiştirme için gönderilen ürünlerin nakliye masrafları alıcıya aittir. Bu garanti aşağıda belirtilen süre ve koşullar çerçevesinde geçerlidir. Garanti hizmeti için BRIGGSandSTRATTON.COM adresindeki bayi bulma haritasını kullanarak en yakın Yetkili Servis Bayisini bulun. Müşteri Yetkili Servis Sağlayıcı ile irtibata geçmeli ve ürünün Yetkili Servis Sağlayıcı tarafından incelenip test edilmesi için uygun şartları sağlamalıdır.

Başka bir açık garanti yoktur. Anlaşılan garantiler belirli bir amaç için ticari elverişlilik ve uygunluk dahil aşağıdaki listede yazılı garanti süresi ile veya yasanın izin verdiği zamanla sınırlıdır. Dolaylı veya dolaysız hasarların sorumluluğu yasalardan belirlendiği ölçüde kapsam dışı tutulacaktır. Bazı devletler anlaşılan garantilerde garantinin süresine sınırlama getirilmesine izin vermemektedir ve bazı ülkeler önemsiz veya dolaylı hasarların hariç tutulmasına veya sınırlama getirilmesine izin vermemektedir. Bu nedenle sınırlamalar ve istisnalar sizin için geçerli olmayabilir. Bu garanti size eyaletten eyalete ve ülkeden ülkeye değişen bazı kanuni haklar verir ⁴.

Standart Garanti Koşulları 1, 2, 3

Marka / Ürün Adı	Tüketici Kullanımı	Ticari Kullanım
Vanguard™; Ticari Seriler	36 ay	36 ay
Dura-Bore™ Dökme Demir Kovanlı Motorlar	24 ay	12 ay
Tüm Diğer Motorlar	24 ay	3 ay

¹Bunlar bizim standart garanti koşullarımızdır, ama nadiren kitapçığın basım tarihinde henüz belirlenmemiş ilave garanti kapsamı olabilir. Motorunuzun güncel garanti koşulları için BRIGGSandSTRATTON.COM web sitesine gidin veya yetkili Briggs & Stratton Bayinize başvurun.

²Bir ticari alanda güç beslemesi için kullanılan bir ekipmandaki motorlar veya ticari amaçlarla kullanılan yedek güç jeneratörlerindeki motorlar için garanti yoktur. Yarışmalarda, ticari veya kiralık yarış pistlerinde kullanılan motorlar garanti kapsamı dışındadır.

³Yedek güç jeneratörlerindeki Vanguard için: Tüketici kullanımında 24 ay, ticari kullanım için garantisi yoktur. Ticari araçlardaki Vanguard için: Tüketici kullanımında 24 ay, ticari kullanımında 24 ay. Temmuz 2017'den önce üretim tarihine sahip Ticari Seriler için 24 ay tüketici kullanımı, 24 ay ticari kullanım.

⁴Avustralya'da - Ürünlerimiz Avustralya Tüketici Yasası uyarınca kapsam dışı tutulmayan garantiler ile birlikte gelmektedir. Büyük bir arıza için ürün değiştirme veya ücret iadesi ve makul olarak önceden tahmin edilebilen herhangi bir kayıp ya da hasar için tazminat hakkınız bulunmaktadır. Ayrıca ürünler kabul edilebilir kalitede olmadığında ve bir arıza büyük arıza niteliğinde olmadığında da ürünlerin değiştirilmesi ve onarılmasını talep etme hakkınız vardır. Garanti hizmeti için, BRIGGSandSTRATTON.COM adresindeki bayi arama fonksiyonunu kullanarak veya 1300 274 447 no'lu telefonu arayarak ya da salesenquires@briggsandstratton.com.au adresine e-posta göndererek veya Briggs & Stratton Australia Pty Ltd, 1 Moorebank Avenue, NSW, Australia, 2170 posta adresine yazarak en yakın Yetkili Servis Bayisini bulunuz.

Garanti süresi, ilk perakende veya ticari tüketici tarafından satın alındığı orijinal tarihten itibaren başlar. "Tüketici kullanımı" ile perakende tüketicisi tarafından mesken amaçlı konut içinde kişisel kullanım ifade edilmektedir. "Ticari kullanım" ticari, gelir elde etme veya kiralama amaçlı da dâhil olmak üzere, diğer tüm kullanımları kapsamaktadır. Bir motor bir defalık ticari kullanımın ardından, ticari kullanım motoru olarak kabul edilecektir ve bu garanti kapsamında ticari motor şartlarına tabi olacaktır.

Satın alma makbuzunuzu saklayın. Garanti servisinde istediği zaman ilk satın alma makbuzunuzu sağlayamamanız halinde ürünün üretim tarihi garanti süresini belirlemek için kullanılacaktır. Briggs & Stratton ürünlerinde garanti hizmeti almak için ürün kaydına gerek yoktur.

Garanti Kapsamı Hakkında Bilgi

Bu garanti sadece motorla ilgili arızalı malzeme ve/veya işçiliği kapsar, motorun monte edildiği cihazların değiştirilmesini veya iadesini kapsamaz. Rutin bakım, ayarlamalar, düzeltmeler, veya normal aşınma/yıpranmalar bu garanti kapsamına girmez. Benzer olarak, motorda değişiklik veya modifikasyon yapılmışsa, ya da motor seri numarası silinmiş veya sökülmişse garanti geçerli değildir. Bu garanti aşağıdakilerin neden olduğu motor hasarını veya performans sorunlarını kapsamamaktadır:

1. Orijinal Briggs & Stratton parçaları olmayan parçaların kullanımı;
2. Motorun yetersiz, kirlili veya hatalı nitelikteki yağla çalıştırılması;
3. Kirlili veya eski yakıt, %10'dan yüksek etanol içerikli mazot, veya sıvı petrol ya da doğal gazın orijinalde Briggs & Stratton tarafından bu yakıtlarla kullanıma göre tasarlanmamış/üretilmemiş motorlarda kullanımı;
4. Hava temizleyiciye iyi bakım yapılmaması veya yerine düzgün monte edilmemesi nedeniyle motora giren kirler;
5. Döner çim biçme makinesi bıçağına sert bir cismin çarpması, gevşek veya hatalı takılmış bıçak adaptörleri, çark veya diğer krank miline bağlı aksamlar, ya da aşırı gergin v kayışı;
6. Debriyajlar, transmisyonlar, ekipman kumandaları, vs. gibi Briggs & Stratton tarafından tedarik edilmeyen ilgili parça veya donanımlar;
7. Soğutma kanallarını ya da volan bölgesini kapayan veya tıkayan çim kırıntıları, kir ve artıklar, veya kemirgen yuvaları;
8. Aşırı hız, gevşek motor montajı veya dengesiz bıçak veya çarklar, ya da ekipman parçalarının krank miline yanlış bağlanmasından kaynaklanan aşırı titreşim;
9. Hatalı kullanım, rutin bakım, nakliye, taşıma veya depolama eksiklikleri veya hatalı motor montajı.

Garanti hizmeti yalnız Yetkili Briggs & Stratton Servisleri aracılığıyla verilmektedir. Size en yakın Yetkili Servis Merkezini BRIGGSandSTRATTON.COM internet adresinde yer alan Yetkili Servis arama haritasında veya 1-800-233-3723 nolu (ABD'de) telefonu arayarak bulabilirsiniz.

80004537 (Rev. C)



Not for
Reproduction