

ASSEMBLY INSTRUCTION

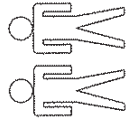
DE - MONTAGEANWEISUNG
 FR - INSTRUCTIONS DE MONTAGE
 DK - MONTAGEVEJLEDNING
 CZ - NÁVOD K MONTÁŽI
 ES - INSTRUCCIONES DE MONTAJE
 FI - ASENNUSOHJE

HR - UPUTE ZA MONTAŽU
 SE - MONTERINGSANVISNING
 SI - NAVODILA ZA MONTAŽO
 TR - MONTAJ TALIMATI
 NO - MONTASJEANVISNING
 IT - ISTRUZIONI DI MONTAGGIO

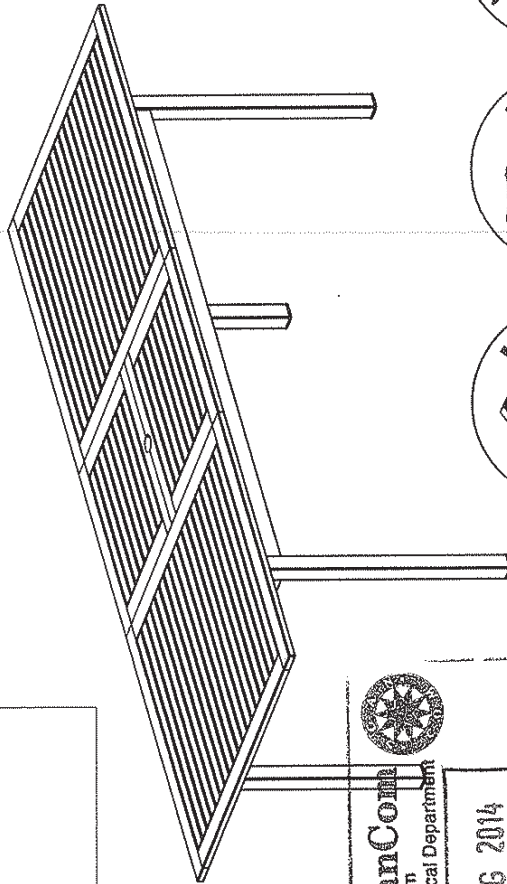
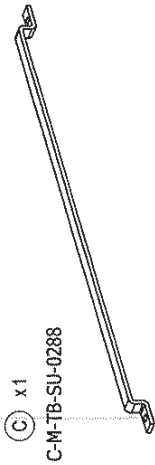
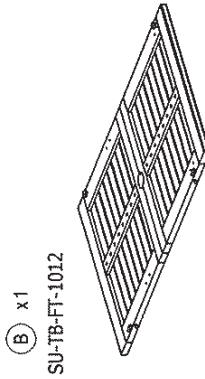
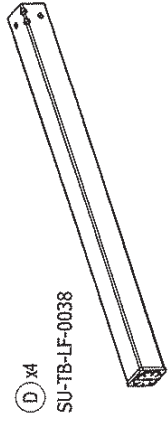
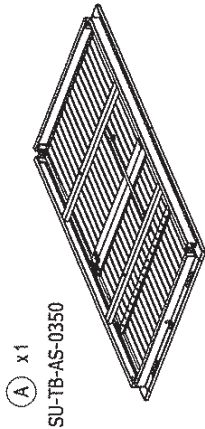
GR - ΟΔΗΓΙΑ ΣΥΝΑΡΜΟΛΟΓΗΣΗΣ
 NL - MONTAGE INSTRUCTIE
 PT - INSTRUÇÕES DE MONTAGEM
 PL - INSTRUKCJA MONTAŻU
 HU - SZERELÉSI UTASÍTÁS



25 min



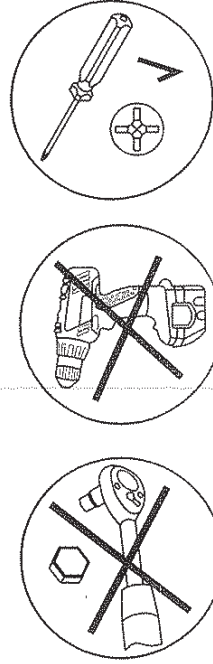
- | | | | | | |
|---|-----|--------------------------------|---|-----|--------------------------------|
| ① | x 6 | HW-ST-01-006
(4x15) | ⑥ | x 8 | HW-ST-07-062
(8.5x12.5x1.5) |
| ② | x 8 | HW-ST-01-136
(4x20) | ⑦ | x 2 | HW-ST-04-060
(49x30x6) |
| ③ | x 2 | HW-ST-02-021
(6 x 20) | ⑧ | x 2 | HW-PL-12-036
(70x18x12) |
| ④ | x 8 | HW-ST-02-143
(8x30) | ⑨ | x 1 | HW-ST-18-001
(4 x 98) |
| ⑤ | x 8 | HW-ST-07-044
(8.5 x 18 x 1) | ⑩ | x 1 | HW-ST-18-007
(13x88) |

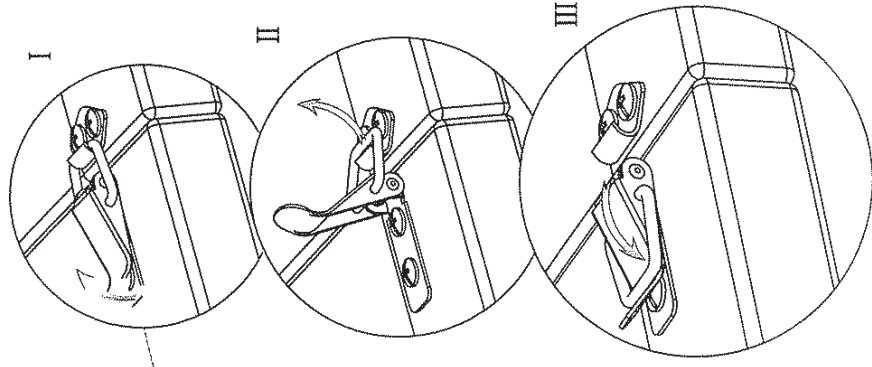
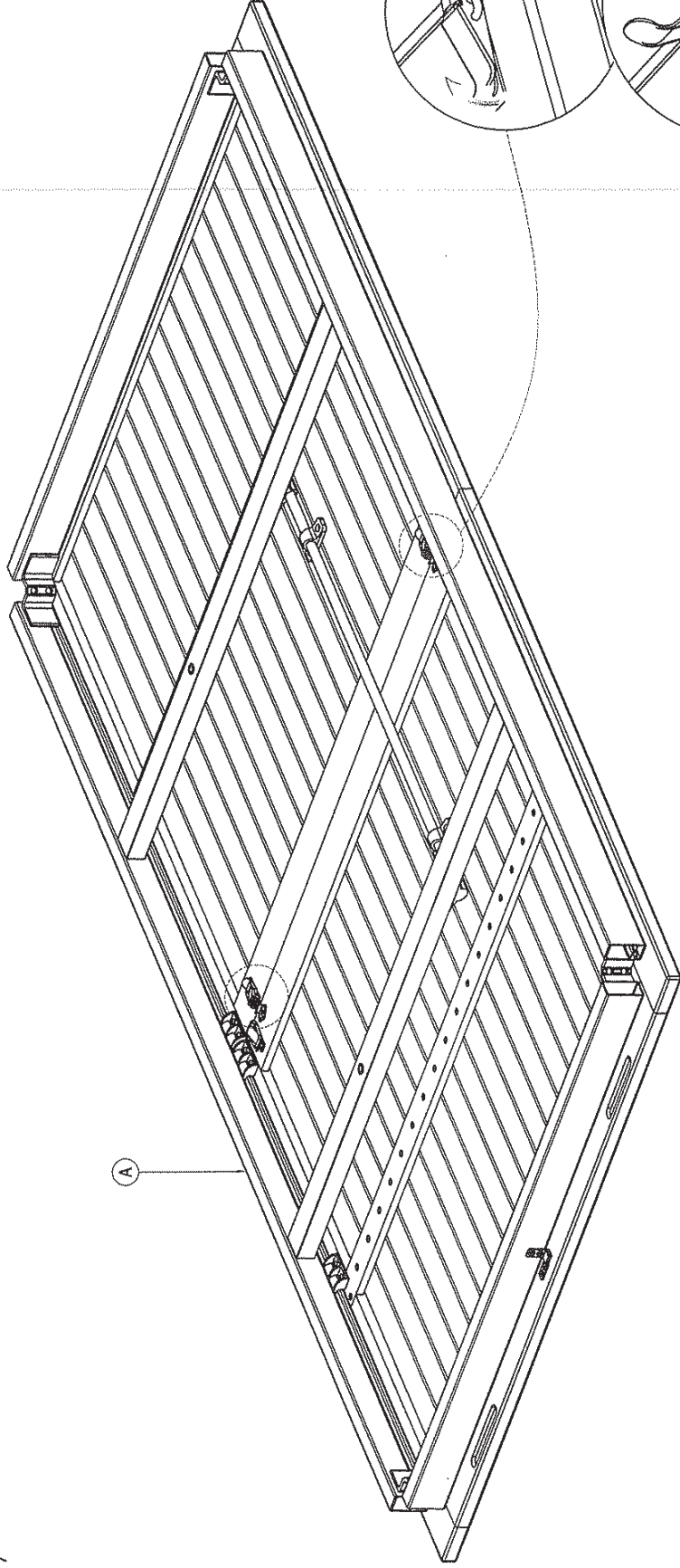



ScanCom
 Vietnam
 Technical Department

Issued day: 04 AUG 2014

Any query, please contact TD department

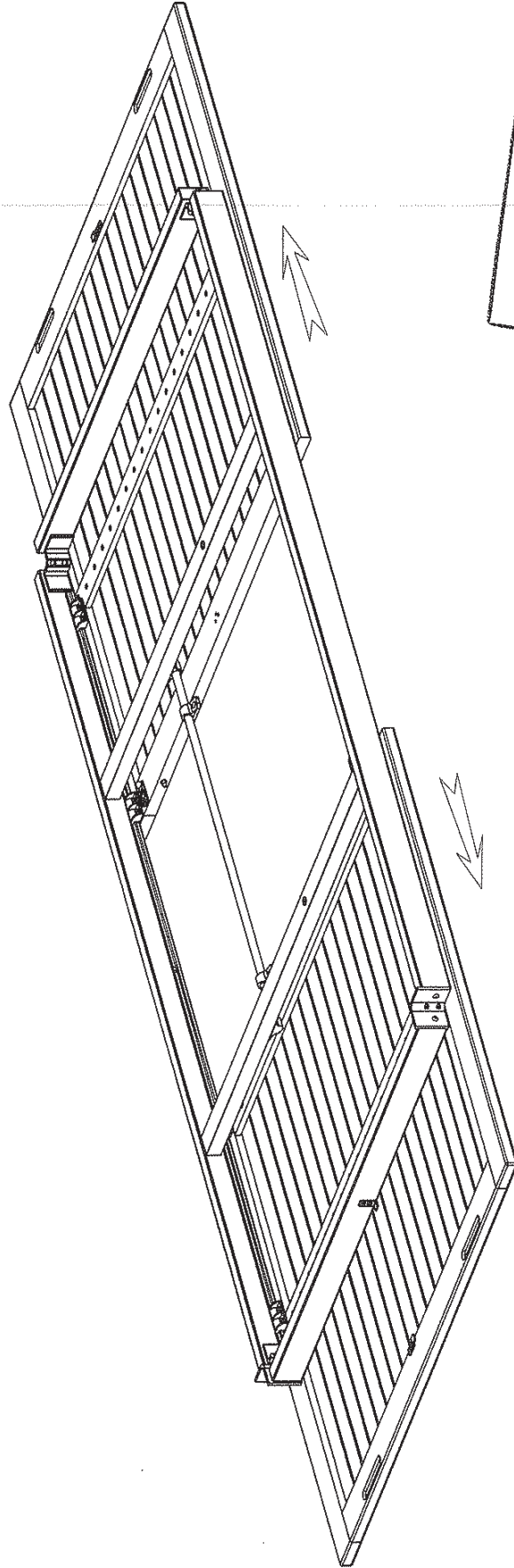






ScanCom
 Vietnam
 Technical Department

Issued day: 04 AUG 2014

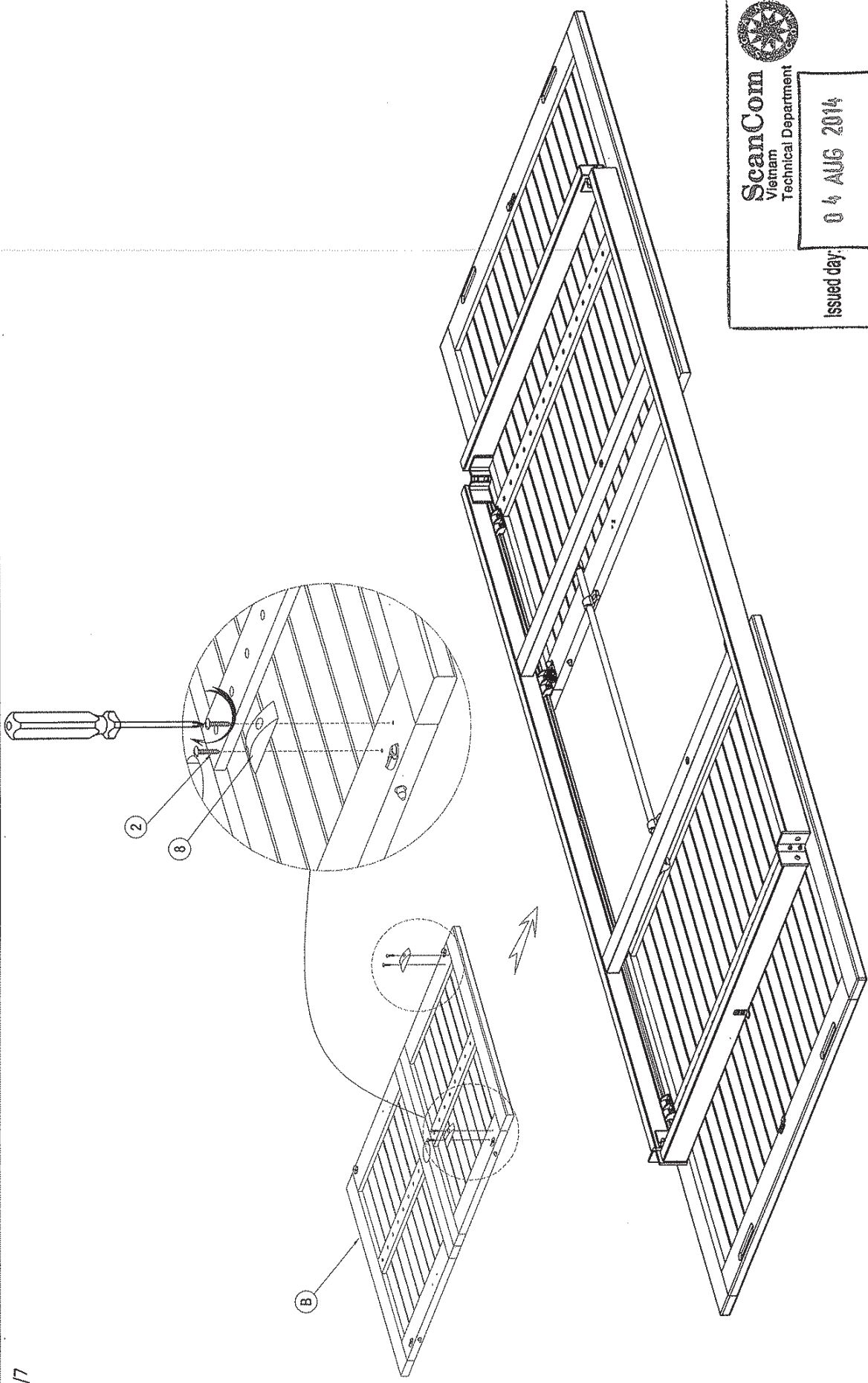
Any query, please contact TD department





ScanCom
Vietnam
Technical Department

Issued day: 04 AUG 2014

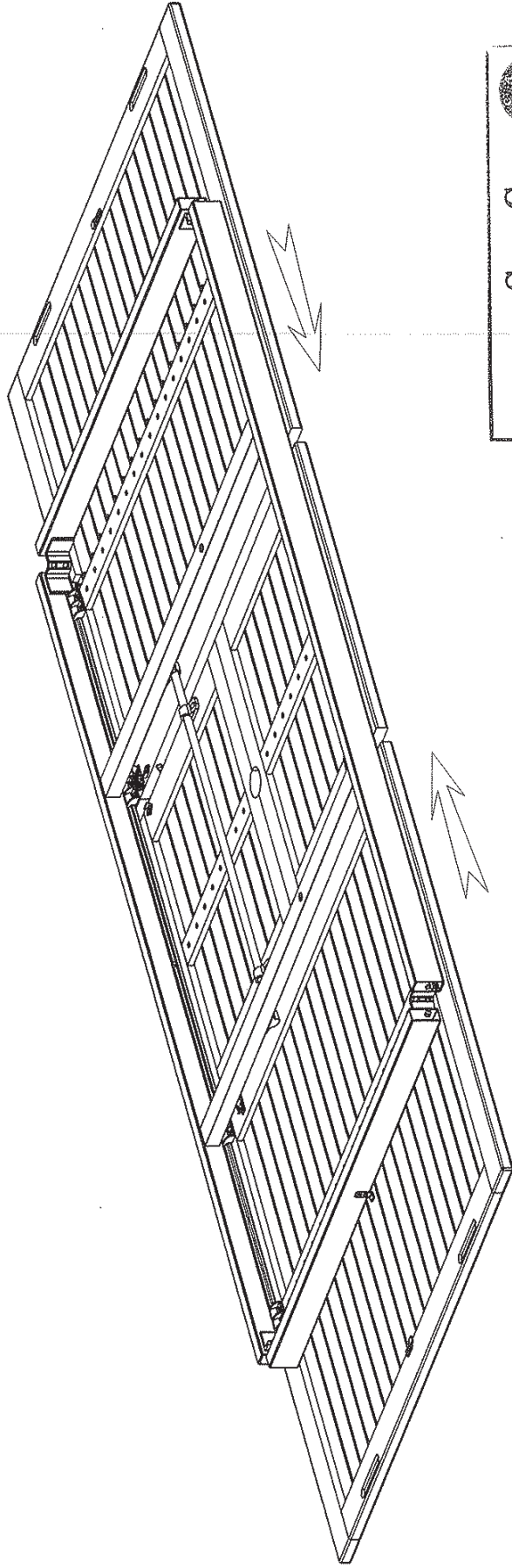
Any query, please contact TD department




ScanCom
Vietnam
Technical Department

Issued day: 04 AUG 2014

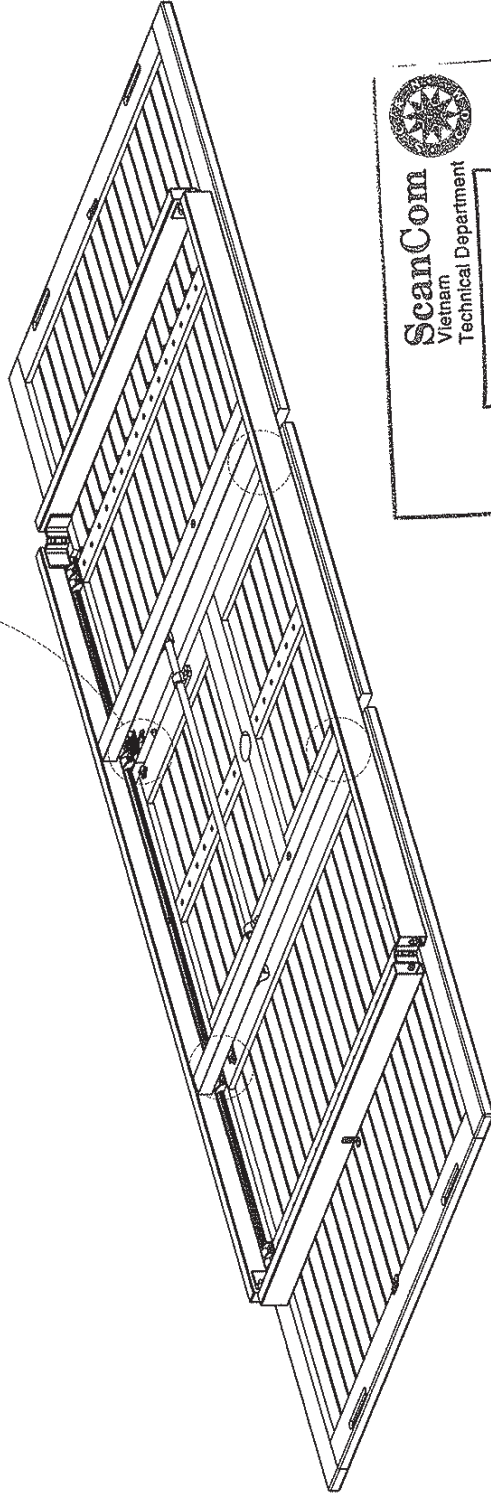
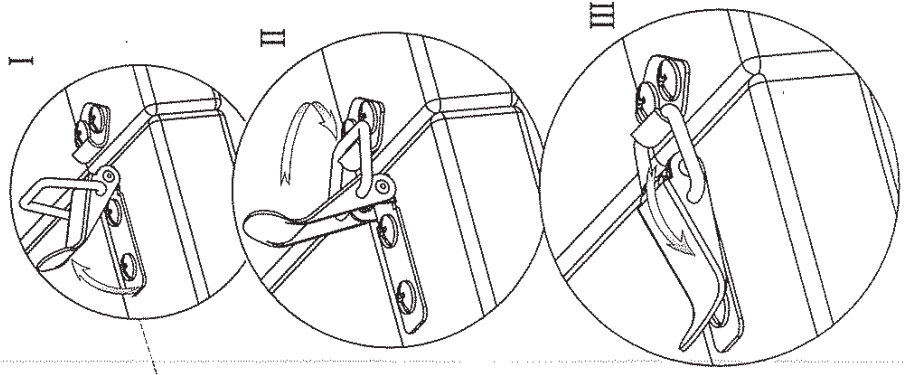
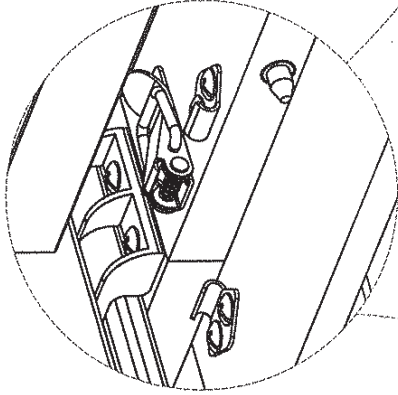
Any query, please contact TD department




ScanCom
Vietnam
Technical Department

Issued day: 04 AUG 2014


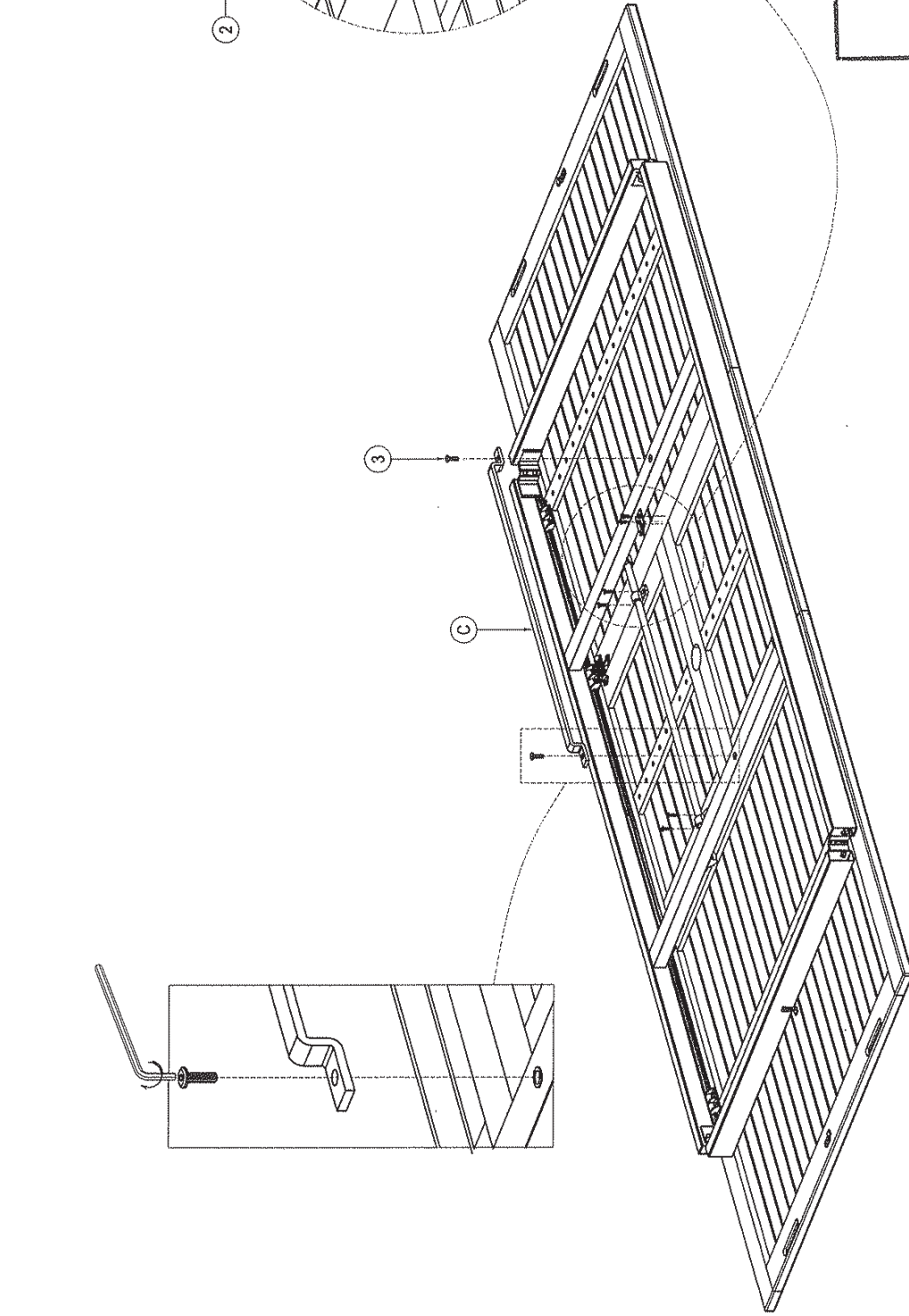
Any query, please contact TD department




ScanCom
Vietnam
Technical Department

Issued day: 04 AUG 2014

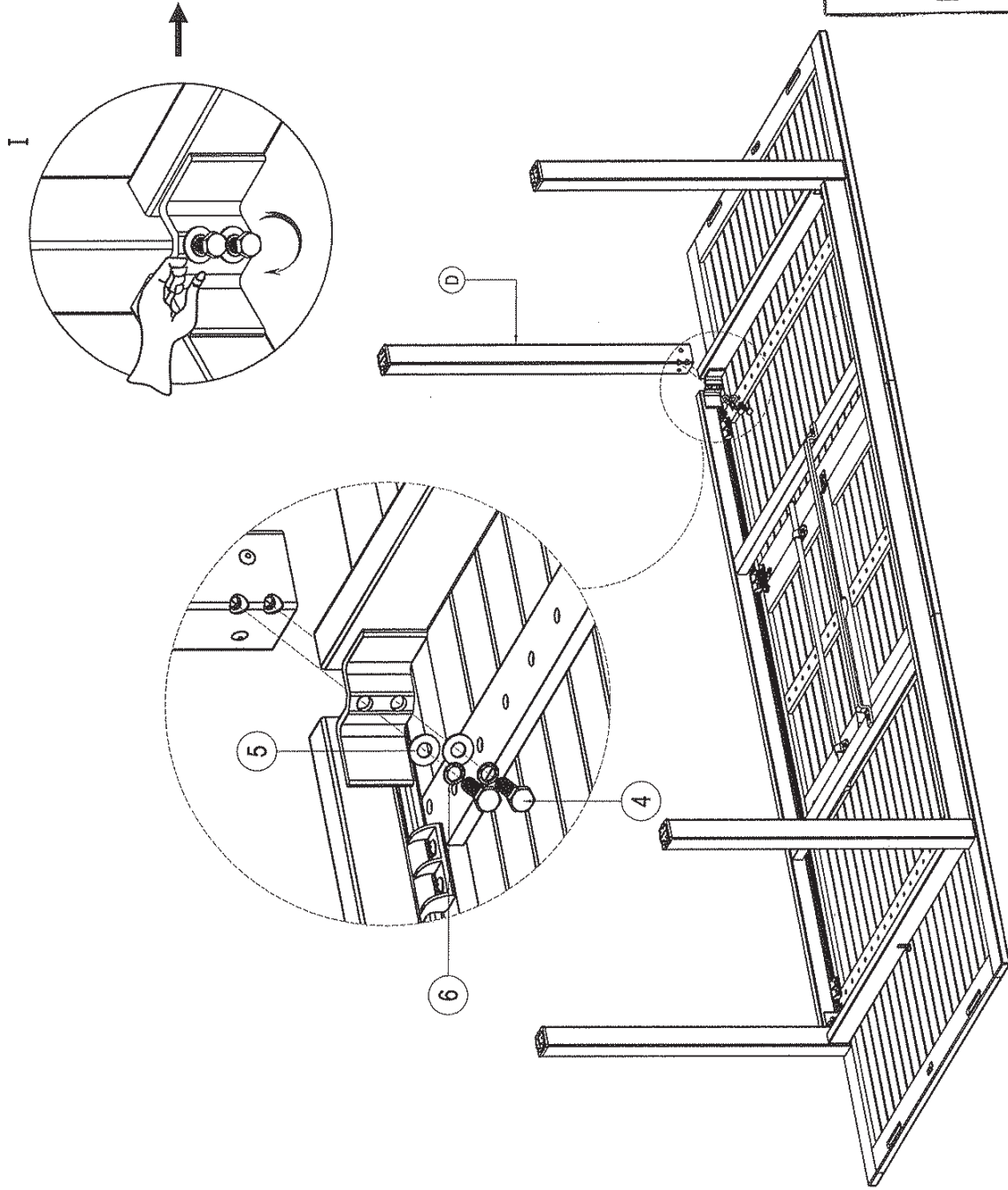
Any query, please contact TD department



ScanCom
Vietnam
Technical Department

Issued day: 04 AUG 2014

Any query, please contact TD department



Issued day: 04 AUG 2014

Any query, please contact TD department