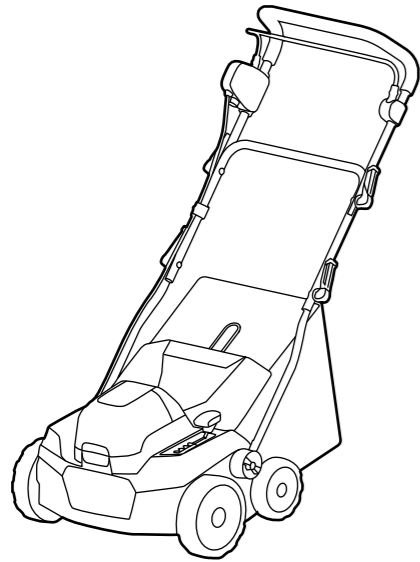


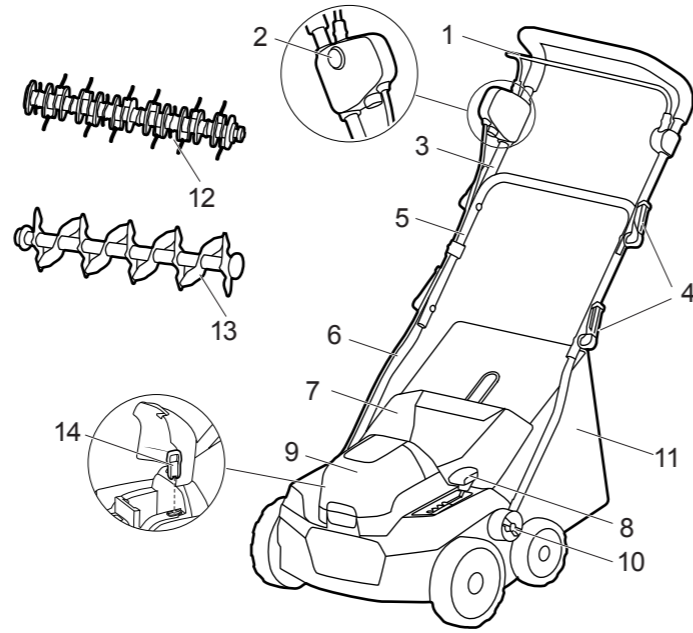
**40V DETHATCHER AND SCARIFIER**



Depending on the model purchased, packaging will contain different accessories and parts.  
Refer to the package for more details.

**KNOW YOUR MACHINE**

**1**

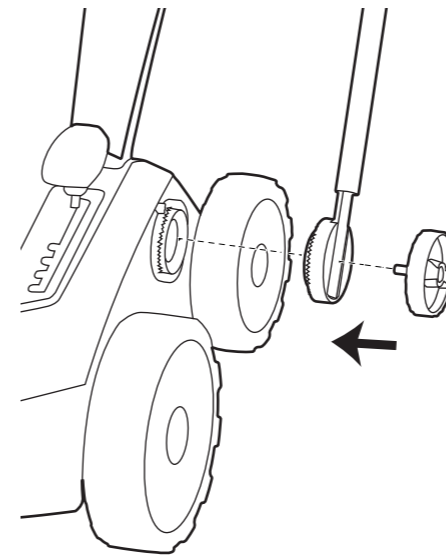


- |                        |                            |
|------------------------|----------------------------|
| 1. Power lever         | 8. Height adjustment lever |
| 2. Start button        | 9. Battery slot cover      |
| 3. Upper handle        | 10. Handle knob            |
| 4. Quick-release lever | 11. Collecting box         |
| 5. Middle handle       | 12. Tine cylinder          |
| 6. Lower handle        | 13. Blade cylinder         |
| 7. Rear discharge flap | 14. Safety key             |

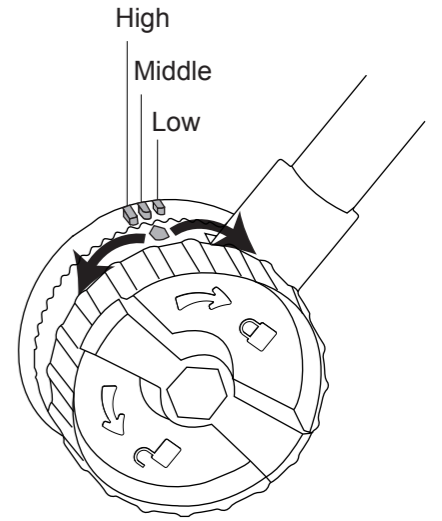
**INSTALLATION**

**2**

**Install the lower handle and adjust the lower handle height**

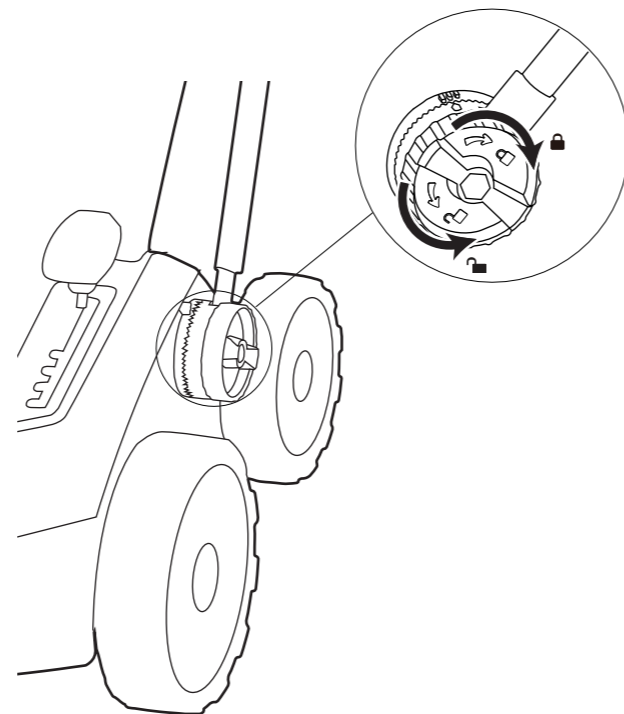


Remove the safety key before installation.



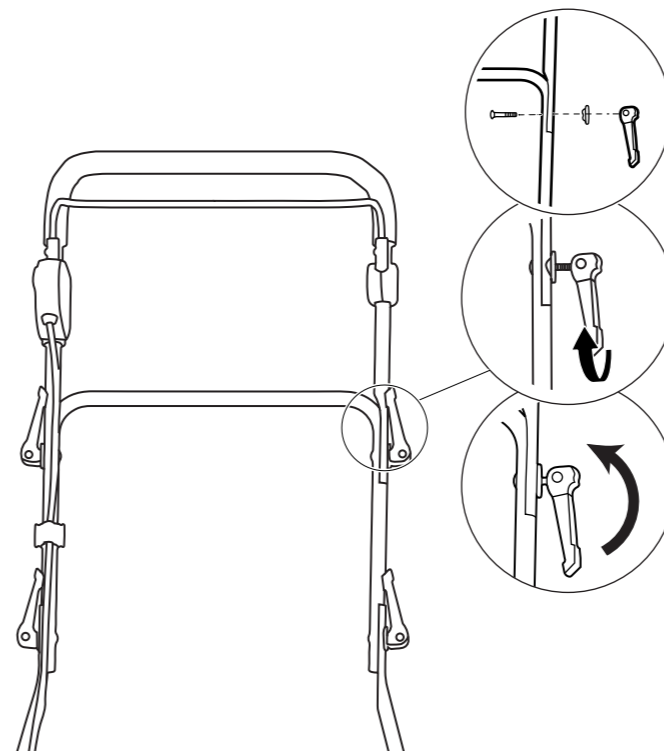
**4**

**Install the upper handle**

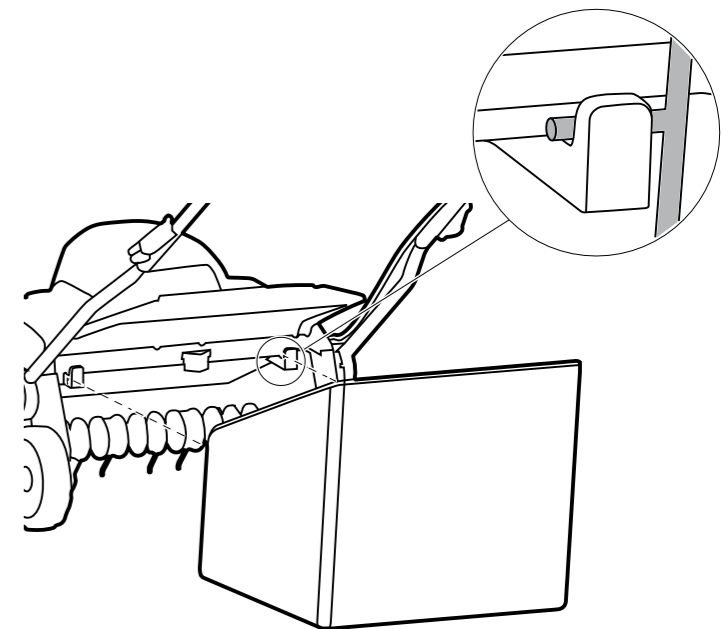


**5**

**Install the collecting box**

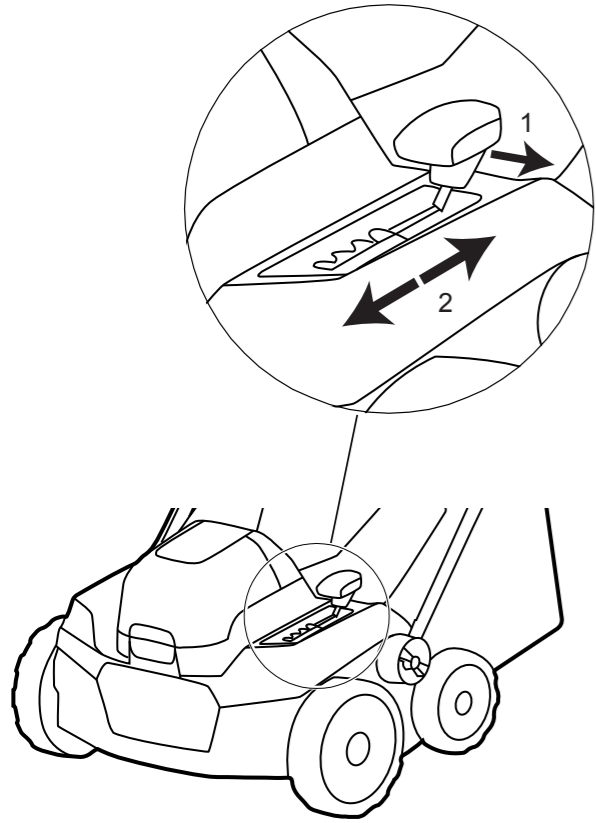


**6**



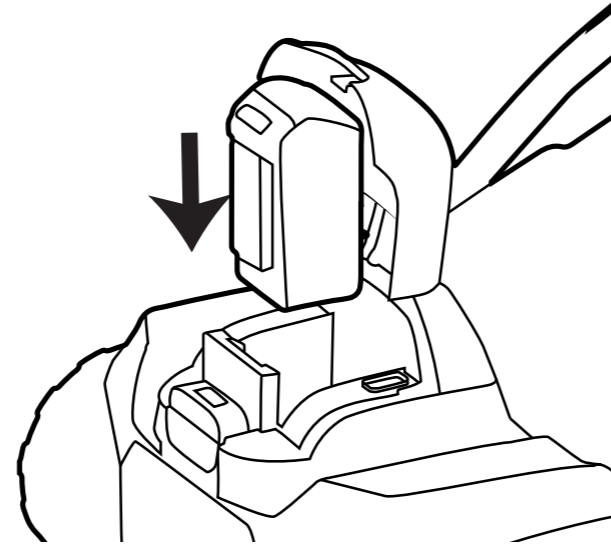
Adjust working height

7



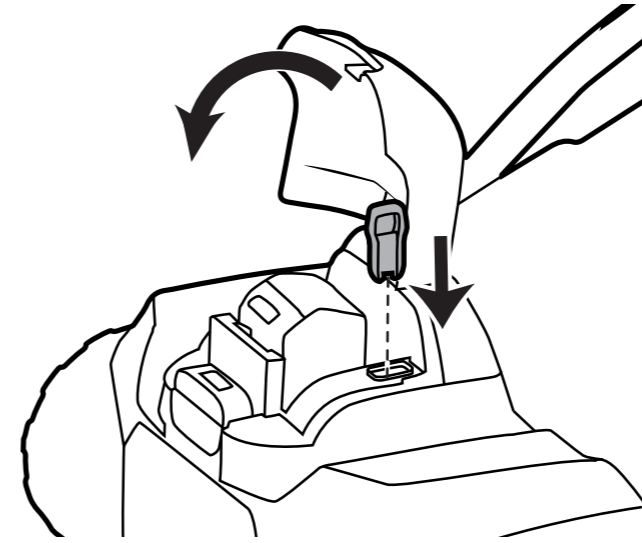
Install the battery pack

8



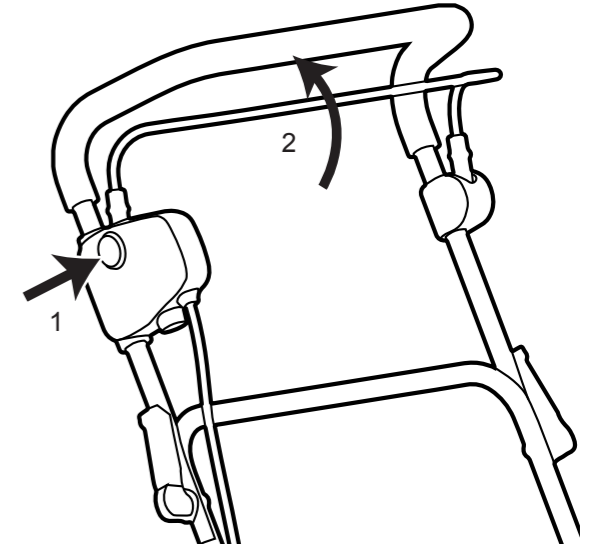
Install the safety key

9



OPERATION  
Start the machine

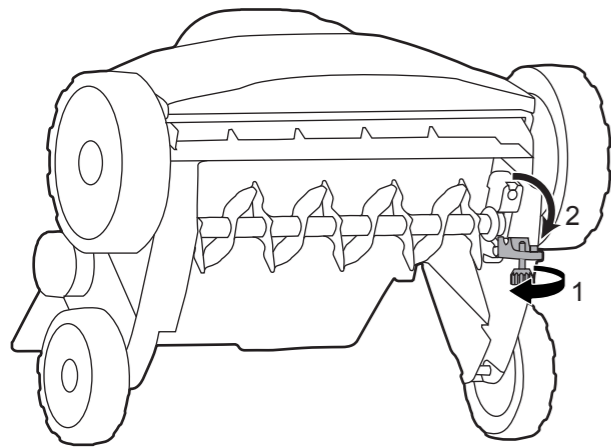
10



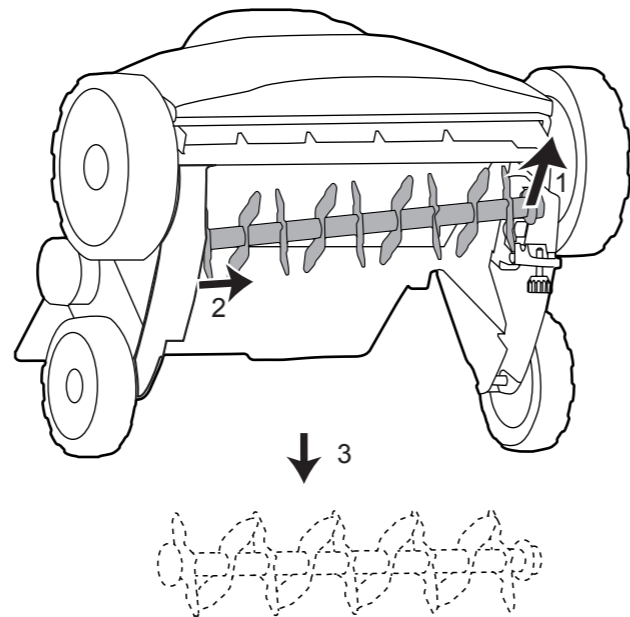
MAINTENANCE

Replace the cylinder

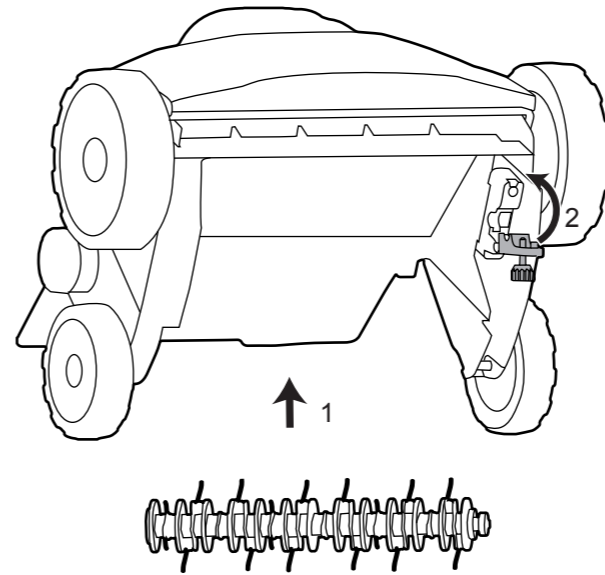
11



12



13



14

