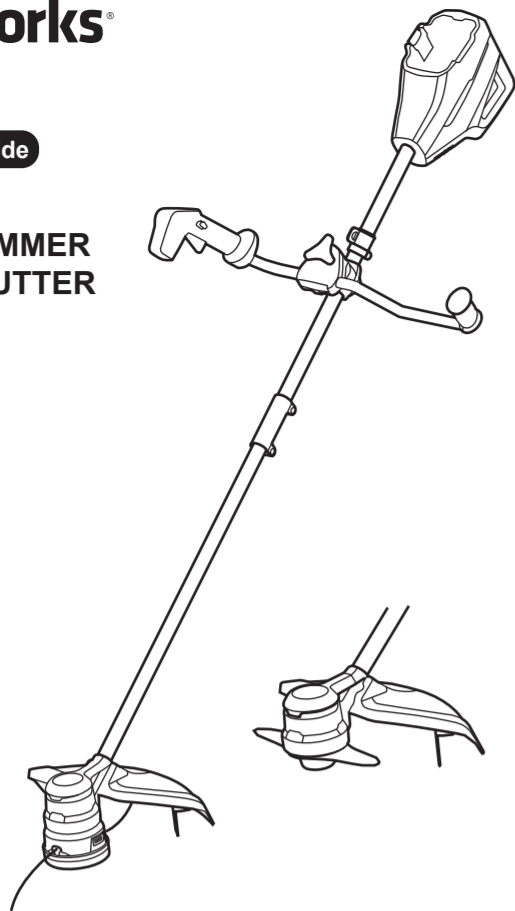
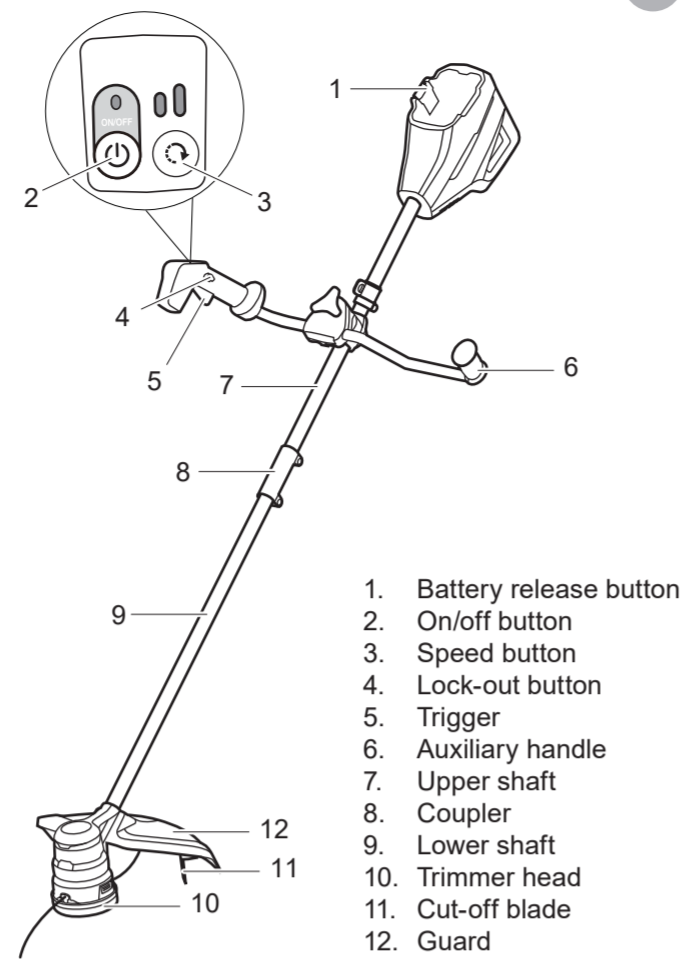


STRING TRIMMER & BRUSH CUTTER



Depending on the model purchased, packaging will contain different accessories and parts. Refer to the package for more details.

KNOW YOUR MACHINE

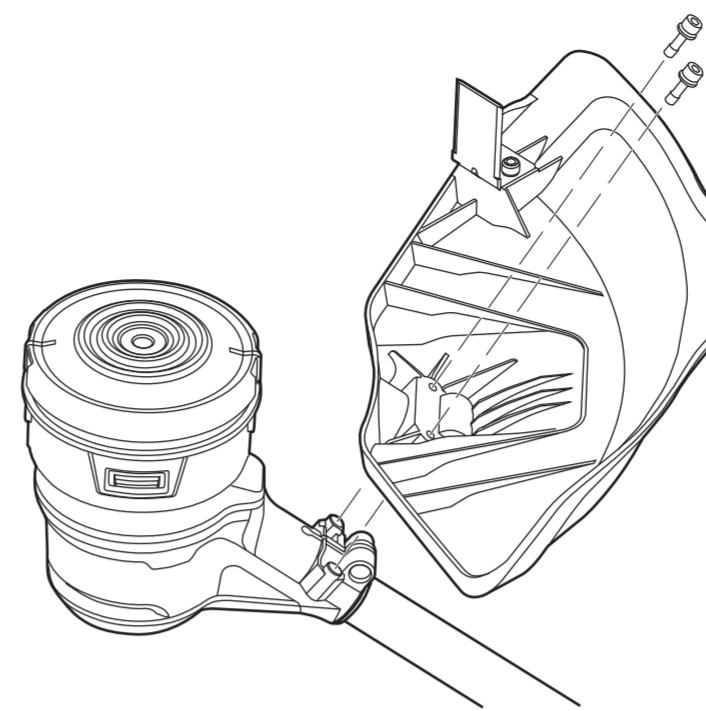


- 1. Battery release button
- 2. On/off button
- 3. Speed button
- 4. Lock-out button
- 5. Trigger
- 6. Auxiliary handle
- 7. Upper shaft
- 8. Coupler
- 9. Lower shaft
- 10. Trimmer head
- 11. Cut-off blade
- 12. Guard

1

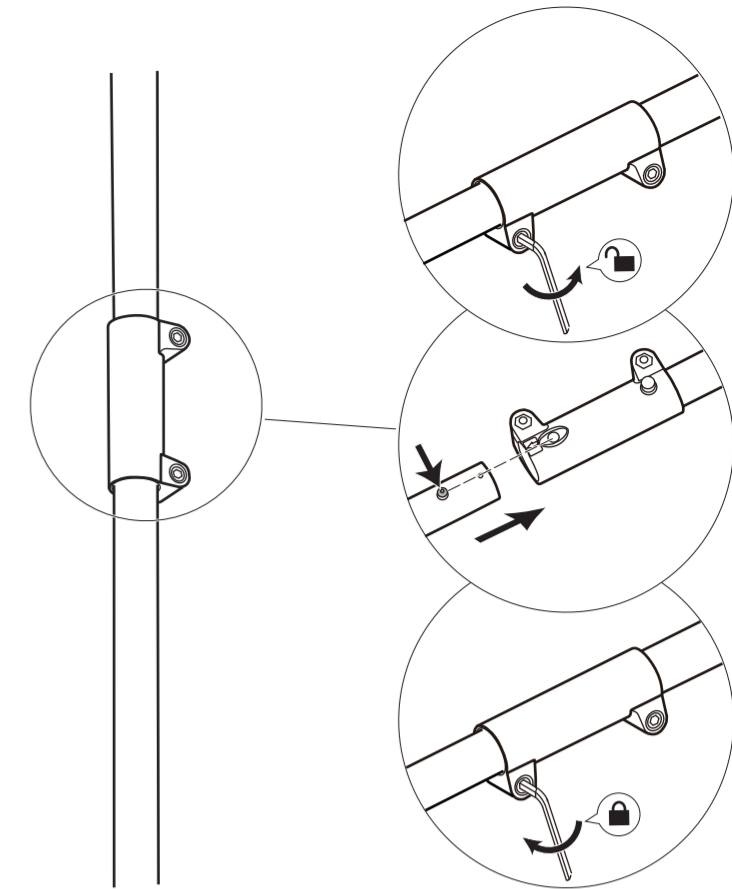
INSTALLATION

Attach the guard



2

Assemble the shaft



3



Europe
www.greenworkstools.eu



USA
www.greenworkstools.com

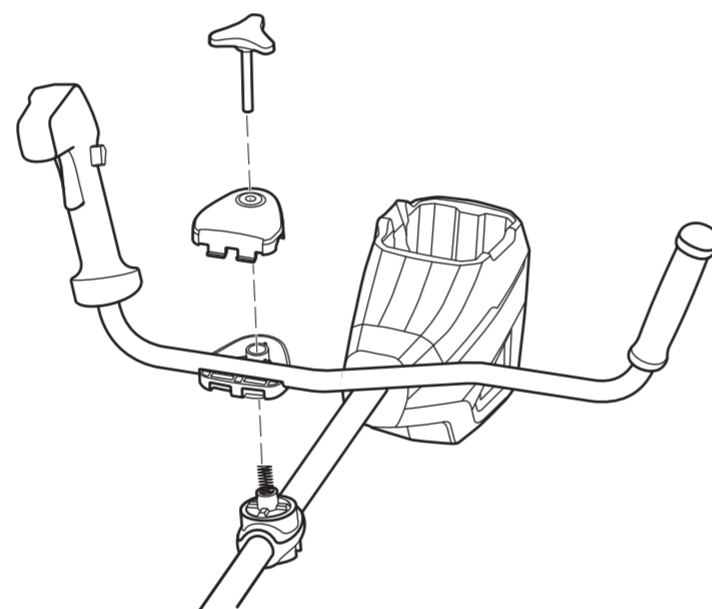


Canada
www.greenworkstools.ca

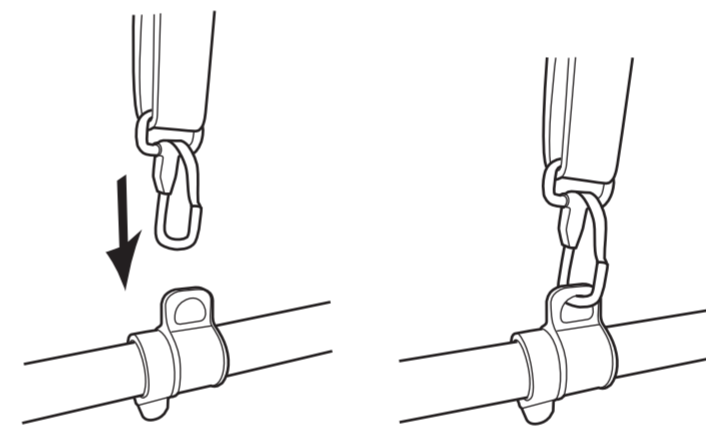
P0805099-00 Rev B

4

Attach the auxiliary handle



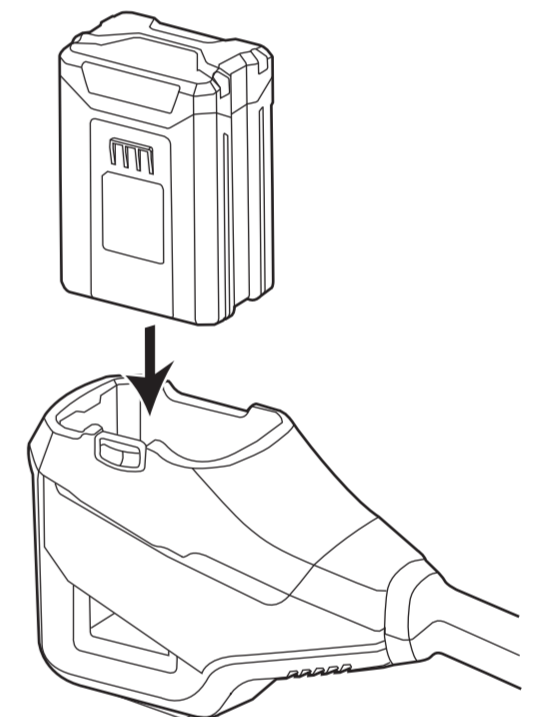
Attach the shoulder strap



5

OPERATION

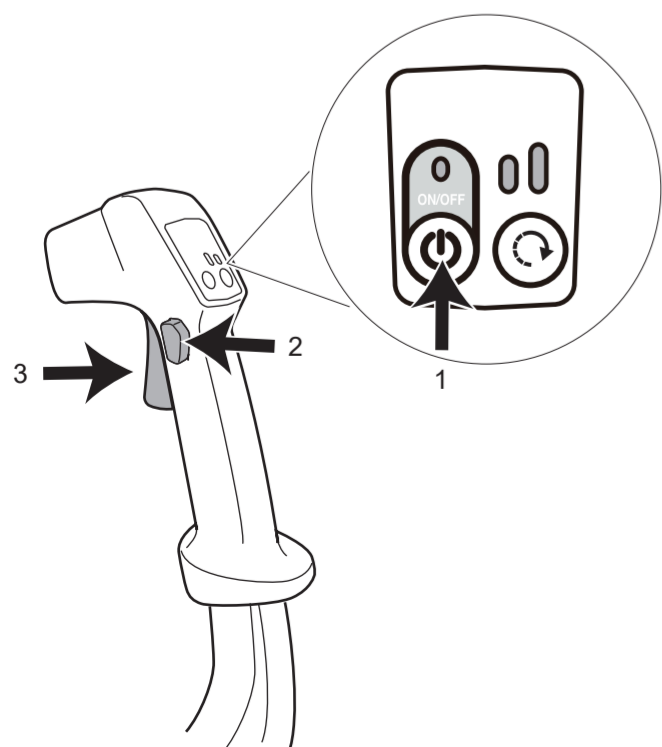
Install the battery pack



6

7

Start the machine



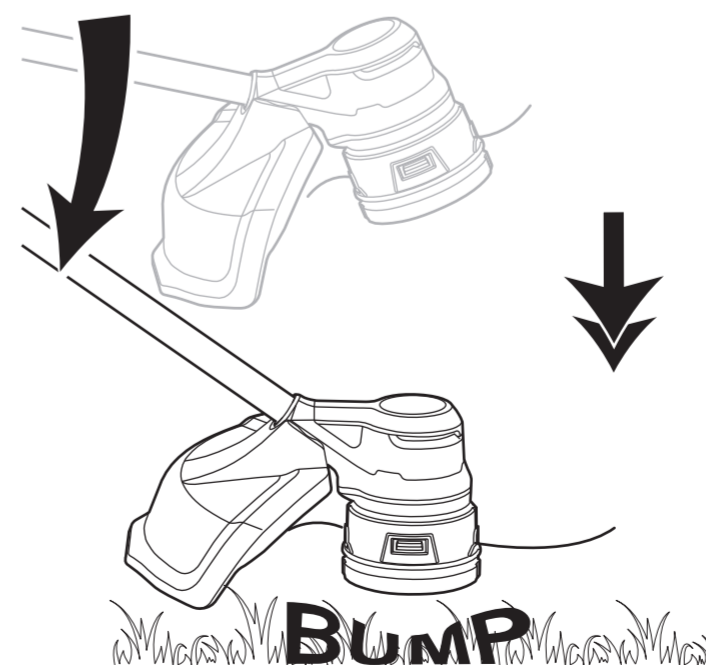
8

Operation tips



9

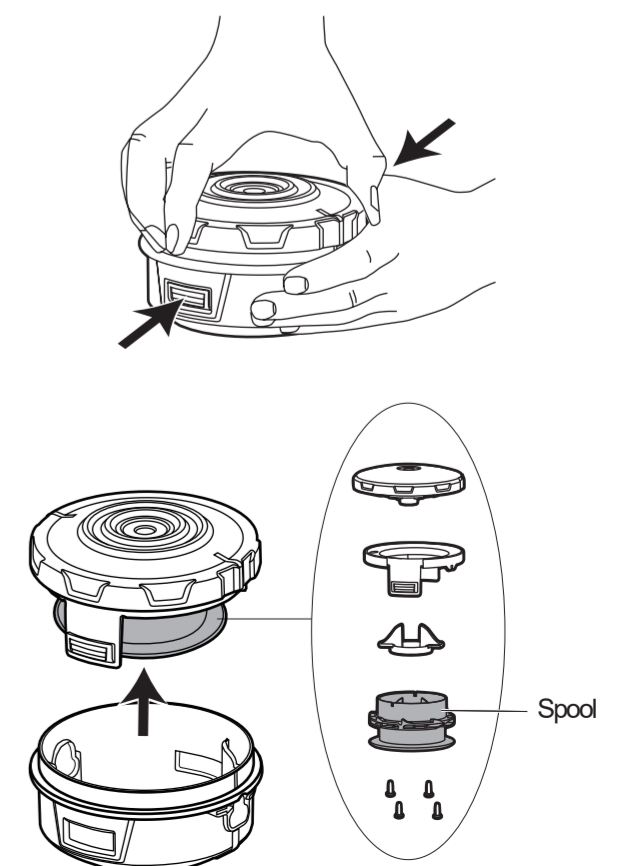
Adjust the length of the cutting line



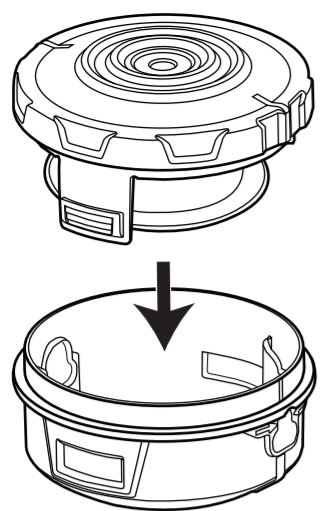
10

MAINTENANCE

Replace the spool

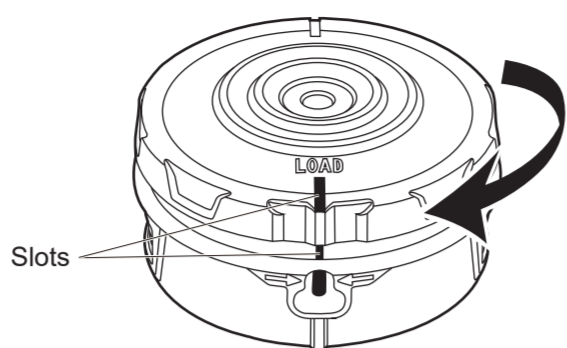


11

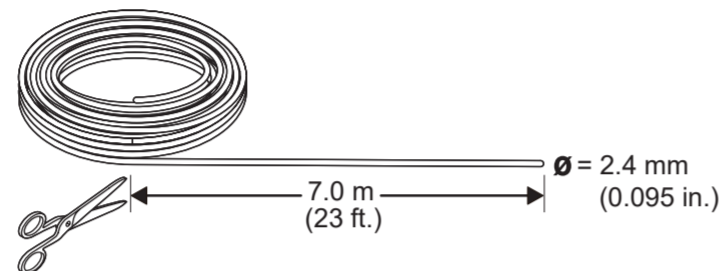


Install the cutting line

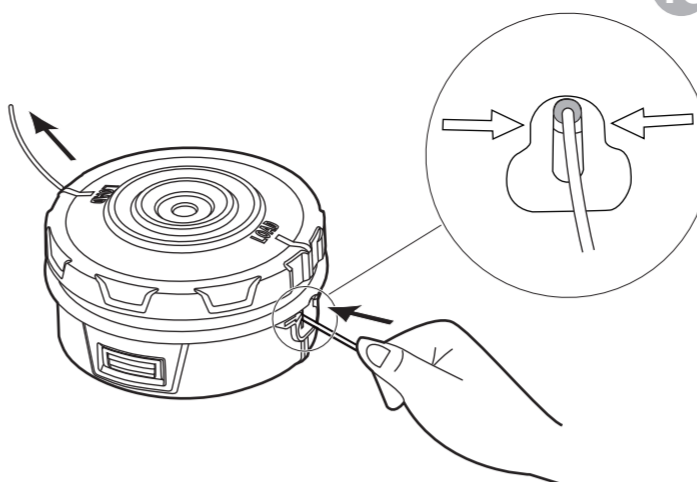
Rotate the spool cover to line up the slots.



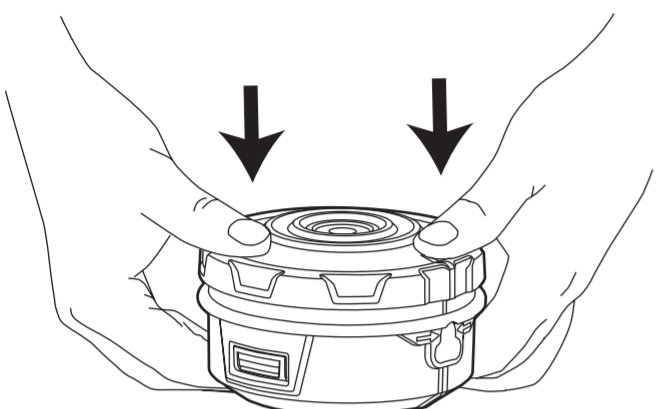
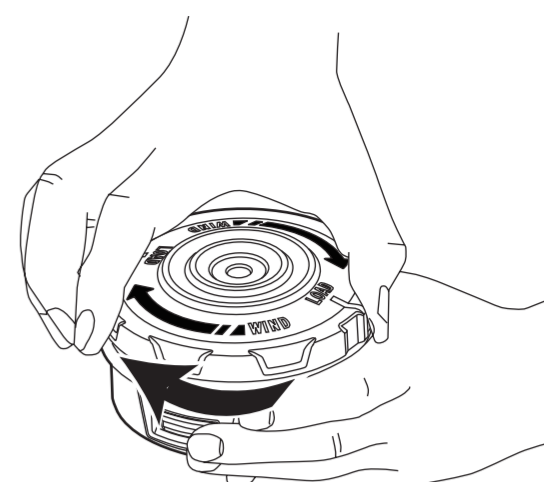
12



13



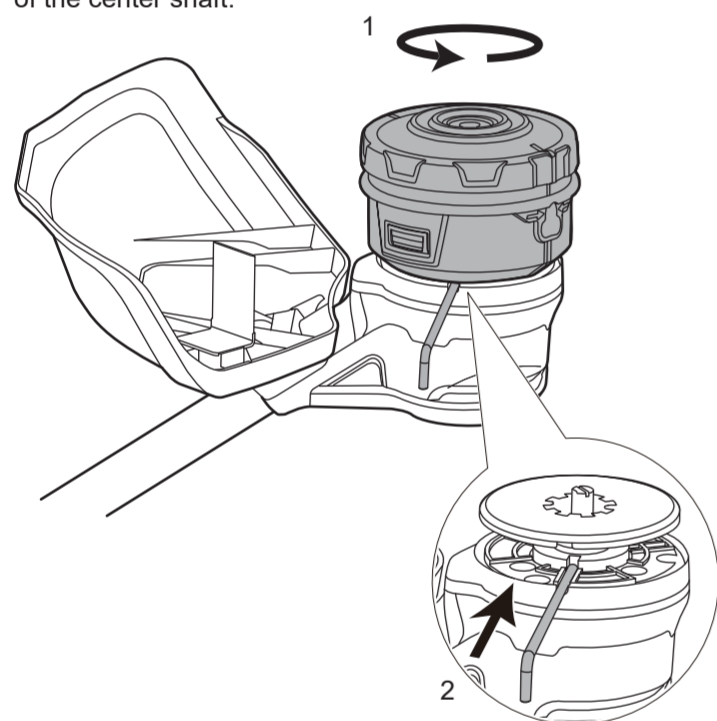
14



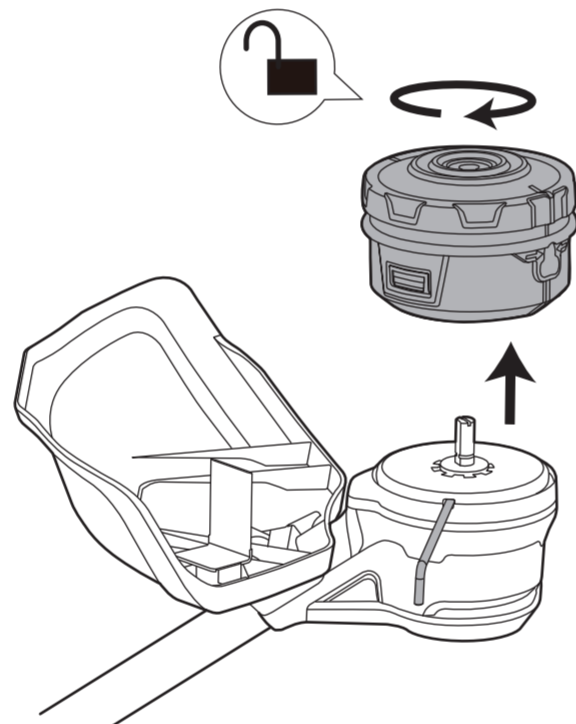
15

Change the string trimmer to a brush cutter

Put the metal rod in the specified angle transmission hole. Turn the trimmer head and push the metal rod until it engages one of the holes in the inner cup, blocking rotation of the center shaft.

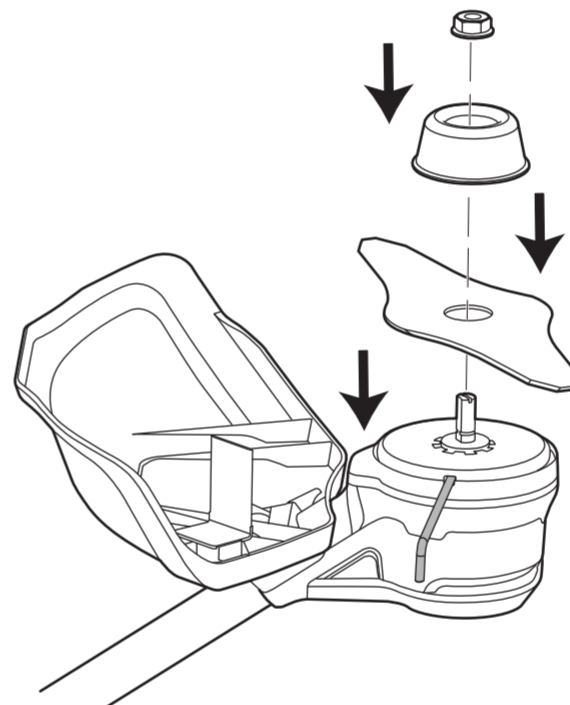


16

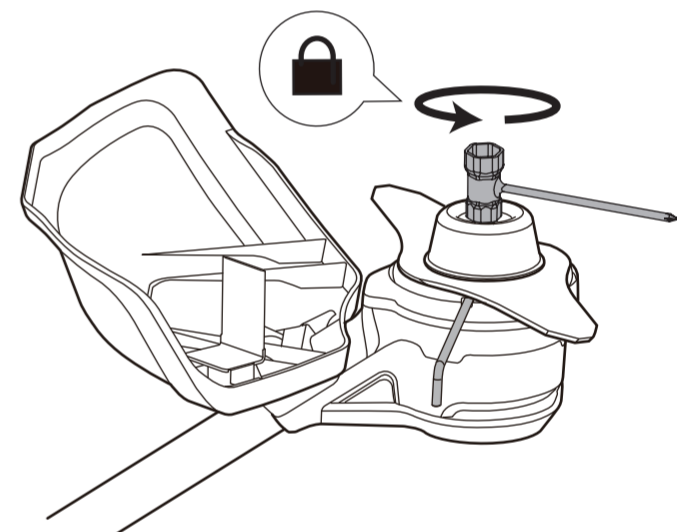


17

Make sure the blade and outer cup are in the center.

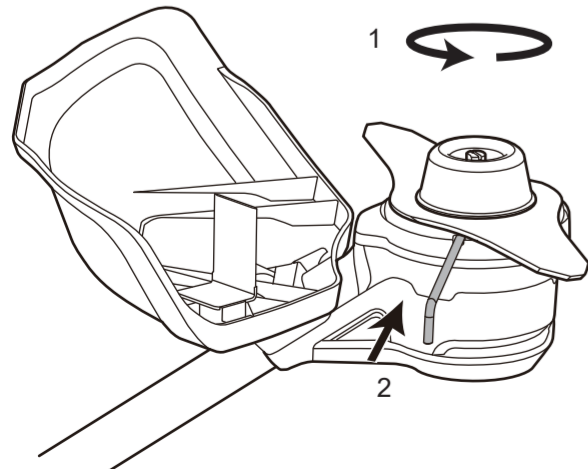


18

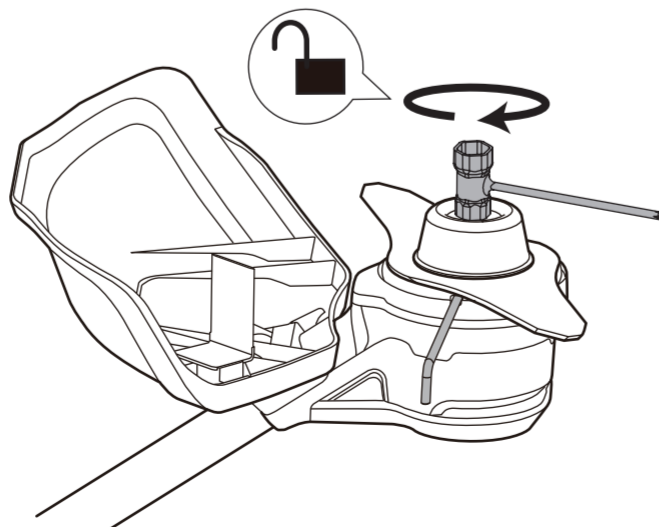


19

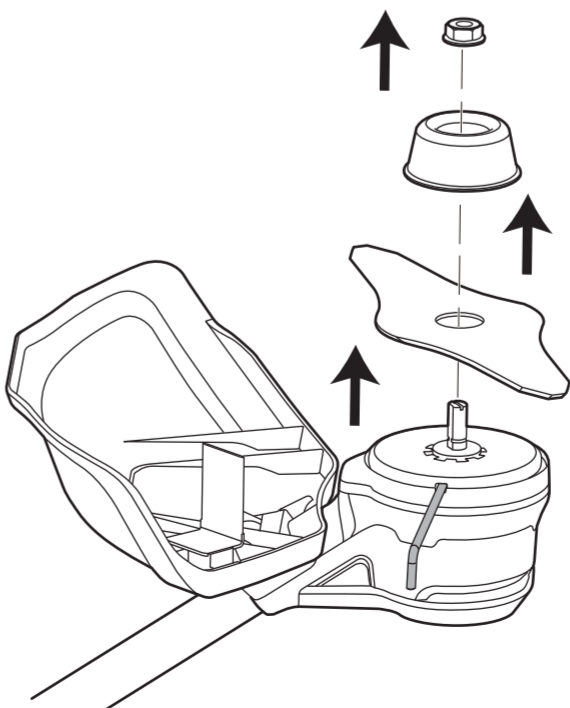
Change the brush cutter to a string trimmer



20



21



22

